

# CHAPTER 15

## INTEGRITY ALL ULTREX SERIES ROUND TOP

Unit Features .....	15.2
Min/Max Guidelines and Certified Sizes .....	15.3
Measurement Conversions .....	15.4
Standard Sizes: RT1 – True Half Circle .....	15.5
Standard Sizes: RT2 – True Half above Springline .....	15.6
Standard Sizes: RT6 – Eyebrow above Springline .....	15.8
Standard Divided Lite Options .....	15.10
Section Details .....	15.12
Mulling Guidelines and Mullion Detail .....	15.13
Reinforced Mullion Detail .....	15.14
Construction Details .....	15.15

**ATTENTION:**

- Specifications and technical data are subject to change without notice.
- Dimensions in parenthesis are in millimeters or square meters
- Allow 1/16" (2) tolerance on all measurements.
- For answers to technical questions about Integrity products you may call our Integrity Support Line: 1-800-587-2712.
- Website: [www.integritywindows.com](http://www.integritywindows.com)

## UNIT FEATURES

---

### FRAME:

The frame is made of a glass reinforced composite material. Composite frame depth is 3 3/32" (79), with 2" (51), jamb depth standard. Exterior colors are Stone White, Pebble Gray, Bronze, Evergreen, Cashmere or Ebony. Interior color is Stone White.

### INSTALLATION:

Nailing fin in standard with unit. Optional installation brackets for masonry applications are available. Optional pre-drilled holes for through jamb installation available.

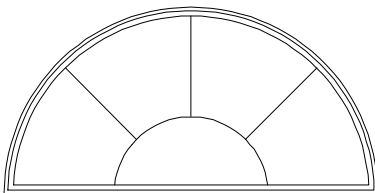
### GLAZING:

All units are manufactured with a 11/16" (17) IG with Low E2, E3 or E1 coatings including argon gas fill. Tempered glass and/or obscure glass are available as an option. All glass is of a select quality complying with ASTM C 1036. Insulating glass is manufactured and tested to pass level ASTM E 2190 and is IGCC certified. The glazing seal is a silicone bedding on both interior and exterior surfaces utilized in a sandwich style sash. STC/OITC values are available for 3.1/3.1 standard glass. Optional 3.1/4.7 STC/OITC Upgrade glass is available. STC and OITC ratings are tested in accordance with ASTM E 90-09. See the Product Performance chapter for values.

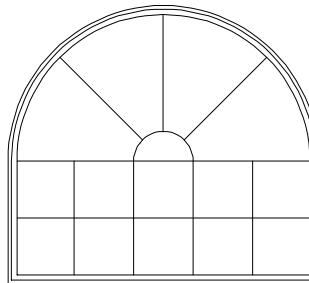
### GRILLES-BETWEEN-THE-GLASS:

Interior bar is 11/16" (17) with interior and exterior color to match unit. Available in closed hub with 3 spokes – 4 lite sunburst pattern.

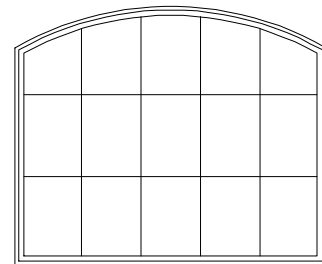
## ROUND TOP OPTIONS



IFRT 6030 - RT1



IFRT 5020 - RT2



IFRT 5036 - RT6

## Min/Max Guidelines and Certified Sizes

Minimum and Maximum Guidelines – Direct Glaze Round Tops												
Round Top Shape	Frame Size										Max Total Frame Area	
	Min Width		Min Height		Min Springline		Max Width		Max Height			
	in	mm	in	mm	in	mm	in	mm	in	mm	ft <sup>2</sup>	m <sup>2</sup>
RT1	29 1/2	(749)	14 3/4	(375)	N/A		95 1/2	(2426)	47 3/4	(1213)	N/A	N/A
RT2	29 1/2	(749)	26 1/4	(667)	11 1/2	(292)	71 1/2	(1816)	83 1/4	(2115)	35	(3)
RT6	29 1/2	(749)	12 1/2	(318)	11 1/2	(292)	95 1/2	(2426)	79 15/32	(2019)	35	(3)

Product	Air Tested to PSF	Water Tested to psf	Design Pressure (DP)	Certification Rating	Max Overall Width		Max Overall Height	
					in	mm	in	mm
Integrity Round Top	1.57	9.75	50	CW-PG50-FW	65	(1651)	65	(1651)
Integrity Round Top	1.57	9.75	50	CW-PG50-FW	83	(2108)	83	(2108)
Integrity Round Top	1.57	9.75	50	CW-PG50-FW	87	(2210)	50	(1270)

## Measurement Conversions

---

Unit Measurements		Width		Height	
From	To	in	mm	in	mm
<b>Frame Measurement</b>		<b>in</b>	<b>mm</b>	<b>in</b>	<b>mm</b>
Rough Opening	Frame OM	-1/2	(13)	-1/2	(13)
<b>Glass</b>		<b>in</b>	<b>mm</b>	<b>in</b>	<b>mm</b>
Rough Opening	Glass Size	-2 23/32	(69)	-2 23/32	(69)
Glass Size	Daylight Opening	-1 7/32	(31)	-1 7/32	(31)
Rough Opening	Daylight Opening	-3 15/16	(100)	-3 15/16	(100)
Rough Opening	Masonry Opening			-1/4	(06)

## Standard Sizes: RT1 – True Half Circle

All Ultrex Series Round Top RT1																
CN	Width								Height							
	Masonry Opening		Rough Opening		Frame Size		Daylight Opening		Masonry Opening		Rough Opening		Frame Size		Daylight Opening	
	ft - in	(mm)	ft - in	(mm)	ft - in	(mm)	ft - in	(mm)	ft - in	(mm)	ft - in	(mm)	ft - in	(mm)	ft - in	(mm)
2613	2-6	(762)	2-6	(762)	2-5 1/2	(749)	2-1 7/8	(656)	1-3	(381)	1-3 1/4	(387)	1-2 3/4	(375)	0-11 5/16	(287)
2814	2-8	(813)	2-8	(813)	2-7 1/2	(800)	2-3 7/8	(707)	1-4	(406)	1-4 1/4	(413)	1-3 3/4	(400)	1-0 5/16	(313)
3016	3-0	(914)	3-0	(914)	2-11 1/2	(902)	2-7 7/8	(810)	1-6	(457)	1-6 1/4	(464)	1-5 3/4	(451)	1-2 5/16	(363)
3619	3-6	(1067)	3-6	(1067)	3-5 1/2	(1054)	3-1 15/16	(963)	1-9	(533)	1-9 1/4	(540)	1-8 3/4	(527)	1-5 5/16	(440)
4020	4-0	(1219)	4-0	(1219)	3-11 1/2	(1207)	3-7 15/16	(1116)	2-0	(610)	2-0 1/4	(616)	1-11 3/4	(603)	1-8 5/16	(516)
5026	5-0	(1524)	5-0	(1524)	4-11 1/2	(1511)	4-7 15/16	(1421)	2-6	(762)	2-6 1/4	(768)	2-5 3/4	(756)	2-2 5/16	(668)
5428	5-4	(1626)	5-4	(1626)	5-3 1/2	(1613)	5-0	(1523)	2-8	(813)	2-8 1/4	(819)	2-7 3/4	(806)	2-4 5/16	(719)
6030	6-0	(1829)	6-0	(1829)	5-11 1/2	(1816)	5-8	(1726)	3-0	(914)	3-0 1/4	(921)	2-11 3/4	(908)	2-8 5/16	(821)
7036	7-0	(2134)	7-0	(2134)	6-11 1/2	(2121)	6-8	(2032)	3-6	(1067)	3-6 1/4	(1073)	3-5 3/4	(1060)	3-2 5/16	(973)
8040	8-0	(2438)	8-0	(2438)	7-11 1/2	(2426)	7-8	(2337)	4-0	(1219)	4-0 1/4	(1226)	3-11 3/4	(1213)	3-8 5/16	(1125)

For elevations, visit:

[http://www.integritywindows.com/download/documents/all%20ultrex%20specs/All\\_Ultrex\\_Round\\_Top.pdf](http://www.integritywindows.com/download/documents/all%20ultrex%20specs/All_Ultrex_Round_Top.pdf)

## Standard Sizes: RT2 – True Half above Springline

All Ultrex Series Round Top RT2																		
CN	Width								Height									
	Masonry Opening		Rough Opening		Frame Size		Daylight Opening		Masonry Opening		Rough Opening		Frame Size		Springline Frame Size and RO		Daylight Opening	
	ft - in	(mm)	ft - in	(mm)	ft - in	(mm)	ft - in	(mm)	ft - in	(mm)	ft - in	(mm)	ft - in	(mm)	ft - in	(mm)	ft - in	(mm)
2610	2-6	(762)	2-6	(762)	2-5 1/2	(749)	2-2 1/16	(662)	2-2 1/2	(673)	2-2 3/4	(679)	2-2 1/4	(667)	0-11 1/2	(292)	1-10 13/16	(579)
2616	2-6	(762)	2-6	(762)	2-5 1/2	(749)	2-2 1/16	(662)	2-8 1/2	(826)	2-8 3/4	(832)	2-8 1/4	(819)	1-5 1/2	(445)	2-4 13/16	(732)
2620	2-6	(762)	2-6	(762)	2-5 1/2	(749)	2-2 1/16	(662)	3-2 1/2	(978)	3-2 3/4	(984)	3-2 1/4	(972)	1-11 1/2	(597)	2-10 13/16	(884)
2626	2-6	(762)	2-6	(762)	2-5 1/2	(749)	2-2 1/16	(662)	3-8 1/2	(1130)	3-8 3/4	(1137)	3-8 1/4	(1124)	2-5 1/2	(749)	3-4 13/16	(1037)
2630	2-6	(762)	2-6	(762)	2-5 1/2	(749)	2-2 1/16	(662)	4-2 1/2	(1283)	4-2 3/4	(1289)	4-2 1/4	(1276)	2-11 1/2	(902)	3-10 13/16	(1189)
2636	2-6	(762)	2-6	(762)	2-5 1/2	(749)	2-2 1/16	(662)	4-8 1/2	(1435)	4-8 3/4	(1441)	4-8 1/4	(1429)	3-5 1/2	(1054)	4-4 13/16	(1341)
2640	2-6	(762)	2-6	(762)	2-5 1/2	(749)	2-2 1/16	(662)	5-2 1/2	(1588)	5-2 3/4	(1594)	5-2 1/4	(1581)	3-11 1/2	(1207)	4-10 13/16	(1494)
2646	2-6	(762)	2-6	(762)	2-5 1/2	(749)	2-2 1/16	(662)	5-8 1/2	(1740)	5-8 3/4	(1746)	5-8 1/4	(1734)	4-5 1/2	(1359)	5-4 13/16	(1646)
2650	2-6	(762)	2-6	(762)	2-5 1/2	(749)	2-2 1/16	(662)	6-2 1/2	(1892)	6-2 3/4	(1899)	6-2 1/4	(1886)	4-11 1/2	(1511)	5-10 13/16	(1799)
2810	2-8	(813)	2-8	(813)	2-7 1/2	(800)	2-4 1/16	(713)	2-3 1/2	(699)	2-3 3/4	(705)	2-3 1/4	(692)	0-11 1/2	(292)	1-11 13/16	(605)
2816	2-8	(813)	2-8	(813)	2-7 1/2	(800)	2-4 1/16	(713)	2-9 1/2	(851)	2-9 3/4	(857)	2-9 1/4	(845)	1-5 1/2	(445)	2-5 13/16	(757)
2820	2-8	(813)	2-8	(813)	2-7 1/2	(800)	2-4 1/16	(713)	3-3 1/2	(1003)	3-3 3/4	(1010)	3-3 1/4	(997)	1-11 1/2	(597)	2-11 13/16	(910)
2826	2-8	(813)	2-8	(813)	2-7 1/2	(800)	2-4 1/16	(713)	3-9 1/2	(1156)	3-9 3/4	(1162)	3-9 1/4	(1149)	2-5 1/2	(749)	3-5 13/16	(1062)
2830	2-8	(813)	2-8	(813)	2-7 1/2	(800)	2-4 1/16	(713)	4-3 1/2	(1308)	4-3 3/4	(1314)	4-3 1/4	(1302)	2-11 1/2	(902)	3-11 13/16	(1214)
2836	2-8	(813)	2-8	(813)	2-7 1/2	(800)	2-4 1/16	(713)	4-9 1/2	(1461)	4-9 3/4	(1467)	4-9 1/4	(1454)	3-5 1/2	(1054)	4-5 13/16	(1367)
2840	2-8	(813)	2-8	(813)	2-7 1/2	(800)	2-4 1/16	(713)	5-3 1/2	(1613)	5-3 3/4	(1619)	5-3 1/4	(1607)	3-11 1/2	(1207)	4-11 13/16	(1519)
2846	2-8	(813)	2-8	(813)	2-7 1/2	(800)	2-4 1/16	(713)	5-9 1/2	(1765)	5-9 3/4	(1772)	5-9 1/4	(1759)	4-5 1/2	(1359)	5-5 13/16	(1672)
2850	2-8	(813)	2-8	(813)	2-7 1/2	(800)	2-4 1/16	(713)	6-3 1/2	(1918)	6-3 3/4	(1924)	6-3 1/4	(1911)	4-11 1/2	(1511)	5-11 13/16	(1824)
3010	3-0	(914)	3-0	(914)	2-11 1/2	(902)	2-8 1/16	(814)	2-5 1/2	(749)	2-5 3/4	(756)	2-5 1/4	(743)	0-11 1/2	(292)	2-1 13/16	(656)
3016	3-0	(914)	3-0	(914)	2-11 1/2	(902)	2-8 1/16	(814)	2-11 1/2	(902)	2-11 3/4	(908)	2-11 1/4	(895)	1-5 1/2	(445)	2-7 13/16	(808)
3020	3-0	(914)	3-0	(914)	2-11 1/2	(902)	2-8 1/16	(814)	3-5 1/2	(1054)	3-5 3/4	(1060)	3-5 1/4	(1048)	1-11 1/2	(597)	3-1 13/16	(960)
3026	3-0	(914)	3-0	(914)	2-11 1/2	(902)	2-8 1/16	(814)	3-11 1/2	(1207)	3-11 3/4	(1213)	3-11 1/4	(1200)	2-5 1/2	(749)	3-7 13/16	(1113)
3030	3-0	(914)	3-0	(914)	2-11 1/2	(902)	2-8 1/16	(814)	4-5 1/2	(1359)	4-5 3/4	(1365)	4-5 1/4	(1353)	2-11 1/2	(902)	4-1 13/16	(1265)
3036	3-0	(914)	3-0	(914)	2-11 1/2	(902)	2-8 1/16	(814)	4-11 1/2	(1511)	4-11 3/4	(1518)	4-11 1/4	(1505)	3-5 1/2	(1054)	4-7 13/16	(1418)
3040	3-0	(914)	3-0	(914)	2-11 1/2	(902)	2-8 1/16	(814)	5-5 1/2	(1664)	5-5 3/4	(1670)	5-5 1/4	(1657)	3-11 1/2	(1207)	5-1 13/16	(1570)
3046	3-0	(914)	3-0	(914)	2-11 1/2	(902)	2-8 1/16	(814)	5-11 1/2	(1816)	5-11 3/4	(1822)	5-11 1/4	(1810)	4-5 1/2	(1359)	5-7 13/16	(1722)
3050	3-0	(914)	3-0	(914)	2-11 1/2	(902)	2-8 1/16	(814)	6-5 1/2	(1969)	6-5 3/4	(1975)	6-5 1/4	(1962)	4-11 1/2	(1511)	6-1 13/16	(1875)
3610	3-6	(1067)	3-6	(1067)	3-5 1/2	(1054)	3-2 1/16	(967)	2-8 1/2	(826)	2-8 3/4	(832)	2-8 1/4	(819)	0-11 1/2	(292)	2-4 13/16	(732)
3616	3-6	(1067)	3-6	(1067)	3-5 1/2	(1054)	3-2 1/16	(967)	3-2 1/2	(978)	3-2 3/4	(984)	3-2 1/4	(972)	1-5 1/2	(445)	2-10 13/16	(884)
3620	3-6	(1067)	3-6	(1067)	3-5 1/2	(1054)	3-2 1/16	(967)	3-8 1/2	(1130)	3-8 3/4	(1137)	3-8 1/4	(1124)	1-11 1/2	(597)	3-4 13/16	(1037)
3626	3-6	(1067)	3-6	(1067)	3-5 1/2	(1054)	3-2 1/16	(967)	4-2 1/2	(1283)	4-2 3/4	(1289)	4-2 1/4	(1276)	2-5 1/2	(749)	3-10 13/16	(1189)
3630	3-6	(1067)	3-6	(1067)	3-5 1/2	(1054)	3-2 1/16	(967)	4-8 1/2	(1435)	4-8 3/4	(1441)	4-8 1/4	(1429)	2-11 1/2	(902)	4-4 13/16	(1341)
3636	3-6	(1067)	3-6	(1067)	3-5 1/2	(1054)	3-2 1/16	(967)	5-2 1/2	(1588)	5-2 3/4	(1594)	5-2 1/4	(1581)	3-5 1/2	(1054)	4-10 13/16	(1494)
3640	3-6	(1067)	3-6	(1067)	3-5 1/2	(1054)	3-2 1/16	(967)	5-8 1/2	(1740)	5-8 3/4	(1746)	5-8 1/4	(1734)	3-11 1/2	(1207)	5-4 13/16	(1646)
3646	3-6	(1067)	3-6	(1067)	3-5 1/2	(1054)	3-2 1/16	(967)	6-2 1/2	(1892)	6-2 3/4	(1899)	6-2 1/4	(1886)	4-5 1/2	(1359)	5-10 13/16	(1799)
3650	3-6	(1067)	3-6	(1067)	3-5 1/2	(1054)	3-2 1/16	(967)	6-8 1/2	(2045)	6-8 3/4	(2051)	6-8 1/4	(2038)	4-11 1/2	(1511)	6-4 13/16	(1951)
4010	4-0	(1219)	4-0	(1219)	3-11 1/2	(1207)	3-8 1/16	(1119)	2-11 1/2	(902)	2-11 3/4	(908)	2-11 1/4	(895)	0-11 1/2	(292)	2-7 13/16	(808)
4016	4-0	(1219)	4-0	(1219)	3-11 1/2	(1207)	3-8 1/16	(1119)	3-5 1/2	(1054)	3-5 3/4	(1060)	3-5 1/4	(1048)	1-5 1/2	(445)	3-1 13/16	(960)
4020	4-0	(1219)	4-0	(1219)	3-11 1/2	(1207)	3-8 1/16	(1119)	3-11 1/2	(1207)	3-11 3/4	(1213)	3-11 1/4	(1200)	1-11 1/2	(597)	3-7 13/16	(1113)
4026	4-0	(1219)	4-0	(1219)	3-11 1/2	(1207)	3-8 1/16	(1119)	4-5 1/2	(1359)	4-5 3/4	(1365)	4-5 1/4	(1353)	2-5 1/2	(749)	4-1 13/16	(1265)
4030	4-0	(1219)	4-0	(1219)	3-11 1/2	(1207)	3-8 1/16	(1119)	4-11 1/2	(1511)	4-11 3/4	(1518)	4-11 1/4	(1505)	2-11 1/2	(902)	4-7 13/16	(1418)
4036	4-0	(1219)	4-0	(1219)	3-11 1/2	(1207)	3-8 1/16	(1119)	5-5 1/2	(1664)	5-5 3/4	(1670)	5-5 1/4	(1657)	3-5 1/2	(1054)	5-1 13/16	(1570)
4040	4-0	(1219)	4-0	(1219)	3-11 1/2	(1207)	3-8 1/16	(1119)	5-11 1/2	(1816)	5-11 3/4	(1822)	5-11 1/4	(1810)	3-11 1/2	(1207)	5-7 13/16	(1722)
4046	4-0	(1219)	4-0	(1219)	3-11 1/2	(1207)	3-8 1/16	(1119)	6-5 1/2	(1969)	6-5 3/4	(1975)	6-5 1/4	(1962)	4-5 1/2	(1359)	6-1 13/16	(1875)
4050	4-0	(1219)	4-0	(1219)	3-11 1/2	(1207)	3-8 1/16	(1119)	6-11 1/2	(2121)	6-11 3/4	(2127)	6-11 1/4	(2115)	4-11 1/2	(1511)	6-7 13/16	(2027)

For elevations, visit:

[http://www.integritywindows.com/download/documents/all%20ultrex%20specs/All\\_Ultrex\\_Round\\_Top.pdf](http://www.integritywindows.com/download/documents/all%20ultrex%20specs/All_Ultrex_Round_Top.pdf)

## Standard Sizes: RT2 – True Half above Springline

All Ultrex Series Round Top RT2																		
CN	Width								Height									
	Masonry Opening		Rough Opening		Frame Size		Daylight Opening		Masonry Opening		Rough Opening		Frame Size		Springline Frame Size and RO		Daylight Opening	
	ft - in	(mm)	ft - in	(mm)	ft - in	(mm)	ft - in	(mm)	ft - in	(mm)	ft - in	(mm)	ft - in	(mm)	ft - in	(mm)	ft - in	(mm)
5010	5-0	(1524)	5-0	(1524)	4-11 1/2	(1511)	4-8 1/16	(1424)	3-5 1/2	(1054)	3-5 3/4	(1080)	3-5 1/4	(1048)	0-11 1/2	(292)	3-1 13/16	(960)
5016	5-0	(1524)	5-0	(1524)	4-11 1/2	(1511)	4-8 1/16	(1424)	3-11 1/2	(1207)	3-11 3/4	(1213)	3-11 1/4	(1200)	1-5 1/2	(445)	3-7 13/16	(1113)
5020	5-0	(1524)	5-0	(1524)	4-11 1/2	(1511)	4-8 1/16	(1424)	4-5 1/2	(1359)	4-5 3/4	(1365)	4-5 1/4	(1353)	1-11 1/2	(597)	4-1 13/16	(1265)
5026	5-0	(1524)	5-0	(1524)	4-11 1/2	(1511)	4-8 1/16	(1424)	4-11 1/2	(1511)	4-11 3/4	(1518)	4-11 1/4	(1505)	2-5 1/2	(749)	4-7 13/16	(1418)
5030	5-0	(1524)	5-0	(1524)	4-11 1/2	(1511)	4-8 1/16	(1424)	5-5 1/2	(1664)	5-5 3/4	(1670)	5-5 1/4	(1657)	2-11 1/2	(902)	5-1 13/16	(1570)
5036	5-0	(1524)	5-0	(1524)	4-11 1/2	(1511)	4-8 1/16	(1424)	5-11 1/2	(1816)	5-11 3/4	(1822)	5-11 1/4	(1810)	3-5 1/2	(1054)	5-7 13/16	(1722)
5040	5-0	(1524)	5-0	(1524)	4-11 1/2	(1511)	4-8 1/16	(1424)	6-5 1/2	(1969)	6-5 3/4	(1975)	6-5 1/4	(1962)	3-11 1/2	(1207)	6-1 13/16	(1875)
5046	5-0	(1524)	5-0	(1524)	4-11 1/2	(1511)	4-8 1/16	(1424)	6-11 1/2	(2121)	6-11 3/4	(2127)	6-11 1/4	(2115)	4-5 1/2	(1359)	6-7 13/16	(2027)
5410	5-4	(1626)	5-4	(1626)	5-3 1/2	(1613)	5-0 1/16	(1525)	3-7 1/2	(1105)	3-7 3/4	(1111)	3-7 1/4	(1099)	0-11 1/2	(292)	3-3 13/16	(1011)
5416	5-4	(1626)	5-4	(1626)	5-3 1/2	(1613)	5-0 1/16	(1525)	4-1 1/2	(1257)	4-1 3/4	(1264)	4-1 1/4	(1251)	1-5 1/2	(445)	3-9 13/16	(1164)
5420	5-4	(1626)	5-4	(1626)	5-3 1/2	(1613)	5-0 1/16	(1525)	4-7 1/2	(1410)	4-7 3/4	(1416)	4-7 1/4	(1403)	1-11 1/2	(597)	4-3 13/16	(1316)
5426	5-4	(1626)	5-4	(1626)	5-3 1/2	(1613)	5-0 1/16	(1525)	5-1 1/2	(1562)	5-1 3/4	(1568)	5-1 1/4	(1556)	2-5 1/2	(749)	4-9 13/16	(1468)
5430	5-4	(1626)	5-4	(1626)	5-3 1/2	(1613)	5-0 1/16	(1525)	5-7 1/2	(1715)	5-7 3/4	(1721)	5-7 1/4	(1708)	2-11 1/2	(902)	5-3 13/16	(1621)
5436	5-4	(1626)	5-4	(1626)	5-3 1/2	(1613)	5-0 1/16	(1525)	6-1 1/2	(1867)	6-1 3/4	(1873)	6-1 1/4	(1861)	3-5 1/2	(1054)	5-9 13/16	(1773)
5440	5-4	(1626)	5-4	(1626)	5-3 1/2	(1613)	5-0 1/16	(1525)	6-7 1/2	(2019)	6-7 3/4	(2026)	6-7 1/4	(2013)	3-11 1/2	(1207)	6-3 13/16	(1926)
6010	6-0	(1829)	6-0	(1829)	5-11 1/2	(1816)	5-8 1/16	(1729)	3-11 1/2	(1207)	3-11 3/4	(1213)	3-11 1/4	(1200)	0-11 1/2	(292)	3-7 13/16	(1113)
6016	6-0	(1829)	6-0	(1829)	5-11 1/2	(1816)	5-8 1/16	(1729)	4-5 1/2	(1359)	4-5 3/4	(1365)	4-5 1/4	(1353)	1-5 1/2	(445)	4-1 13/16	(1265)
6020	6-0	(1829)	6-0	(1829)	5-11 1/2	(1816)	5-8 1/16	(1729)	4-11 1/2	(1511)	4-11 3/4	(1518)	4-11 1/4	(1505)	1-11 1/2	(597)	4-7 13/16	(1418)
6026	6-0	(1829)	6-0	(1829)	5-11 1/2	(1816)	5-8 1/16	(1729)	5-5 1/2	(1664)	5-5 3/4	(1670)	5-5 1/4	(1657)	2-5 1/2	(749)	5-1 13/16	(1570)

For elevations, visit:

[http://www.integritywindows.com/download/documents/all%20ultrex%20specs/All\\_Ultrex\\_Round\\_Top.pdf](http://www.integritywindows.com/download/documents/all%20ultrex%20specs/All_Ultrex_Round_Top.pdf)

## Standard Sizes: RT6 – Eyebrow above Springline

CN	Width												Height											
	Masonry Opening		Rough Opening		Frame Size		Daylight Opening		Rough Opening Radius		Frame Size Radius		Masonry Opening		Rough Opening		Frame Size		Daylight Opening		Rough Opening Springline		Frame Size Springline	
	ft - in	(mm)	ft - in	(mm)	ft - in	(mm)	ft - in	(mm)	ft - in	(mm)	ft - in	(mm)	ft - in	(mm)	ft - in	(mm)	ft - in	(mm)	ft - in	(mm)	ft - in	(mm)	ft - in	(mm)
2610	2-6	(762)	2-6	(762)	2-5 1/2	(749)	2-2 1/16	(662)	3-0	(914)	2-11 1/2	(902)	1-3	(380)	1-3 1/4	(386)	1-2 3/4	(374)	0-11 5/16	(286)	1-0	(305)	0-11 1/2	(292)
2616	2-6	(762)	2-6	(762)	2-5 1/2	(749)	2-2 1/16	(662)	3-0	(914)	2-11 1/2	(902)	1-9	(532)	1-9 1/4	(539)	1-8 3/4	(526)	1-5 5/16	(439)	1-6	(457)	1-5 1/2	(445)
2620	2-6	(762)	2-6	(762)	2-5 1/2	(749)	2-2 1/16	(662)	3-0	(914)	2-11 1/2	(902)	2-3	(685)	2-3 1/4	(691)	2-2 3/4	(678)	1-11 5/16	(591)	2-0	(610)	1-11 1/2	(597)
2626	2-6	(762)	2-6	(762)	2-5 1/2	(749)	2-2 1/16	(662)	3-0	(914)	2-11 1/2	(902)	2-9	(837)	2-9 1/4	(844)	2-8 3/4	(831)	2-5 5/16	(743)	2-6	(762)	2-5 1/2	(749)
2630	2-6	(762)	2-6	(762)	2-5 1/2	(749)	2-2 1/16	(662)	3-0	(914)	2-11 1/2	(902)	3-3	(990)	3-3 1/4	(996)	3-2 3/4	(983)	2-11 5/16	(896)	3-0	(914)	2-11 1/2	(902)
2636	2-6	(762)	2-6	(762)	2-5 1/2	(749)	2-2 1/16	(662)	3-0	(914)	2-11 1/2	(902)	3-9	(1142)	3-9 1/4	(1148)	3-8 3/4	(1136)	3-5 5/16	(1048)	3-6	(1067)	3-5 1/2	(1054)
2640	2-6	(762)	2-6	(762)	2-5 1/2	(749)	2-2 1/16	(662)	3-0	(914)	2-11 1/2	(902)	4-3	(1294)	4-3 1/4	(1301)	4-2 3/4	(1288)	3-11 5/16	(1201)	4-0	(1219)	3-11 1/2	(1207)
2646	2-6	(762)	2-6	(762)	2-5 1/2	(749)	2-2 1/16	(662)	3-0	(914)	2-11 1/2	(902)	4-9	(1447)	4-9 1/4	(1453)	4-8 3/4	(1440)	4-5 5/16	(1351)	4-6	(1372)	4-5 1/2	(1359)
2650	2-6	(762)	2-6	(762)	2-5 1/2	(749)	2-2 1/16	(662)	3-0	(914)	2-11 1/2	(902)	5-3	(1600)	5-3 1/4	(1606)	5-2 3/4	(1593)	4-11 5/16	(1505)	5-0	(1524)	4-11 1/2	(1511)
2656	2-6	(762)	2-6	(762)	2-5 1/2	(749)	2-2 1/16	(662)	3-0	(914)	2-11 1/2	(902)	5-9	(1752)	5-9 1/4	(1758)	5-8 3/4	(1745)	5-5 5/16	(1658)	5-6	(1676)	5-5 1/2	(1664)
2660	2-6	(762)	2-6	(762)	2-5 1/2	(749)	2-2 1/16	(662)	3-0	(914)	2-11 1/2	(902)	5-9	(1904)	5-9 1/4	(1910)	5-8 3/4	(1898)	5-11 5/16	(1810)	6-0	(1829)	5-11 1/2	(1816)
2610	2-8	(813)	2-8	(813)	2-7 1/2	(800)	2-4 1/16	(713)	3-0	(914)	2-11 1/2	(902)	1-3 7/16	(392)	1-3 11/16	(398)	1-3 3/16	(386)	0-11 3/4	(298)	1-0	(305)	0-11 1/2	(292)
2616	2-8	(813)	2-8	(813)	2-7 1/2	(800)	2-4 1/16	(713)	3-0	(914)	2-11 1/2	(902)	1-9 7/16	(547)	1-9 11/16	(551)	1-9 3/16	(538)	1-5 3/4	(451)	1-6	(457)	1-5 1/2	(445)
2620	2-8	(813)	2-8	(813)	2-7 1/2	(800)	2-4 1/16	(713)	3-0	(914)	2-11 1/2	(902)	2-3 7/16	(694)	2-3 11/16	(703)	2-3 3/16	(680)	1-11 3/4	(603)	2-0	(610)	1-11 1/2	(597)
2626	2-8	(813)	2-8	(813)	2-7 1/2	(800)	2-4 1/16	(713)	3-0	(914)	2-11 1/2	(902)	2-9 7/16	(849)	2-9 11/16	(856)	2-9 3/16	(843)	2-5 3/4	(755)	2-6	(762)	2-5 1/2	(749)
2630	2-8	(813)	2-8	(813)	2-7 1/2	(800)	2-4 1/16	(713)	3-0	(914)	2-11 1/2	(902)	3-3 7/16	(1002)	3-3 11/16	(1008)	3-3 3/16	(995)	2-11 3/4	(908)	3-0	(914)	2-11 1/2	(902)
2636	2-8	(813)	2-8	(813)	2-7 1/2	(800)	2-4 1/16	(713)	3-0	(914)	2-11 1/2	(902)	3-9 7/16	(1154)	3-9 11/16	(1160)	3-9 3/16	(1148)	3-5 3/4	(1060)	3-6	(1067)	3-5 1/2	(1054)
2640	2-8	(813)	2-8	(813)	2-7 1/2	(800)	2-4 1/16	(713)	3-0	(914)	2-11 1/2	(902)	4-3 7/16	(1306)	4-3 11/16	(1313)	4-3 3/16	(1300)	3-11 3/4	(1213)	4-0	(1219)	3-11 1/2	(1207)
2646	2-8	(813)	2-8	(813)	2-7 1/2	(800)	2-4 1/16	(713)	3-0	(914)	2-11 1/2	(902)	4-9 7/16	(1459)	4-9 11/16	(1465)	4-9 3/16	(1452)	4-5 3/4	(1365)	4-6	(1372)	4-5 1/2	(1359)
2650	2-8	(813)	2-8	(813)	2-7 1/2	(800)	2-4 1/16	(713)	3-0	(914)	2-11 1/2	(902)	5-3 7/16	(1611)	5-3 11/16	(1618)	5-3 3/16	(1605)	4-11 3/4	(1517)	5-0	(1524)	4-11 1/2	(1511)
2656	2-8	(813)	2-8	(813)	2-7 1/2	(800)	2-4 1/16	(713)	3-0	(914)	2-11 1/2	(902)	5-9 7/16	(1764)	5-9 11/16	(1770)	5-9 3/16	(1757)	5-5 3/4	(1670)	5-6	(1676)	5-5 1/2	(1664)
2660	2-8	(813)	2-8	(813)	2-7 1/2	(800)	2-4 1/16	(713)	3-0	(914)	2-11 1/2	(902)	6-3 7/16	(1916)	6-3 11/16	(1922)	6-3 3/16	(1910)	5-11 3/4	(1822)	6-0	(1829)	5-11 1/2	(1816)
3010	3-0	(914)	3-0	(914)	2-11 1/2	(902)	2-8 1/16	(814)	3-0	(914)	2-11 1/2	(902)	1-4 1/2	(419)	1-4 3/4	(426)	1-4 1/4	(413)	1-10 13/16	(325)	1-0	(305)	0-11 1/2	(292)
3016	3-0	(914)	3-0	(914)	2-11 1/2	(902)	2-8 1/16	(814)	3-0	(914)	2-11 1/2	(902)	1-10 1/2	(572)	1-10 3/4	(578)	1-10 1/4	(565)	1-6 13/16	(478)	1-6	(457)	1-5 1/2	(445)
3020	3-0	(914)	3-0	(914)	2-11 1/2	(902)	2-8 1/16	(814)	3-0	(914)	2-11 1/2	(902)	2-1 1/2	(724)	2-4 3/4	(730)	2-4 1/4	(718)	2-0 13/16	(630)	2-0	(610)	1-11 1/2	(597)
3026	3-0	(914)	3-0	(914)	2-11 1/2	(902)	2-8 1/16	(814)	3-0	(914)	2-11 1/2	(902)	2-10 1/2	(876)	2-10 3/4	(883)	2-10 1/4	(870)	2-6 13/16	(783)	2-6	(762)	2-5 1/2	(749)
3030	3-0	(914)	3-0	(914)	2-11 1/2	(902)	2-8 1/16	(814)	3-0	(914)	2-11 1/2	(902)	3-4 1/2	(1029)	3-4 3/4	(1035)	3-4 1/4	(1023)	3-0 13/16	(935)	3-0	(914)	2-11 1/2	(902)
3036	3-0	(914)	3-0	(914)	2-11 1/2	(902)	2-8 1/16	(814)	3-0	(914)	2-11 1/2	(902)	3-10 1/2	(1181)	3-10 3/4	(1188)	3-10 1/4	(1175)	3-6 13/16	(1047)	3-6	(1067)	3-5 1/2	(1054)
3040	3-0	(914)	3-0	(914)	2-11 1/2	(902)	2-8 1/16	(814)	3-0	(914)	2-11 1/2	(902)	4-1 1/2	(1334)	4-1 3/4	(1341)	4-1 1/4	(1327)	4-0 13/16	(1200)	4-0	(1219)	3-11 1/2	(1207)
3046	3-0	(914)	3-0	(914)	2-11 1/2	(902)	2-8 1/16	(814)	3-0	(914)	2-11 1/2	(902)	4-10 1/2	(1486)	4-10 3/4	(1492)	4-10 1/4	(1480)	4-6 13/16	(1392)	4-6	(1372)	4-5 1/2	(1359)
3050	3-0	(914)	3-0	(914)	2-11 1/2	(902)	2-8 1/16	(814)	3-0	(914)	2-11 1/2	(902)	5-4 1/2	(1638)	5-4 3/4	(1645)	5-4 1/4	(1632)	5-0 13/16	(1545)	5-0	(1524)	4-11 1/2	(1511)
3056	3-0	(914)	3-0	(914)	2-11 1/2	(902)	2-8 1/16	(814)	3-0	(914)	2-11 1/2	(902)	5-10 1/2	(1791)	5-10 3/4	(1797)	5-10 1/4	(1785)	5-6 13/16	(1697)	5-6	(1676)	5-5 1/2	(1664)
3060	3-0	(914)	3-0	(914)	2-11 1/2	(902)	2-8 1/16	(814)	3-0	(914)	2-11 1/2	(902)	6-4 1/2	(1943)	6-4 3/4	(1950)	6-4 1/4	(1937)	6-0 13/16	(1849)	6-0	(1829)	5-11 1/2	(1816)
3610	3-6	(1067)	3-6	(1067)	3-5 1/2	(1054)	3-2 1/16	(967)	4-0	(1219)	3-11 1/2	(1206)	1-4 9/16	(420)	1-4 13/16	(426)	1-4 5/16	(413)	1-0 7/8	(328)	1-0	(305)	0-11 1/2	(292)
3616	3-6	(1067)	3-6	(1067)	3-5 1/2	(1054)	3-2 1/16	(967)	4-0	(1219)	3-11 1/2	(1206)	1-10 9/16	(572)	1-10 13/16	(578)	1-10 5/16	(566)	1-6 7/8	(476)	1-6	(457)	1-5 1/2	(445)
3620	3-6	(1067)	3-6	(1067)	3-5 1/2	(1054)	3-2 1/16	(967)	4-0	(1219)	3-11 1/2	(1206)	2-4 9/16	(724)	2-4 13/16	(731)	2-4 5/16	(718)	2-0 7/8	(631)	2-0	(610)	1-11 1/2	(597)
3626	3-6	(1067)	3-6	(1067)	3-5 1/2	(1054)	3-2 1/16	(967)	4-0	(1219)	3-11 1/2	(1206)	2-10 9/16	(877)	2-10 13/16	(883)	2-10 5/16	(871)	2-6 7/8	(783)	2-6	(762)	2-5 1/2	(749)
3630	3-6	(1067)	3-6	(1067)	3-5 1/2	(1054)	3-2 1/16	(967)	4-0	(1219)	3-11 1/2	(1206)	3-4 9/16	(1029)	3-4 13/16	(1035)	3-4 5/16	(1023)	3-0 7/8	(935)	3-0	(914)	2-11 1/2	(902)
3636	3-6	(1067)	3-6	(1067)	3-5 1/2	(1054)	3-2 1/16	(967)	4-0	(1219)	3-11 1/2	(1206)	3-10 9/16	(1182)	3-10 13/16	(1188)	3-10 5/16	(1175)	3-6 7/8	(1088)	3-6	(1067)	3-5 1/2	(1054)
3640	3-6	(1067)	3-6	(1067)	3-5 1/2	(1054)	3-2 1/16	(967)	4-0	(1219)	3-11 1/2	(1206)	4-4 9/16	(1334)	4-4 13/16	(1340)	4-4 5/16	(1328)	4-0 7/8	(1240)	4-0	(1219)	3-11 1/2	(1207)
3646	3-6	(1067)	3-6	(1067)	3-5 1/2	(1054)	3-2 1/16	(967)	4-0	(1219)	3-11 1/2	(1206)	4-10 9/16	(1486)	4-10 13/16	(1493)	4-10 5/16	(1480)	4-6 7/8	(1393)	4-6	(1372)	4-5 1/2	(1359)
3650	3-6	(1067)	3-6	(1067)	3-5 1/2	(1054)	3-2 1/16	(967)	4-0	(1219)	3-11 1/2	(1206)	5-4 9/16	(1639)	5-4 13/16	(1645)	5-4 5/16	(1633)	5-0 7/8	(1545)	5-0	(1524)	4-11 1/2	(1511)
3656	3-6	(1067)	3-6	(1067)	3-5 1/2	(1054)	3-2 1/16	(967)	4-0	(1219)	3-11 1/2	(1206)	5-10 9/16	(1791)	5-10 13/16	(1798)	5-10 5/16	(1785)	5-6 7/8	(1697)	5-6	(1676)	5-5 1/2	(1664)
3660	3-6	(1067)	3-6	(1067)	3-5 1/2	(1054)	3-2 1/16	(967)	4-0	(1219)	3-11 1/2	(1206)	6-4 9/16	(1944)	6-4 13/16	(1950)	6-4 5/16	(1937)	6-0 7/8	(1850)	6-0	(1829)	5-11 1/2	(1816)
4010	4-0	(1219)	4-0	(1219)	3-11 1/2	(1207)	3-8 1/16	(1119)	4-0	(1219)	3-11 1/2	(1206)	1-6 1/8	(460)	1-6 3/8	(466)	1-5 7/8	(454)	1-2 7/16	(366)	1-0	(305)	0-11 1/2	(292)
4016	4-0	(1219)	4-0	(1219)	3-11 1/2	(1207)	3-8 1/16	(1119)	4-0	(1219)	3-11 1/2	(1206)	2-0 1/8	(612)	2-0 3/8	(619)	1-11 7/8	(606)	1-8 7/16	(519)	1-6	(457)	1-5 1/2	(445)
4020	4-0	(1219)	4-0	(1219)	3-11 1/2	(1207)	3-8 1/16	(1119)	4-0	(1219)	3-11 1/2	(1206)	2-6 1/8	(765)	2-6 3/8	(771)	2-5 7/8	(759)	2-2 7/16	(671)	2-0	(610)	1-11 1/2	(597)
4026	4-0	(1219)	4-0	(1219)	3-11 1/2	(1207)	3-8 1/16	(1119)	4-0	(1219)	3-11 1/2	(1206)	3-0 1/8											



## Standard Sizes: RT6 – Eyebrow above Springline

All Ultrex Series Round Top RT6																								
CN	Width										Height													
	Masonry Opening		Rough Opening		Frame Size		Daylight Opening		Rough Opening Radius		Frame Size Radius		Masonry Opening		Rough Opening		Frame Size		Daylight Opening		Rough Opening Springline		Frame Size Springline	
	ft-in	(mm)	ft-in	(mm)	ft-in	(mm)	ft-in	(mm)	ft-in	(mm)	ft-in	(mm)	ft-in	(mm)	ft-in	(mm)	ft-in	(mm)	ft-in	(mm)	ft-in	(mm)	ft-in	(mm)
5410	5-4	(1626)	5-4	(1626)	5-3 1/2	(1613)	5-0 1/16	(1525)	6-0	(1829)	5-11 1/2	(1816)	1-7 3/16	(487)	1-7 7/16	(494)	1-6 15/16	(481)	1-3 1/2	(394)	1-0	(305)	0-11 1/2	(292)
5416	5-4	(1626)	5-4	(1626)	5-3 1/2	(1613)	5-0 1/16	(1525)	6-0	(1829)	5-11 1/2	(1816)	2-1 3/16	(640)	2-1 7/16	(646)	2-0 15/16	(633)	1-9 1/2	(546)	1-6	(457)	1-5 1/2	(445)
5420	5-4	(1626)	5-4	(1626)	5-3 1/2	(1613)	5-0 1/16	(1525)	6-0	(1829)	5-11 1/2	(1816)	2-7 3/16	(792)	2-7 7/16	(798)	2-6 15/16	(786)	2-3 1/2	(698)	2-0	(610)	1-11 1/2	(597)
5426	5-4	(1626)	5-4	(1626)	5-3 1/2	(1613)	5-0 1/16	(1525)	6-0	(1829)	5-11 1/2	(1816)	3-1 3/16	(945)	3-1 7/16	(951)	3-0 15/16	(938)	2-9 1/2	(851)	2-6	(762)	2-5 1/2	(749)
5430	5-4	(1626)	5-4	(1626)	5-3 1/2	(1613)	5-0 1/16	(1525)	6-0	(1829)	5-11 1/2	(1816)	3-7 3/16	(1097)	3-7 7/16	(1103)	3-6 15/16	(1091)	3-3 1/2	(1003)	3-0	(914)	2-11 1/2	(902)
5436	5-4	(1626)	5-4	(1626)	5-3 1/2	(1613)	5-0 1/16	(1525)	6-0	(1829)	5-11 1/2	(1816)	4-1 3/16	(1249)	4-1 7/16	(1256)	4-0 15/16	(1243)	3-9 1/2	(1156)	3-6	(1067)	3-5 1/2	(1054)
5440	5-4	(1626)	5-4	(1626)	5-3 1/2	(1613)	5-0 1/16	(1525)	6-0	(1829)	5-11 1/2	(1816)	4-7 3/16	(1402)	4-7 7/16	(1408)	4-6 15/16	(1395)	4-3 1/2	(1308)	4-0	(1219)	3-11 1/2	(1207)
5446	5-4	(1626)	5-4	(1626)	5-3 1/2	(1613)	5-0 1/16	(1525)	6-0	(1829)	5-11 1/2	(1816)	5-1 3/16	(1554)	5-1 7/16	(1560)	5-0 15/16	(1548)	4-9 1/2	(1460)	4-6	(1372)	4-5 1/2	(1359)
5450	5-4	(1626)	5-4	(1626)	5-3 1/2	(1613)	5-0 1/16	(1525)	6-0	(1829)	5-11 1/2	(1816)	5-7 3/16	(1707)	5-7 7/16	(1713)	5-6 15/16	(1700)	5-3 1/2	(1613)	5-0	(1524)	4-11 1/2	(1511)
5456	5-4	(1626)	5-4	(1626)	5-3 1/2	(1613)	5-0 1/16	(1525)	6-0	(1829)	5-11 1/2	(1816)	6-1 3/16	(1859)	6-1 7/16	(1865)	6-0 15/16	(1853)	5-9 1/2	(1765)	5-6	(1676)	5-5 1/2	(1664)
5460	5-4	(1626)	5-4	(1626)	5-3 1/2	(1613)	5-0 1/16	(1525)	6-0	(1829)	5-11 1/2	(1816)	6-7 3/16	(2011)	6-7 7/16	(2018)	6-6 15/16	(2005)	6-3 1/2	(1918)	6-0	(1829)	5-11 1/2	(1816)
6010	6-0	(1829)	6-0	(1829)	5-11 1/2	(1816)	5-8 1/16	(1729)	6-0	(1829)	5-11 1/2	(1816)	1-9 3/8	(542)	1-9 5/8	(548)	1-9 1/8	(535)	1-5 5/8	(448)	1-0	(305)	0-11 1/2	(292)
6016	6-0	(1829)	6-0	(1829)	5-11 1/2	(1816)	5-8 1/16	(1729)	6-0	(1829)	5-11 1/2	(1816)	2-3 3/8	(694)	2-3 5/8	(701)	2-3 1/8	(688)	1-11 5/8	(600)	1-6	(457)	1-5 1/2	(445)
6020	6-0	(1829)	6-0	(1829)	5-11 1/2	(1816)	5-8 1/16	(1729)	6-0	(1829)	5-11 1/2	(1816)	2-9 3/8	(847)	2-9 5/8	(853)	2-9 1/8	(840)	2-5 5/8	(753)	2-0	(610)	1-11 1/2	(597)
6026	6-0	(1829)	6-0	(1829)	5-11 1/2	(1816)	5-8 1/16	(1729)	6-0	(1829)	5-11 1/2	(1816)	3-3 3/8	(999)	3-3 5/8	(1005)	3-3 1/8	(993)	2-11 5/8	(905)	2-6	(762)	2-5 1/2	(749)
6030	6-0	(1829)	6-0	(1829)	5-11 1/2	(1816)	5-8 1/16	(1729)	6-0	(1829)	5-11 1/2	(1816)	3-9 3/8	(1151)	3-9 5/8	(1158)	3-9 1/8	(1145)	3-5 5/8	(1058)	3-0	(914)	2-11 1/2	(902)
6036	6-0	(1829)	6-0	(1829)	5-11 1/2	(1816)	5-8 1/16	(1729)	6-0	(1829)	5-11 1/2	(1816)	4-3 3/8	(1304)	4-3 5/8	(1310)	4-3 1/8	(1297)	3-11 5/8	(1210)	3-6	(1067)	3-5 1/2	(1054)
6040	6-0	(1829)	6-0	(1829)	5-11 1/2	(1816)	5-8 1/16	(1729)	6-0	(1829)	5-11 1/2	(1816)	4-9 3/8	(1456)	4-9 5/8	(1463)	4-9 1/8	(1450)	4-5 5/8	(1362)	4-0	(1219)	3-11 1/2	(1207)
6046	6-0	(1829)	6-0	(1829)	5-11 1/2	(1816)	5-8 1/16	(1729)	6-0	(1829)	5-11 1/2	(1816)	5-3 3/8	(1609)	5-3 5/8	(1615)	5-3 1/8	(1602)	4-11 5/8	(1515)	4-6	(1372)	4-5 1/2	(1359)
6050	6-0	(1829)	6-0	(1829)	5-11 1/2	(1816)	5-8 1/16	(1729)	6-0	(1829)	5-11 1/2	(1816)	5-9 3/8	(1761)	5-9 5/8	(1767)	5-9 1/8	(1755)	5-5 5/8	(1667)	5-0	(1524)	4-11 1/2	(1511)
7010	7-0	(2134)	7-0	(2134)	6-11 1/2	(2121)	6-8 1/16	(2033)	8-0	(2439)	7-11 1/2	(2426)	1-9 3/8	(543)	1-9 5/8	(549)	1-9 1/8	(536)	1-5 11/16	(449)	1-0	(305)	0-11 1/2	(292)
7016	7-0	(2134)	7-0	(2134)	6-11 1/2	(2121)	6-8 1/16	(2033)	8-0	(2439)	7-11 1/2	(2426)	2-3 3/8	(695)	2-3 5/8	(701)	2-3 1/8	(689)	1-11 11/16	(601)	1-6	(457)	1-5 1/2	(445)
7020	7-0	(2134)	7-0	(2134)	6-11 1/2	(2121)	6-8 1/16	(2033)	8-0	(2439)	7-11 1/2	(2426)	2-9 3/8	(847)	2-9 5/8	(854)	2-9 1/8	(841)	2-5 11/16	(754)	2-0	(610)	1-11 1/2	(597)
7026	7-0	(2134)	7-0	(2134)	6-11 1/2	(2121)	6-8 1/16	(2033)	8-0	(2439)	7-11 1/2	(2426)	3-3 3/8	(1000)	3-3 5/8	(1006)	3-3 1/8	(993)	2-11 11/16	(906)	2-6	(762)	2-5 1/2	(749)
7030	7-0	(2134)	7-0	(2134)	6-11 1/2	(2121)	6-8 1/16	(2033)	8-0	(2439)	7-11 1/2	(2426)	3-9 3/8	(1152)	3-9 5/8	(1158)	3-9 1/8	(1146)	3-5 11/16	(1058)	3-0	(914)	2-11 1/2	(902)
7036	7-0	(2134)	7-0	(2134)	6-11 1/2	(2121)	6-8 1/16	(2033)	8-0	(2439)	7-11 1/2	(2426)	4-3 3/8	(1305)	4-3 5/8	(1311)	4-3 1/8	(1298)	3-11 11/16	(1211)	3-6	(1067)	3-5 1/2	(1054)
7040	7-0	(2134)	7-0	(2134)	6-11 1/2	(2121)	6-8 1/16	(2033)	8-0	(2439)	7-11 1/2	(2426)	4-9 3/8	(1457)	4-9 5/8	(1463)	4-9 1/8	(1451)	4-5 11/16	(1363)	4-0	(1219)	3-11 1/2	(1207)
8010	8-0	(2438)	8-0	(2438)	7-11 1/2	(2426)	7-8 1/16	(2338)	8-0	(2438)	7-11 1/2	(2426)	2-0 9/16	(623)	2-0 13/16	(630)	2-0 5/16	(617)	1-8 7/8	(530)	1-0	(305)	0-11 1/2	(292)
8016	8-0	(2438)	8-0	(2438)	7-11 1/2	(2426)	7-8 1/16	(2338)	8-0	(2438)	7-11 1/2	(2426)	2-6 9/16	(776)	2-6 13/16	(782)	2-6 5/16	(769)	2-2 7/8	(682)	1-6	(457)	1-5 1/2	(445)
8020	8-0	(2438)	8-0	(2438)	7-11 1/2	(2426)	7-8 1/16	(2338)	8-0	(2438)	7-11 1/2	(2426)	3-0 9/16	(928)	3-0 13/16	(935)	3-0 5/16	(922)	2-8 7/8	(834)	2-0	(610)	1-11 1/2	(597)
8026	8-0	(2438)	8-0	(2438)	7-11 1/2	(2426)	7-8 1/16	(2338)	8-0	(2438)	7-11 1/2	(2426)	3-6 9/16	(1081)	3-6 13/16	(1087)	3-6 5/16	(1074)	3-2 7/8	(987)	2-6	(762)	2-5 1/2	(749)
8030	8-0	(2438)	8-0	(2438)	7-11 1/2	(2426)	7-8 1/16	(2338)	8-0	(2438)	7-11 1/2	(2426)	4-0 9/16	(1233)	4-0 13/16	(1239)	4-0 5/16	(1227)	3-8 7/8	(1139)	3-0	(914)	2-11 1/2	(902)

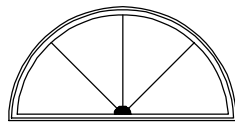
For elevations, visit:

[http://www.integritywindows.com/download/documents/all%20ultrex%20specs/All\\_Ultrex\\_Round\\_Top.pdf](http://www.integritywindows.com/download/documents/all%20ultrex%20specs/All_Ultrex_Round_Top.pdf)

For elevations, visit:

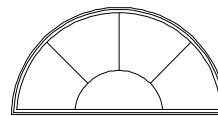
## True Half (RT1)

CN	GBG	
<b>ROUND TOP-TRUE HALF (RT1) per unit - Sunburst Lite Cut</b>		
IFRT 2613	Solid Hub 3 Spokes	Open Hub 3 Spokes/5 Lites
IFRT 2814	Solid Hub 3 Spokes	Open Hub 3 Spokes/5 Lites
IFRT 3016	Solid Hub 3 Spokes	Open Hub 3 Spokes/5 Lites
IFRT 3619	Solid Hub 3 Spokes	Open Hub 3 Spokes/5 Lites
IFRT 4020	Solid Hub 3 Spokes	Open Hub 3 Spokes/5 Lites
IFRT 5026	Solid Hub 3 Spokes	Open Hub 3 Spokes/5 Lites
IFRT 5428	Solid Hub 3 Spokes	Open Hub 3 Spokes/5 Lites
IFRT 6030	Solid Hub 3 Spokes	Open Hub 3 Spokes/5 Lites
IFRT 7036	Solid Hub 3 Spokes	Open Hub 3 Spokes/5 Lites
IFRT 8040	Solid Hub 3 Spokes	Open Hub 3 Spokes/5 Lites



Solid Hub  
w/3 spokes  
4 lites

**RT1**



Open Hub  
w/3 spokes  
5 lites

**RT1**

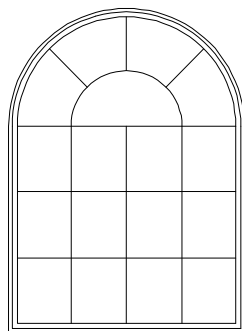
Standard Divided Lite Options

**True Half Above Springline (RT2)**

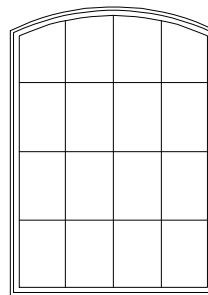
**Eyebrow Above Springline (RT6)**

True Half Above Springline (RT2) Rectangular GBG Default Patterns (rectangular cuts below open hub with 3 spoke Sunburst)								
CN Width	26	28	30	36	40	50	54	60
CN Height								
10	3W1H	3W1H	3W1H	4W1H	4W1H	5W1H	6W1H	7W1H
16	3W1H	3W1H	3W1H	4W1H	4W1H	5W1H	6W1H	7W1H
20	3W2H	3W2H	3W2H	4W2H	4W2H	5W2H	6W2H	7W2H
26	3W2H	3W2H	3W2H	4W2H	4W2H	5W2H	6W2H	7W2H
30	3W2H	3W2H	3W2H	4W2H	4W2H	5W2H	6W2H	
36	3W3H	3W3H	3W3H	4W3H	4W3H	5W3H	6W3H	
40	3W3H	3W3H	3W3H	4W3H	4W3H	5W3H	6W3H	
46	3W4H	3W4H	3W4H	4W4H	4W4H	5W4H		
50	3W4H	3W4H	3W4H	4W4H	4W4H			

Eyebrow Above the Springline (RT6) Rectangular GBG Default Pattern										
CN Width	26	28	30	36	40	50	54	60	70	80
CN Height										
10	3W1H	3W1H	3W1H	4W1H	4W1H	5W1H	6W1H	7W1H	8W1H	9W1H
16	3W2H	3W2H	3W2H	4W2H	4W2H	5W2H	6W2H	7W2H	8W2H	9W2H
20	3W2H	3W2H	3W2H	4W2H	4W2H	5W2H	6W2H	7W2H	8W2H	9W2H
26	3W2H	3W2H	3W2H	4W2H	4W2H	5W2H	6W2H	7W2H	8W2H	9W2H
30	3W3H	3W3H	3W3H	4W3H	4W3H	5W3H	6W3H	7W3H	8W3H	9W3H
36	3W3H	3W3H	3W3H	4W3H	4W3H	5W3H	6W3H	7W3H	8W3H	
40	3W4H	3W4H	3W4H	4W4H	4W4H	5W4H	6W4H	7W4H	8W4H	
46	3W4H	3W4H	3W4H	4W4H	4W4H	5W4H	6W4H	7W4H		
50	3W4H	3W4H	3W4H	4W4H	4W4H	5W4H	6W4H	7W4H		
56	3W5H	3W5H	3W5H	4W5H	4W5H	5W5H	6W5H			
60	3W5H	3W5H	3W5H	4W5H	4W5H	5W5H	6W5H			



RT2

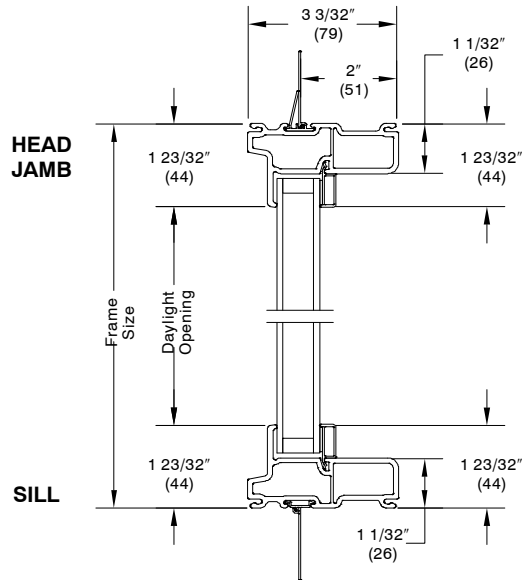


RT6

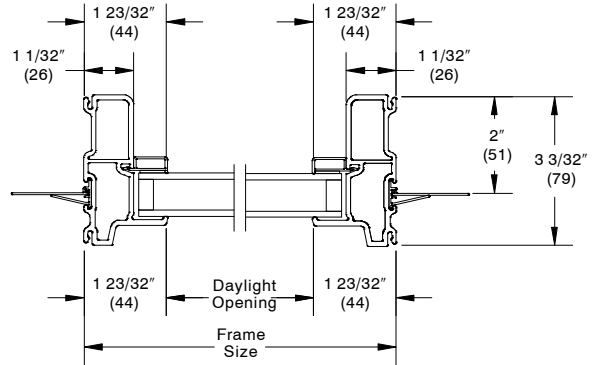
NOTE: Divided Lites for special sizes will default to the next smaller standard size.

**SECTION DETAILS**

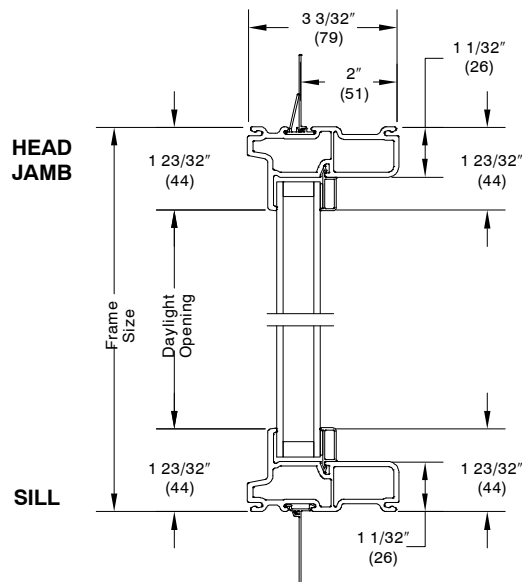
**True Half (RT1)**



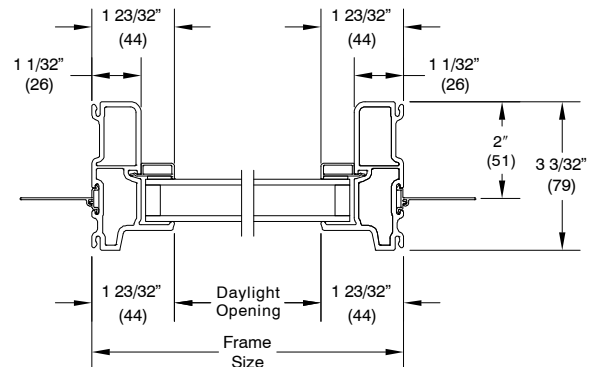
**JAMB**



**True Half Above Springline (RT2)  
Eyebrow Above Springline (RT6)**



**JAMB**



**MULLING GUIDELINES FOR ROUND TOP ASSEMBLIES**

Factory mullered assemblies can be made up of a maximum of 6 units.

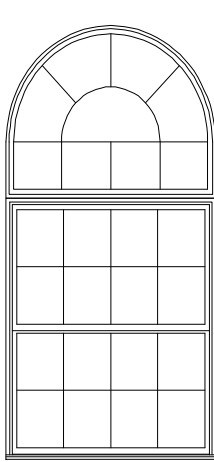
The upper unit must be equal in width to the lower unit/assembly.

All mulls are 1/2" (13) space mulls. Both horizontal and vertical field mull kits are available.

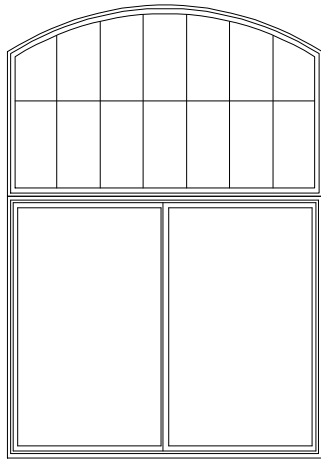
**MAXIMUM ROUGH OPENING** not to exceed 96" (2438) X 96" (2438) Allowable configuration 5W2H  
IFRT to IFCA, IFAWN, IFSWP, IFSWT, IFSH, IFDH, IFSLP, IFSLT, IFDGP (Rect)

**MAXIMUM ROUGH OPENING** not to exceed 72" (1829) x 78" (1981) Allowable configuration 2W2H  
IFRT to IFGL (Rect)

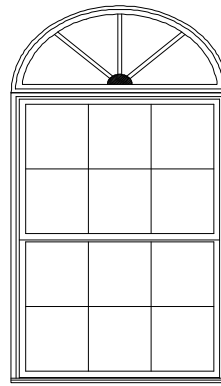
**NOTE: FIELD MULLING BEYOND THE ABOVE LIMITATIONS IS NOT RECOMMENDED.**



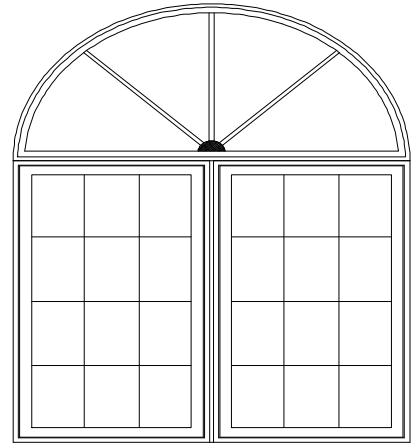
IFRT(RT2) 4010  
over  
IFDH 4046



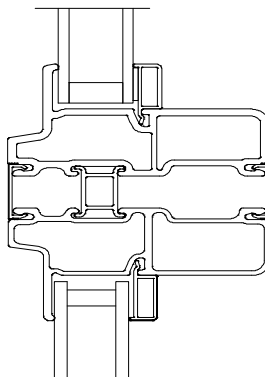
IFRT(RT6) 6026  
over  
IFGL 6046



IFRT(RT1)3016 over  
IFDH3050



IFRT(RT1)5026 over  
IFCA2646-2W

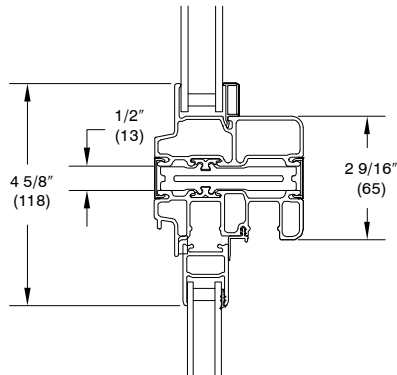


**Direct Glaze Round Top  
over Direct Glaze Polygon**

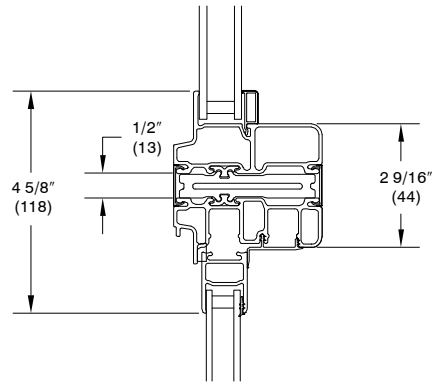
**NOTE:**

RT1 Open Hub defaults to 6.25" radius unless specified, with a 4.5" minimum radius. When ordered as a factory mull, the RT1 Open Hub will align with the lite pattern of the lower unit.

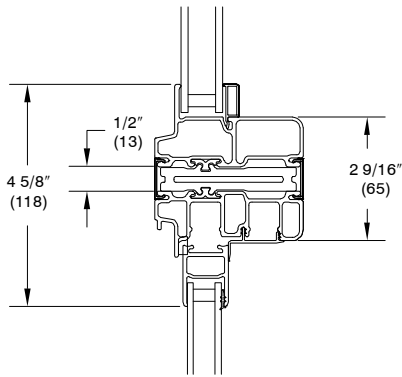
**REINFORCED MULLION DETAIL**



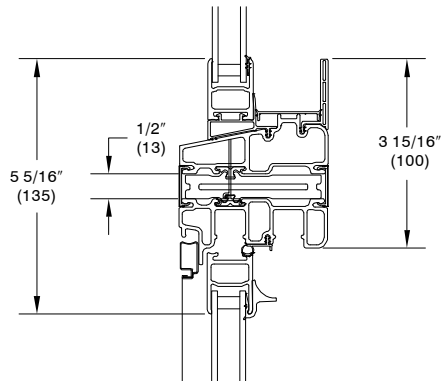
**Horizontal Certified Mull  
IFSH to IFRT**



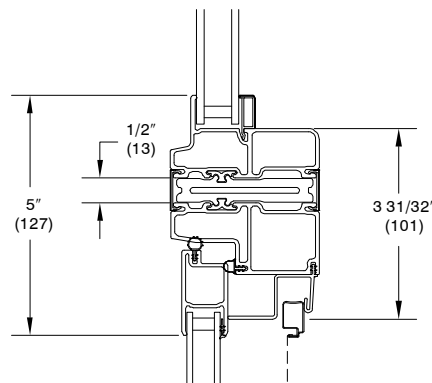
**Horizontal Certified Mull  
IFSLP to IFRT**



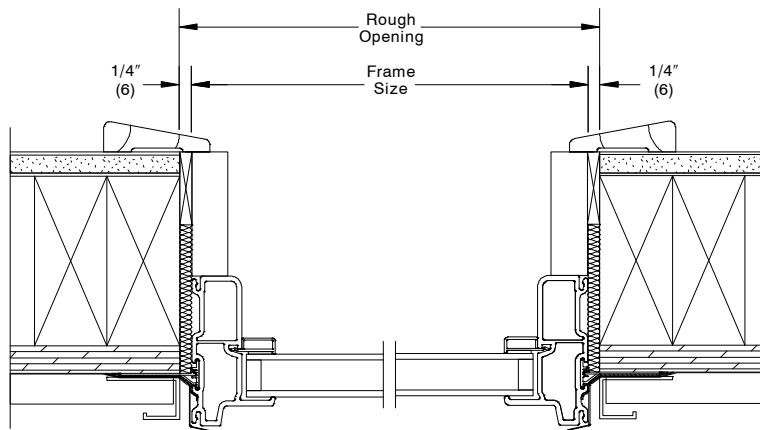
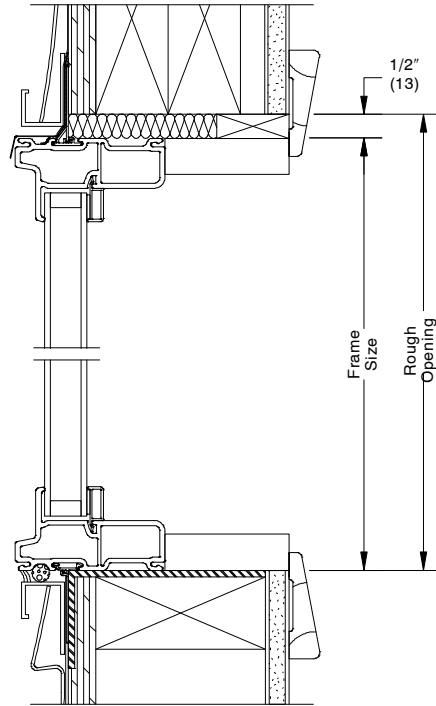
**Horizontal Certified Mull  
IFRT to IFDGP**



**Horizontal Certified Mull  
IFRT to IFDH**



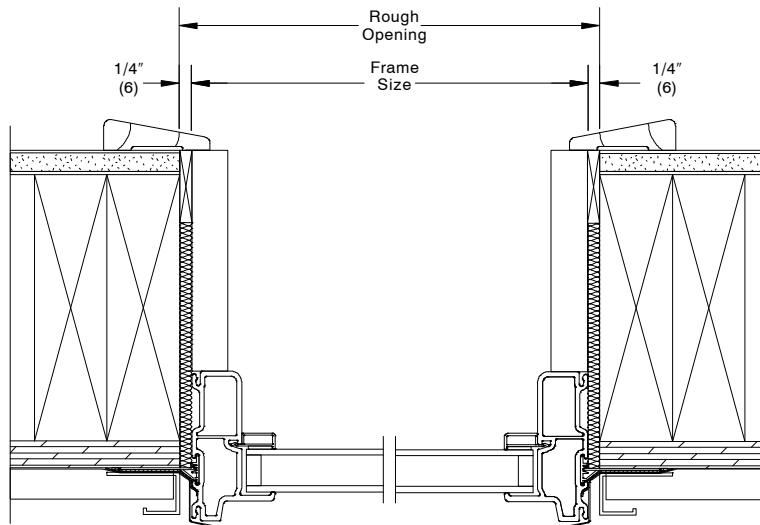
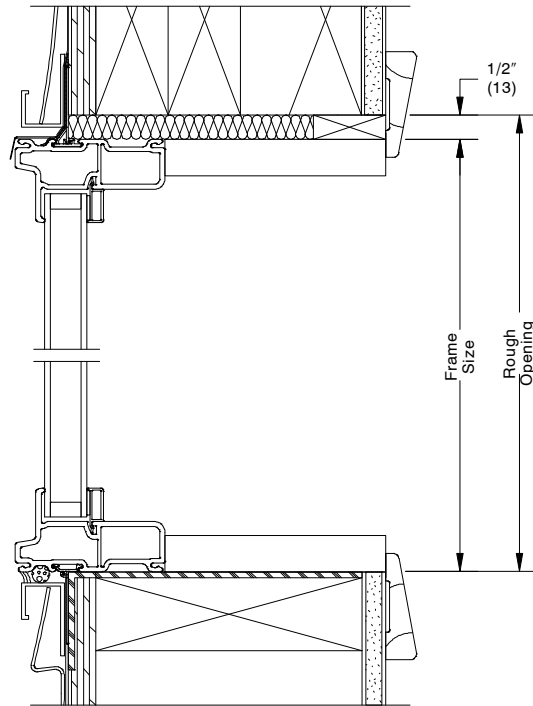
**Horizontal Certified Mull  
IFCA/IFAWN/IFSWP to IFRT**



**VINYL SIDING WITH 2X4 FRAME CONSTRUCTION**

**NOTE:**

The above wall sections represent typical wall conditions, these details are not intended as installation instructions. Please refer to the installation instructions provided with the purchased units.

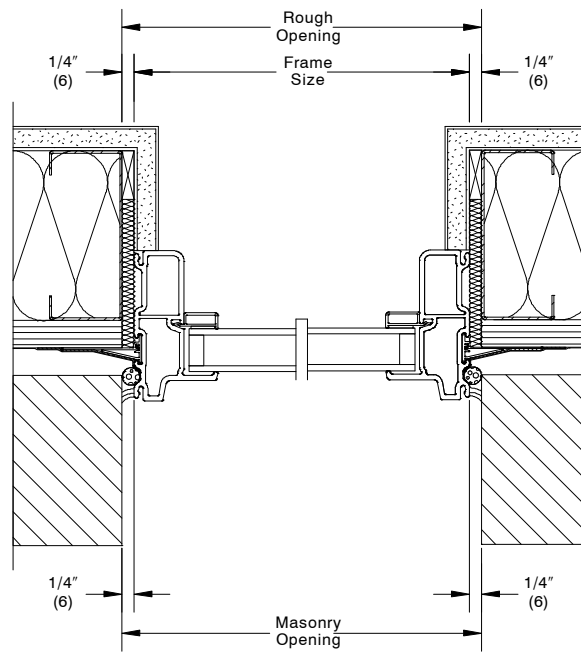
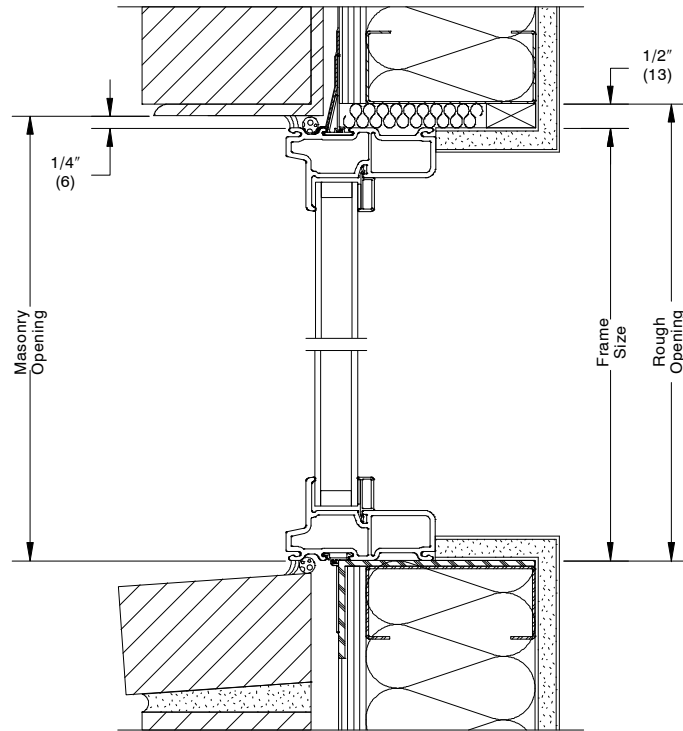


**VINYL SIDING WITH 2X6 FRAME CONSTRUCTION**

**NOTE:**

The above wall sections represent typical wall conditions, these details are not intended as installation instructions. Please refer to the installation instructions provided with the purchased units.

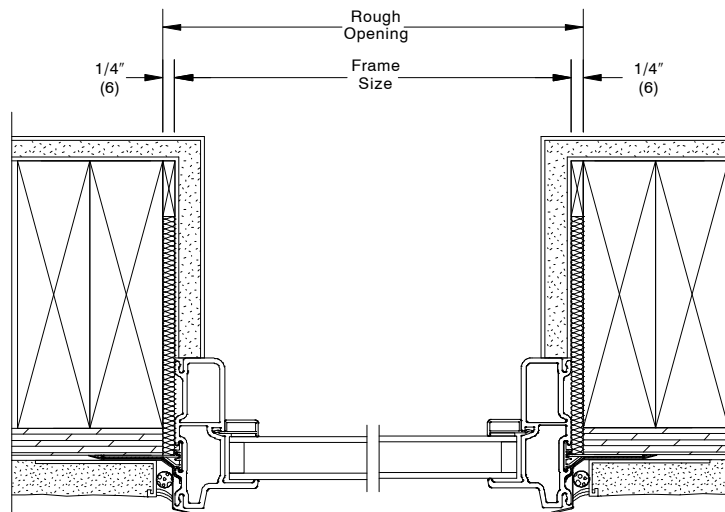
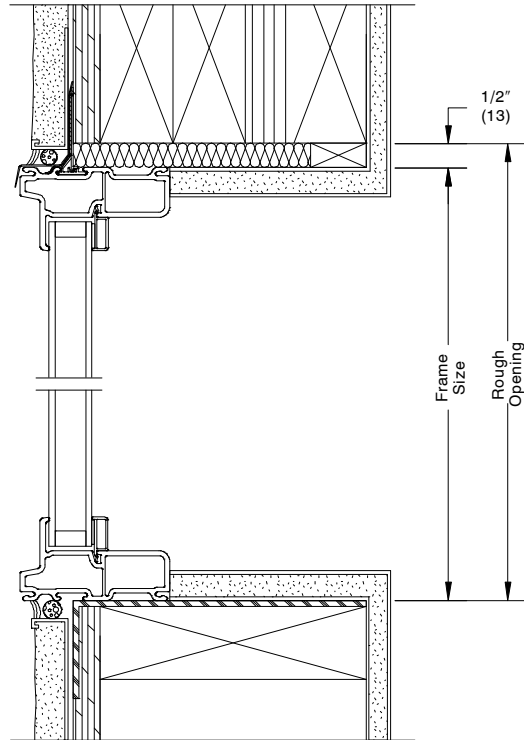




**BRICK VENEER WITH STEEL FRAME CONSTRUCTION**

**NOTE:**

The above wall sections represent typical wall conditions, these details are not intended as installation instructions. Please refer to the installation instructions provided with the purchased units.



**STUCCO WITH 2X4 FRAME CONSTRUCTION**

**NOTE:**

The above wall sections represent typical wall conditions, these details are not intended as installation instructions. Please refer to the installation instructions provided with the purchased units.