

# CHAPTER 9

## INTEGRITY WOOD-ULTREX INSWING FRENCH DOOR

Unit Features .....	9.2
Minimum and Maximum Guidelines and Certified Sizes .....	9.3
Egress Measurements .....	9.4
Egress Formula .....	9.5
Conversions .....	9.6
Mulling Guidelines .....	9.7
Standard Size Charts and Elevations .....	9.8
Section Details – 4 9/16" Jamb .....	9.14
Section Details – 6 9/16" Jamb .....	9.18
Section Details – Transom Stand Alone 4 9/16" and 6 9/16" Jamb .....	9.22
Section Details – Mullion .....	9.23
Divided Lite Options .....	9.24
Installation Suggestions .....	9.26

### **ATTENTION:**

- Specifications and technical data are subject to change without notice.
- Number in parentheses () following measurements are the metric equivalents in millimeters rounded to the nearest whole number
- Allow 1/16" (2) tolerance on all measurements.
- Interior mullion trim are shipped loose for field installation.
- For answers to technical questions about Integrity products you may call our Integrity Support Line: 1-800-587-2712.
- Website: [www.integritywindows.com](http://www.integritywindows.com)

**UNIT FEATURES**

---

**FRAME AND PANEL:**

The frame and panel exteriors are made of Ultrex<sup>®</sup>, an advanced fiber reinforced material that is resistant to thermal conductance. Ultrex patented coating system meets all the requirements of AAMA 624-10. Exterior colors: Stone White, Pebble Gray, Bronze, Evergreen, Cashmere, or Ebony. The interior is non finger-jointed pine, kiln dried to a moisture content of 6–12% at time of fabrication. Water-repellant, preservative treated in accordance with WDMA I.S.4. Interior wood is available as Pine bare wood or factory-applied white interior finish.

**FRAME:**

Composite frame thickness is 1 5/16" (33). Frame width of 4 9/16" (116). The sill is Ultrex with oak interior sill liner. 4/4 non finger-jointed pine interior stop is applied to all units. Ultrex is .080" (2) thick.

**PANEL:**

Composite sash thickness of 1 3/4" (44), stiles and top rail width, 3 5/8" (92), bottom rail width 6" (152) Ultrex is .110" (3) thick.

**JAMB EXTENSION:**

6 9/16" (167) available in one piece jamb. 6 13/16" (173) jamb extension available factory applied or in lineal lengths for field application. Assemblies with 6 13/16" jamb extensions add 1/4" to width and 1/8" to height of Rough Opening.

**HARDWARE:**

Multi-point lock, latch, and deadbolt assembly included with each door. Handle has a standard deadbolt and top and bottom shoot bolts are operated by the handle set. Handle set: interior and exterior selected separately. Standard finish is Almond Frost. Optional White, Bright Brass PVD, Oil Rubbed Bronze PVD, and Satin Nickel PVD. Standard locking strike plate will be stainless steel, with an optional brass strike on "X" doors. Hinges contain both a horizontal and vertical adjustment feature. Three hinges are used on units with a frame size less than or equal to 82" (2083). Four hinges used per unit with frame height greater than 82" (2083). Standard color is Almond. Hinge kits are available in Gold, Grey, White, and Dark Brown powder coat painted finishes. Keyed alike option is available.

**INSTALLATION:**

Factory applied folding nailing fin and drip cap system. Optional installation brackets for masonry available. Factory supplied field mulling kits are available for standard assemblies.

**GLAZING:**

All units are manufactured with a 3/4" (19mm) Tempered Insulating Glass with Low E2, E3 and E1 coatings including argon gas fill. All glass is of a select quality complying with ASTM C 1036. Insulating glass is manufactured and tested to pass level ASTM E 2190 and is IGCC certified. The glazing seal is a silicone bedding on both interior and exterior surfaces utilized in a sandwich style sash. STC/OITC values are available for 3.1/3.1 standard glass. Optional 3.1/4.7 STC/OITC Upgrade glass is available. STC and OITC ratings are tested in accordance with ASTM E 90-09. See the Product Performance chapter for values.

**WEATHER STRIP:**

All weather strip is beige in color. All units are constructed with weather strip at all panel perimeter joints. Jambs, head jamb, astragal, and mull post utilize a foam leaf type weather strip. Santoprene sill weather strip to seal against the bottom rail and panel drip. Bottom rail utilizes a rigid panel drip. Interlocks use full length leaf style weather strip.

**INSECT SCREEN:**

Top-hung extruded aluminum screen for XO, OX configurations. Top hung roller assembly with stainless steel ball bearings and nylon wheels, top rollers adjustable up to 3/8 inch (10). Frame to have edge mounted wool pile bug strip. Flush mounted ridged nylon black handle on both sides of screen. Rigid PVC glide. Extruded aluminum swinging screen for 1 panel and 2 panel XX door: Aluminum frame to match exterior Ultrex color. Charcoal color fiberglass (non-corrosive) screen cloth. Includes black handle, latch, pneumatic closure and sweep.

**REMOVABLE INTERIOR GRILLES:**

Bar: Pine wood, 3/4" (19) Pattern: Standard rectangular pattern. Available in Pine bare wood or factory applied white finish.

**INTERIOR / EXTERIOR SIMULATED DIVIDED LITES (SDL):**

Interior bar: 7/8" (22) wide bars. Pine bare wood or factory applied white finish, to match interior. Exterior bar: Ultrex, 7/8" (22) wide bars, finish to match exterior. Patterns available: rectangle, 9 lite Prairie cut or Cottage style cut.

**GRILLES-BETWEEN-THE-GLASS (GBG):**

11/16" (17) white contoured aluminum bar placed between two panes of glass. Pattern: Standard rectangular pattern, 9 lite per panel prairie cut, or 6 lite prairie cut on transom. Exterior color determined by panel color. Interior Colors: White or Bronze.

**EXTERIOR CASING:**

Non-integral to the unit. Fastened to the exterior wall with barb and kerf 2" (51) brick mould available as a header and jamb surround. 3 1/2" (89) flat casing available as a header and jamb surround. Also available with 1" (25) ranch style header overhang.

**MINIMUM AND MAXIMUM GUIDELINES AND CERTIFIED SIZES**

Operator/Stationary Units								
Unit Type	Frame Size							
	Min Width		Min Height		Max Width		Max Height	
	in	mm	in	mm	in	mm	in	mm
1 – PanelOperator	30 5/16	(770)	79 1/2	(2019)	36 5/16	(922)	95 1/2	(2426)
2 – PanelOperator	59	(1499)	79 1/2	(2019)	71	(1803)	95 1/2	(2426)
Door Transom	36 5/16	(922)	15 3/4	(400)	71	(1803)	15 3/4	(400)

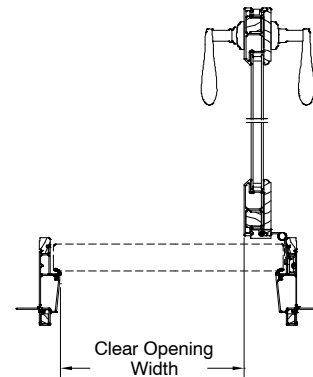
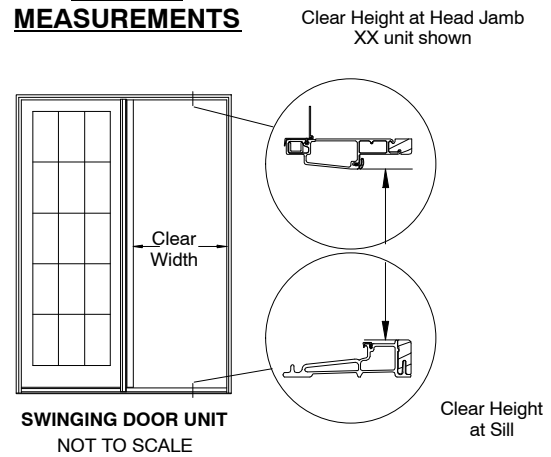
NOTE: Special sizes are available in 1/64" increments, not to exceed the minimum or maximum listed above.

Product	Air Tested to psf	Water Tested to psf	Design Pressure (DP)	Certification Rating	Max Overall Width		Max Overall Height	
					in	mm	in	mm
Integrity Inswing French Door (OX / XO)	1.57	4.50	30	LC-PG30-SHD	71	(1803)	95.5	(2426)
Integrity Inswing French Door (XX)	1.57	4.50	30	LC-PG30-SHD	71	(1803)	95.5	(2426)
Integrity Inswing French Door (X)	1.57	4.50	30	LC-PG30-SHD	36.319	(923)	95.5	(2426)
Integrity Inswing French Door (O)	1.57	4.50	30	LC-PG30-SHD	36.319	(923)	95.5	(2426)

**EGRESS MEASUREMENTS**

Net Clear Opening Wood Ultrex In-Swing French Door			
Width			
Unit Type	Call Number	Net Clear Openings	
		ft-in	mm
1 Panel Operator (X)	2-6	2-1 11/16	(652)
	2-8	2-3 11/16	(703)
	3-0	2-7 11/16	(805)
2 Panel Operator (OX / XO)	5-0	2-1 19/32	(650)
	5-4	2-3 19/32	(701)
	6-0	2-7 19/32	(803)
2 Panel Operator (XX)	5-0	4-4 13/32	(1331)
	5-4	4-8 13/32	(1433)
	6-0	5-4 13/32	(1636)
Height			
Unit Type	Call Number	Net Clear Openings	
		ft - in	mm
1 Panel (X) and 2 Panel (XX) Configurations	6-5	6-4 17/32	(1944)
	6-8	6-7 1/32	(2007)
	7-0	6-11 1/32	(2109)
	8-0	7-8 17/32	(2350)
2 Panel (OX / OX) Configurations	6-5	6-3 3/8	(1914)
	6-8	6-5 7/8	(1978)
	7-0	6-9 7/8	(2079)
	8-0	7-7 3/8	(2321)

**EGRESS MEASUREMENTS**



Code restrictions may vary depending on your local building codes. For additional information contact your local code department for IBC and IRC requirements.

EGRESS FORMULA

---

Egress Conversion		
Standard Inswing French Door		
Minimum Value for Net Clear Opening	Desired Dimension	Formula
32"	Egress opening width, in	<b>1 Panel Door</b>
		= IIFD Frame OM – 4.644
		<b>2 Panel Door (XO, OX)</b>
		= (IIFD Frame Width / 2) – 3.897
		<b>2 Panel Door (XX)</b>
		= IIFD Frame Width – 6.602
78" (IRC 2012) 80" (IBC 2012)	Egress opening height, in	<b>X, XX Height</b>
		= IIFD Frame Height – 4.14
		<b>XO, OX Height</b>
		= IIFD Frame Height – 2.97

**CONVERSIONS**

Unit Measurements – Stationary and Operating Panels		Width 1W		Width 2W		Height		
From	To							
Frame		in	mm		in	mm	in	mm
Masonry Opening	Rough Opening	+ 1/2	(13)		+ 1/2	(13)	+ 1/4	(6)
Masonry Opening w/BMC	Rough Opening	+ 1/2	(13)		+ 1/2	(13)	+ 1/4	(6)
OM of Frame	Rough Opening	+ 1	(25)		+ 1	(25)	+ 1/2	(13)
Daylight Opening	Rough Opening	+ 9 31/32	(253)	× 2	+ 17 5/16	(440)	+ 12 29/32	(328)
Panel		in	mm		in	mm	in	mm
OM of Frame	OM of Panel	-1 23/32	(44)	+ 2	-29/32	(23)	-2 25/32	(71)
Daylight Opening	OM of Panel	+ 7 1/4	(184)		+ 7 1/4	(184)	+ 9 5/8	(244)
Glass		in	mm		in	mm	in	mm
Daylight Opening	Glass	+ 1 1/4	(32)		+ 1 1/4	(32)	+ 1 3/16	(30)
Sliding Screen		in	mm		in	mm	in	mm
OM of Frame	OM of Screen			+ 2	-5/16	(8)	-1 3/4	(44)
Daylight Opening	OM of Screen				+ 7 27/32	(199)	+ 10 21/32	(271)
Swinging Screen		in	mm		in	mm	in	mm
OM of Frame	OM of Screen	-1 7/8	(47)	+ 2	-1 3/8	(35)	-2 1/8	(54)
Daylight Opening	OM of Screen	+ 7 1/8	(181)		+ 6 25/32	(172)	+ 10 9/32	(261)

Unit Measurements – Transoms		Width		Height	
From	To				
Frame		in	mm	in	mm
Masonry Opening	Rough Opening	+ 1/2	(13)	+ 1/4	(6)
Masonry Opening w/BMC	Rough Opening	+ 1/2	(13)	+ 1/4	(6)
OM of Frame	Rough Opening	+ 1	(25)	+ 1/2	(13)
Daylight Opening	Rough Opening	+ 5 3/8	(137)	+ 4 7/8	(124)
Frame		in	mm	in	mm
Daylight Opening	Frame	+ 4 3/8	(111)	+ 4 3/8	(111)
Glass		in	mm	in	mm
Daylight Opening	Glass	+ 1 9/16	(40)	+ 1 9/16	(40)

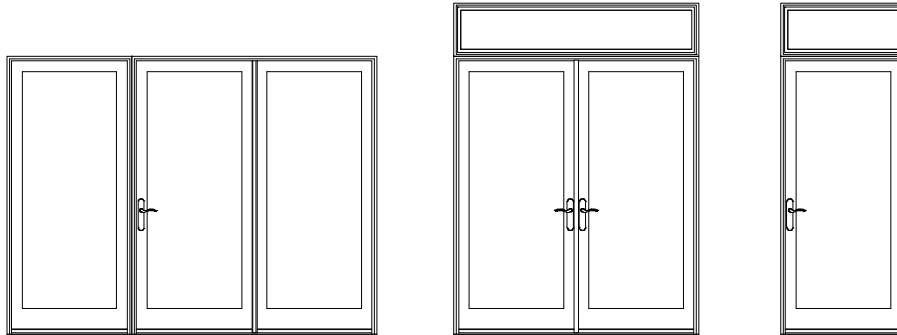
## MULLING GUIDELINES

---

Multiple assemblies can be factory mulled

- Assemblies up to 3 units wide by 1 unit high
  - **MAXIMUM ROUGH OPENING** not to exceed 109 15/16" (2792) X 96" (2438)
- Assemblies up to 2 units wide by 2 units high
  - **MAXIMUM ROUGH OPENING** not to exceed 73 5/8" (1870) X 100 1/2" (2552)

**NOTE:** FIELD MULLING BEYOND 110" x 112" IS NOT RECOMMENDED



### ROUGH OPENING TABLE FOR ASSEMBLIES

WIDTH: Single unit Rough Opening width MINUS 1" = Frame width.  
 ADD **all** frame widths PLUS 1" = Total Rough Opening Width.

HEIGHT: Single unit Rough Opening height MINUS 1/2" = Frame height.  
 ADD **all** frame heights PLUS 1/2" = Total Rough Opening Height.

**NOTE:** Assemblies with 6 13/16" jamb extensions  
 add 1/4" to width and 1/8" to height of Rough Opening.

**STANDARD SIZE CHART**

Standard Inswing Unit Measurements											
Width											
Unit Type	Call Number	Masonry Opening		Rough Opening		Frame Size		Panel OM		Daylight Opening	
		ft - in	mm	ft - in	mm	ft - in	mm	ft-in	mm	ft - in	mm
1 Panel	2-6	2-6 13/16	(783)	2-7 5/16	(796)	2-6 5/16	(770)	2-4 19/32	(726)	1-9 11/32	(542)
	2-8	2-8 13/16	(834)	2-9 5/16	(846)	2-8 5/16	(821)	2-6 19/32	(777)	1-11 11/32	(593)
	3-0	3-0 13/16	(935)	3-1 5/16	(948)	3-0 5/16	(923)	2-10 19/32	(879)	2-3 11/32	(695)
2 Panel	5-0	4-11 1/2	(1511)	5-0	(1524)	4-11	(1499)	2-4 19/32	(726)	1-9 11/32	(542)
	5-4	5-3 1/2	(1613)	5-4	(1626)	5-3	(1600)	2-6 19/32	(777)	1-11 11/32	(593)
	6-0	5-11 1/2	(1816)	6-0	(1829)	5-11	(1803)	2-10 19/32	(879)	2-3 11/32	(695)
Height											
Unit Type	Call Number	Masonry Opening		Rough Opening		Frame Size		Panel OM		Daylight Opening	
		ft - in	mm	ft - in	mm	ft - in	mm	ft-in	mm	ft - in	mm
All Configurations	6-5	6-7 3/4	(2026)	6-8	(2032)	6-7 1/2	(2019)	6-4 23/32	(1949)	5-7 3/32	(1704)
	6-8	6-10 1/4	(2089)	6-10 1/2	(2096)	6-10	(2083)	6-7 7/32	(2012)	5-9 19/32	(1768)
	7-0	7-2 1/4	(2191)	7-2 1/2	(2197)	7-2	(2184)	6-11 7/32	(2114)	6-1 19/32	(1869)
	8-0	7-11 3/4	(2432)	8-0	(2438)	7-11 1/2	(2426)	7-8 23/32	(2355)	6-11 3/32	(2111)

Standard Direct Glaze Door Transom Unit Measurements									
Width									
Unit Type	Call Number	Masonry Opening		Rough Opening		Frame Size		Daylight Opening	
		ft - in	mm	ft - in	mm	ft - in	mm	ft - in	mm
Direct Glaze	3-6	3-0 13/16	(935)	3-1 5/16	(948)	3-0 5/16	(922)	2-7 15/16	(811)
	7-2	5-11 1/2	(1816)	6-0	(1829)	5-11	(1803)	5-6 5/8	(1692)
	10-8	8-11 13/16	(2738)	9-0 5/16	(2751)	8-11 5/16	(2726)	8-6 15/16	(2615)
Height									
Unit Type	Call Number	Masonry Opening		Rough Opening		Frame Size		Daylight Opening	
		ft - in	mm	ft - in	mm	ft - in	mm	ft - in	mm
All Configurations	1-6	1-4	(406)	1-4 1/4	(413)	1-3 3/4	(400)	0-11 3/8	(289)



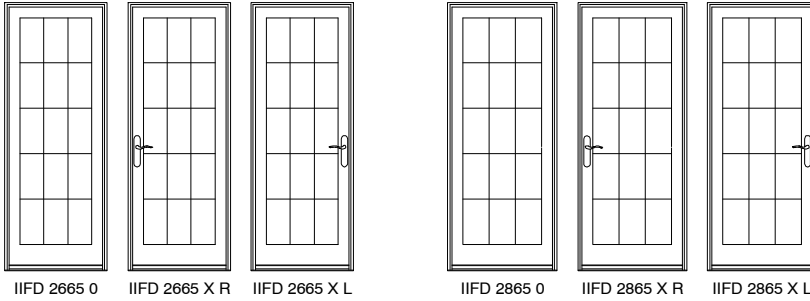
ELEVATIONS 1 AND 2 PANEL DOORS 6/5 HT

Mas. Opg.  
 Rhg. Opg.  
 Frame Size

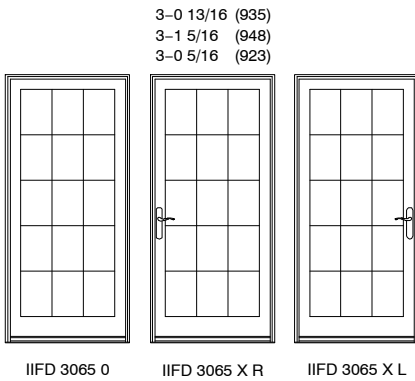
2-6 13/16 (783)  
 2-7 5/16 (796)  
 2-6 5/16 (770)

2-8 13/16 (834)  
 2-9 5/16 (846)  
 2-8 5/16 (821)

6-7 3/4 (2026)  
 6-8 (2032)  
 6-7 1/2 (2019)

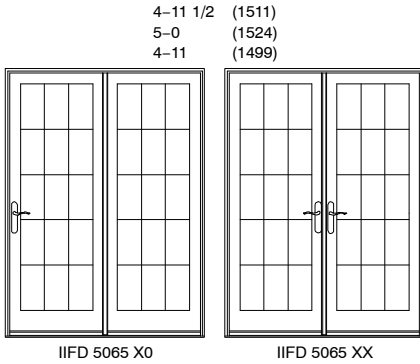


6-7 3/4 (2026)  
 6-8 (2032)  
 6-7 1/2 (2019)



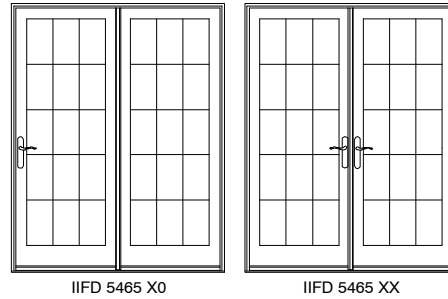
3-0 13/16 (935)  
 3-1 5/16 (948)  
 3-0 5/16 (923)

6-7 3/4 (2026)  
 6-8 (2032)  
 6-7 1/2 (2019)

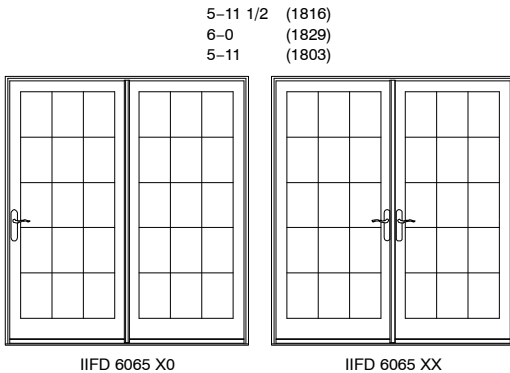


4-11 1/2 (1511)  
 5-0 (1524)  
 4-11 (1499)

5-3 1/2 (1613)  
 5-4 (1626)  
 5-3 (1600)



6-7 3/4 (2026)  
 6-8 (2032)  
 6-7 1/2 (2019)



5-11 1/2 (1816)  
 6-0 (1829)  
 5-11 (1803)

Mas. Opg.  
 Rhg. Opg.  
 Frame Size

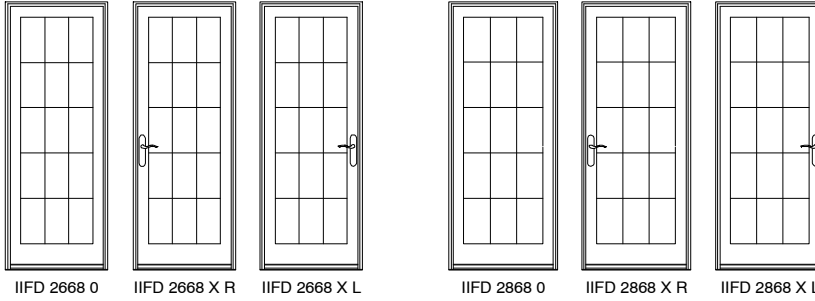
ELEVATIONS 1 AND 2 PANEL DOORS 6/8 HT

Mas. Opg.  
 Rhg. Opg.  
 Frame Size

2-6 13/16 (783)  
 2-7 5/16 (796)  
 2-6 5/16 (770)

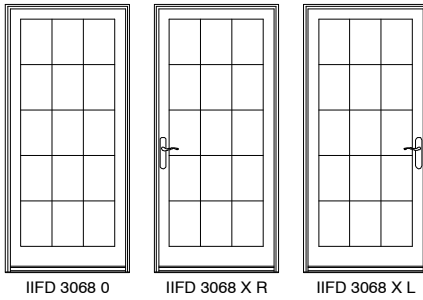
2-8 13/16 (834)  
 2-9 5/16 (846)  
 2-8 5/16 (821)

6-10 1/4 (2026)  
 6-10 1/2 (2086)  
 6-10 (2083)



6-10 1/4 (2026)  
 6-10 1/2 (2086)  
 6-10 (2083)

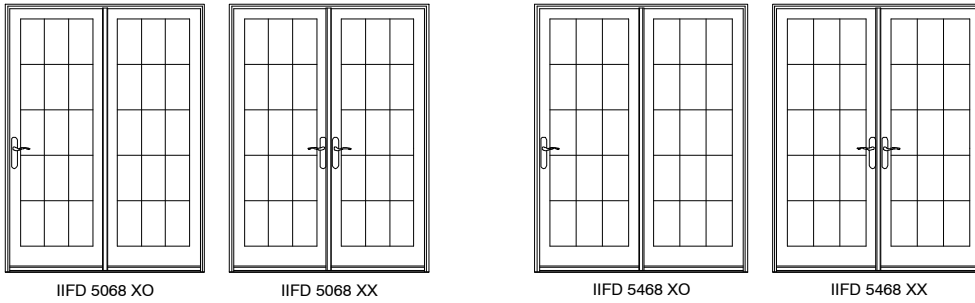
3-0 13/16 (935)  
 3-1 5/16 (948)  
 3-0 5/16 (923)



6-10 1/4 (2026)  
 6-10 1/2 (2086)  
 6-10 (2083)

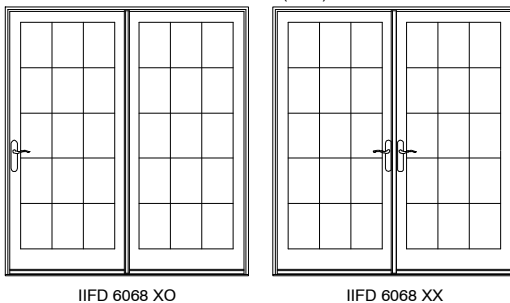
4-11 1/2 (1511)  
 5-0 (1524)  
 4-11 (1499)

5-3 1/2 (1613)  
 5-4 (1626)  
 5-3 (1600)



6-10 1/4 (2026)  
 6-10 1/2 (2086)  
 6-10 (2083)

5-11 1/2 (1816)  
 6-0 (1829)  
 5-11 (1803)



Mas. Opg.  
 Rhg. Opg.  
 Frame Size

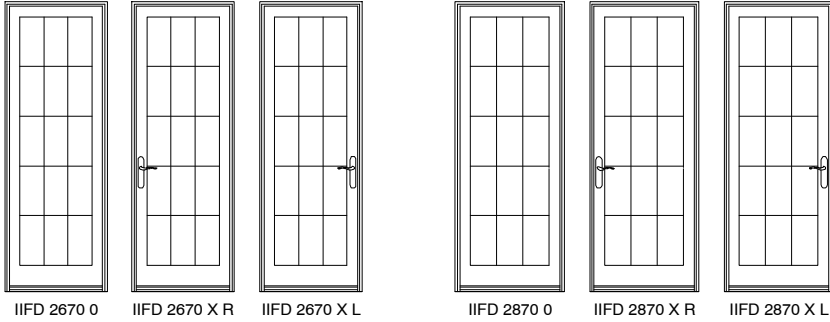
ELEVATIONS 1 AND 2 PANEL DOORS 7/0 HT

Mas. Opg.  
 Rhg. Opg.  
 Frame Size

2-6 13/16 (783)  
 2-7 5/16 (796)  
 2-6 5/16 (770)

2-8 13/16 (834)  
 2-9 5/16 (846)  
 2-8 5/16 (821)

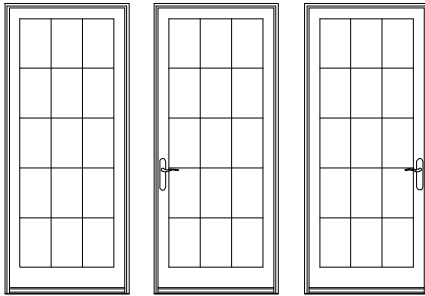
7-2 1/4 (2191)  
 7-2 1/2 (2197)  
 7-2 (2184)



IIFD 2670 0 IIFD 2670 X R IIFD 2670 X L IIFD 2870 0 IIFD 2870 X R IIFD 2870 X L

3-0 13/16 (935)  
 3-1 5/16 (948)  
 3-0 5/16 (923)

7-2 1/4 (2191)  
 7-2 1/2 (2197)  
 7-2 (2184)

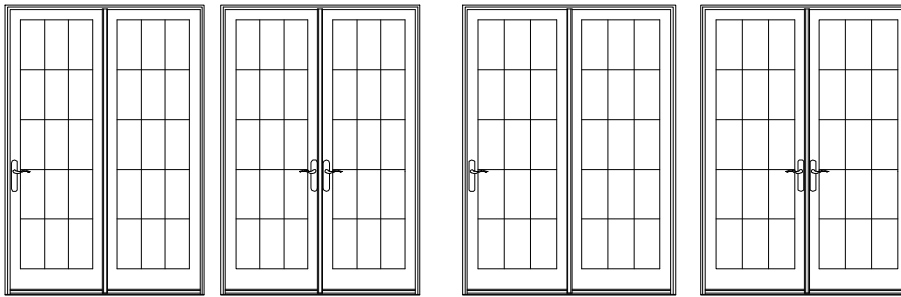


IIFD 3070 0 IIFD 3070 X R IIFD 3070 X L

4-11 1/2 (1511)  
 5-0 (1524)  
 4-11 (1499)

5-3 1/2 (1613)  
 5-4 (1626)  
 5-3 (1600)

7-2 1/4 (2191)  
 7-2 1/2 (2197)  
 7-2 (2184)

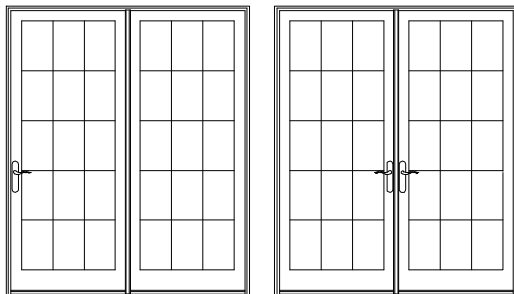


IIFD 5070 X0 IIFD 5070 XX IIFD 5470 X0 IIFD 5470 XX

5-11 1/2 (1816)  
 6-0 (1829)  
 5-11 (1803)

Mas. Opg.  
 Rhg. Opg.  
 Frame Size

7-2 1/4 (2191)  
 7-2 1/2 (2197)  
 7-2 (2184)



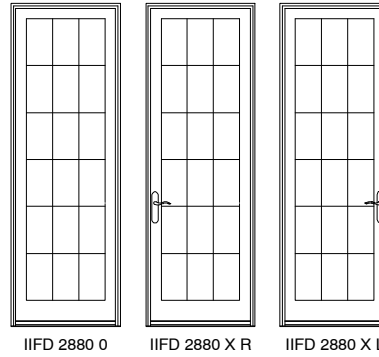
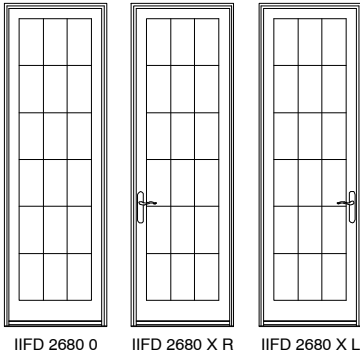
IIFD 6070 X0 IIFD 6070 XX

**ELEVATIONS 1 AND 2 PANEL DOORS 8/0 HT**

Mas. Opg.  
 Rhg. Opg.  
 Frame Size

2-6 13/16 (783)  
 2-7 5/16 (796)  
 2-6 5/16 (770)

2-8 13/16 (834)  
 2-9 5/16 (846)  
 2-8 5/16 (821)

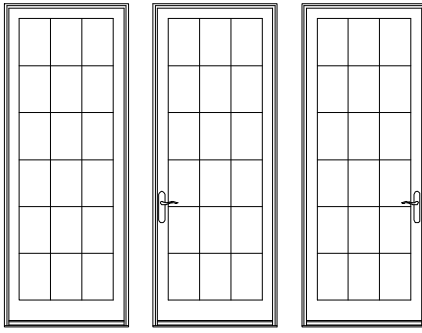


7-11 3/4 (2432)  
 8-0 (2438)  
 7-11 1/2 (2426)

IIFD 2680 0 IIFD 2680 X R IIFD 2680 X L

IIFD 2880 0 IIFD 2880 X R IIFD 2880 X L

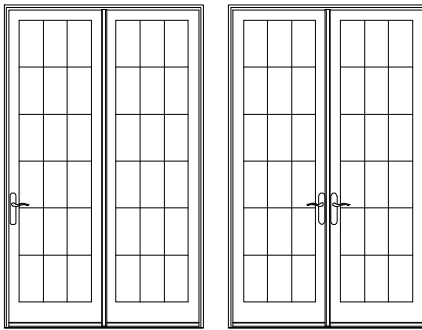
3-0 13/16 (935)  
 3-1 5/16 (948)  
 3-0 5/16 (923)



7-11 3/4 (2432)  
 8-0 (2438)  
 7-11 1/2 (2426)

IIFD 3080 0 IIFD 3080 X R IIFD 3080 X L

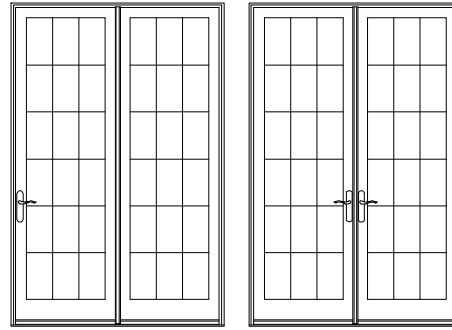
4-11 1/2 (1511)  
 5-0 (1524)  
 4-11 (1499)



7-11 3/4 (2432)  
 8-0 (2438)  
 7-11 1/2 (2426)

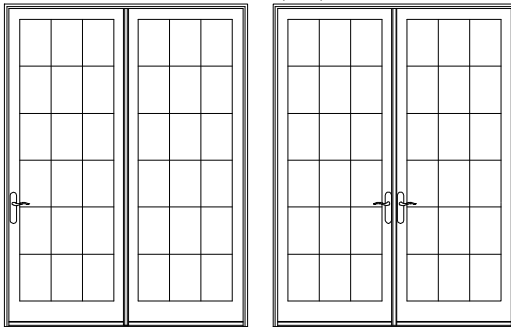
IIFD 5080 X0 IIFD 5080 XX

5-3 1/2 (1613)  
 5-4 (1626)  
 5-3 (1600)



IIFD 5480 X0 IIFD 5480 XX

5-11 1/2 (1816)  
 6-0 (1829)  
 5-11 (1803)



Mas. Opg.  
 Rhg. Opg.  
 Frame Size

7-11 3/4 (2432)  
 8-0 (2438)  
 7-11 1/2 (2426)

IIFD 6080 X0 IIFD 6080 XX

ELEVATIONS STANDARD TRANSOMS

---

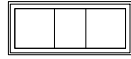
Mas. Opg.  
 Rhg. Opg.  
 Frame Size

3-0 13/16 (935)  
 3-1 5/16 (948)  
 3-0 5/16 (923)

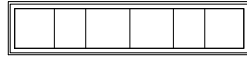
5-11 1/2 (1816)  
 6-0 (1829)  
 5-11 (1803)

2-8 13/16 (834)  
 2-9 5/16 (846)  
 2-8 5/16 (821)

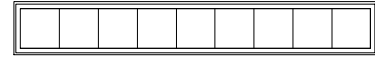
(406)  
 (413)  
 (400)  
 1-4  
 1-4 1/4  
 1-3 3/4



IIFDG 3616



IIFDG 7216

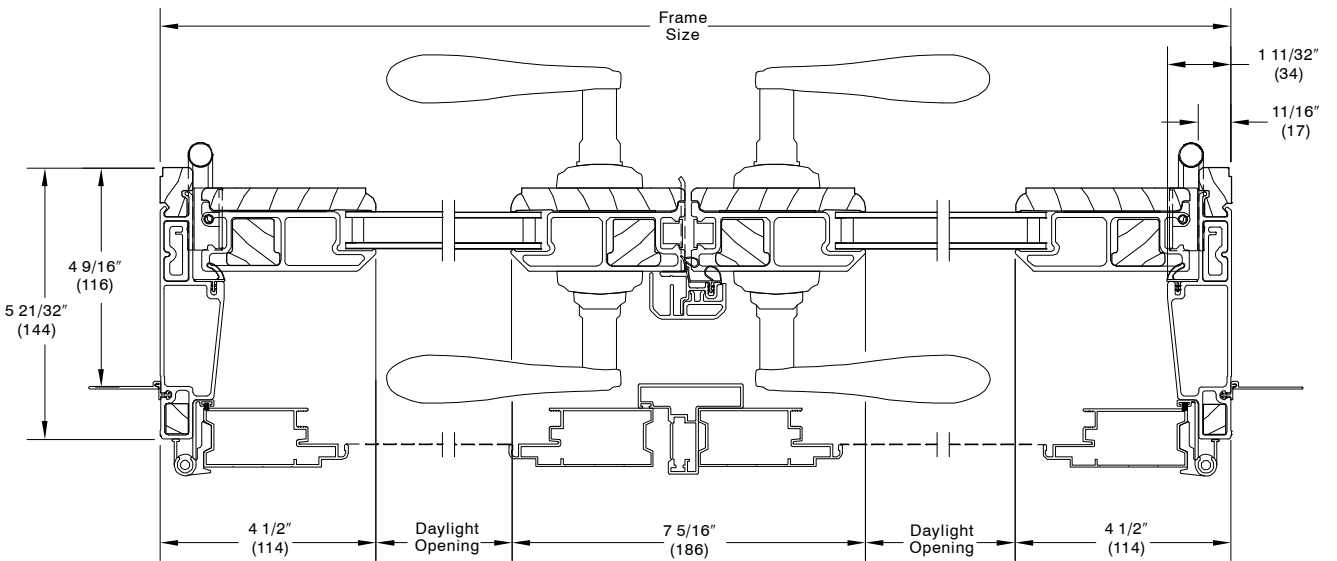
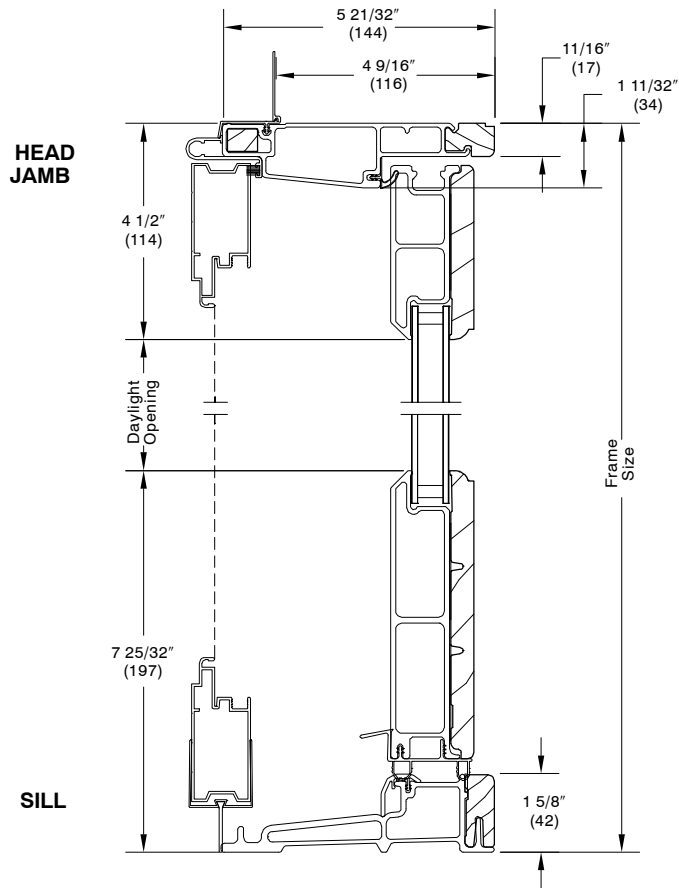


IIFDG 10816

Mas. Opg.  
 Rhg. Opg.  
 Frame Size

SECTION DETAILS – 4 9/16" JAMB – XXR OPERATOR

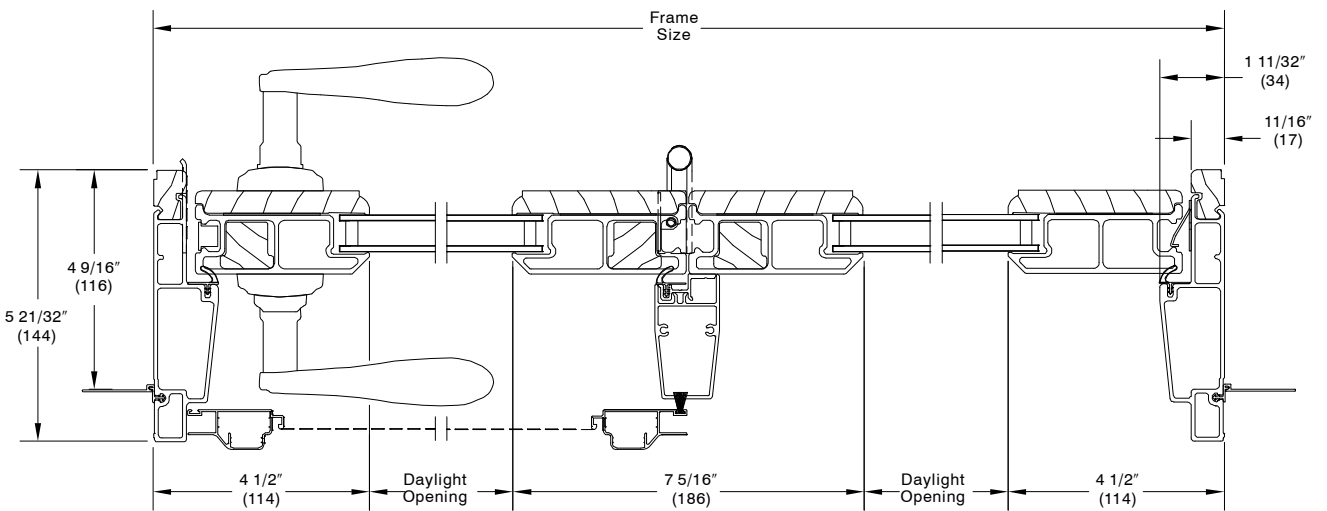
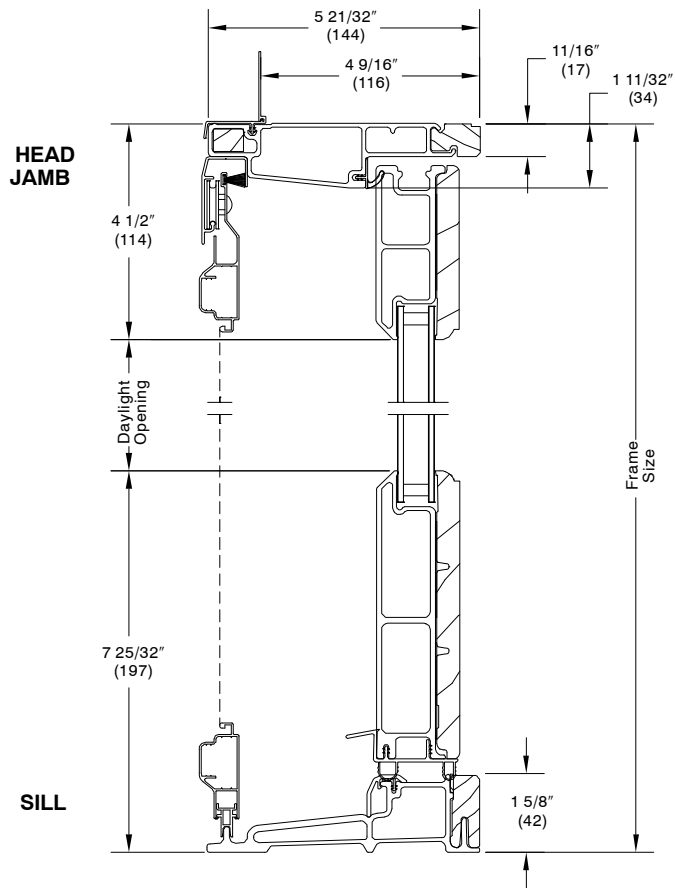
Scale 3" = 1'-0"



2 PANEL JAMB – XXR

**SECTION DETAILS – 4 9/16" JAMB – XO OPERATOR**

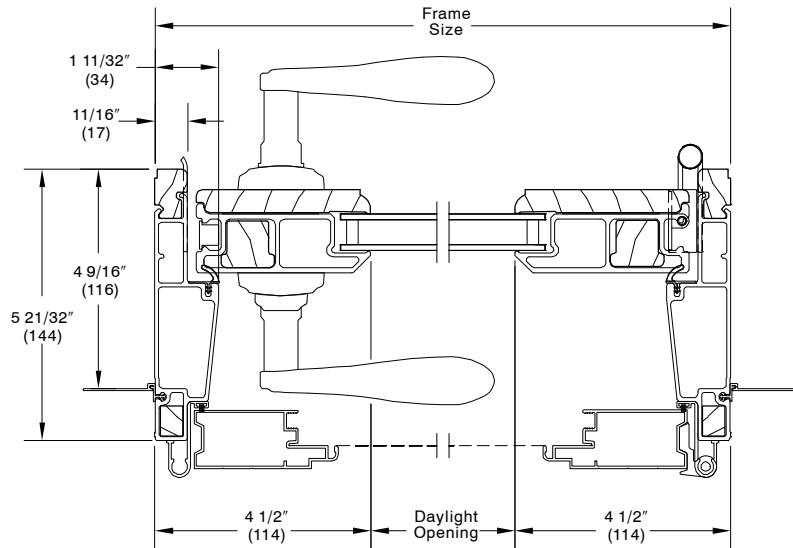
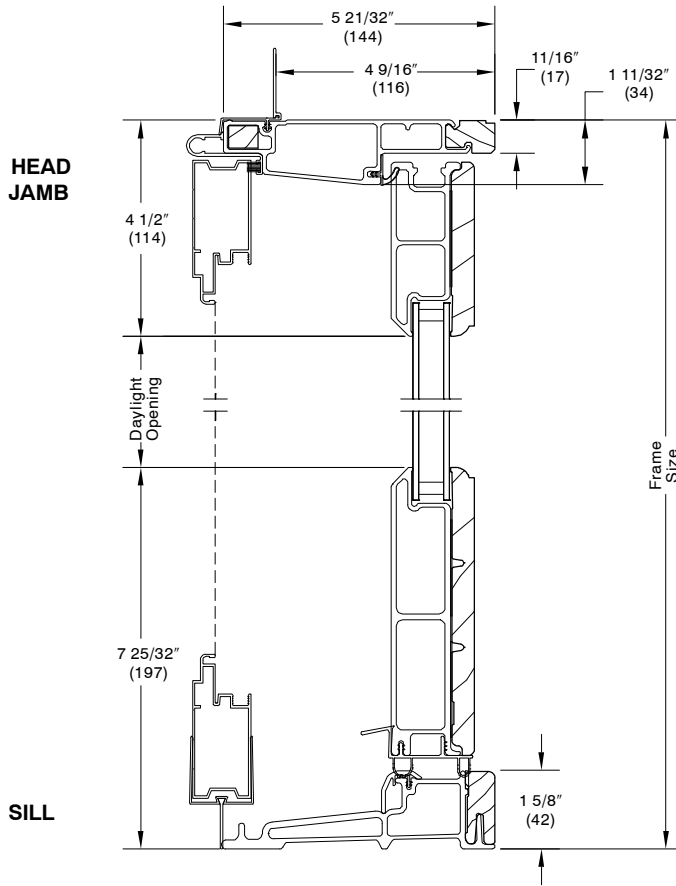
Scale 3" = 1'-0"



**2 PANEL JAMB – XO**

**SECTION DETAILS – 4 9/16" JAMB – X – OPERATOR**

Scale 3" = 1'-0"



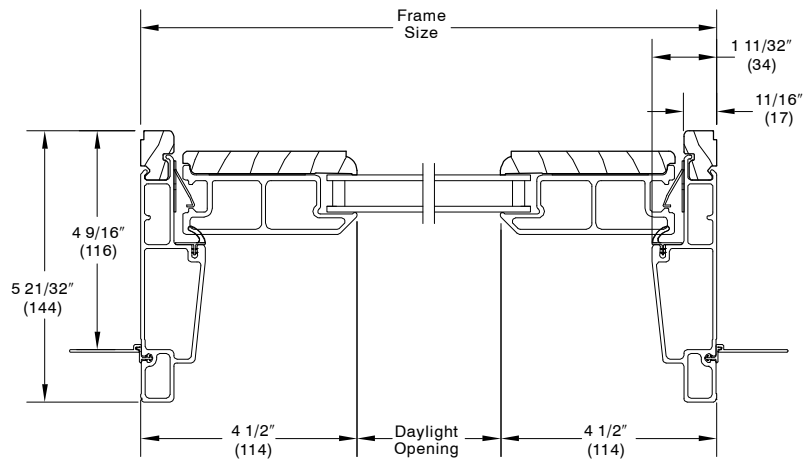
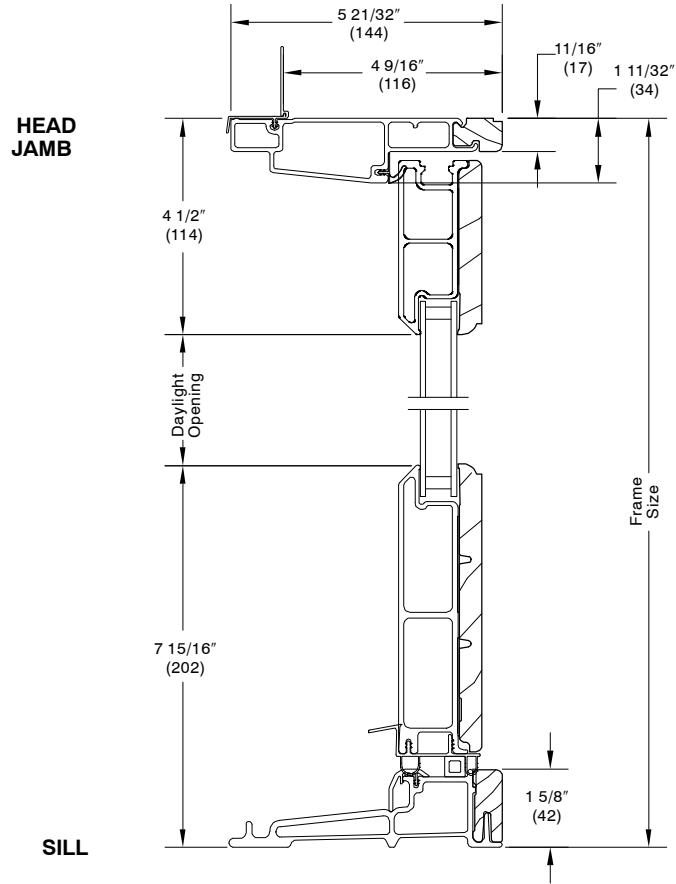
**SINGLE PANEL JAMB – XR**

**NOTE:** Swinging screen available on single panel operation X and 2 panel operation XX.



**SECTION DETAILS – 4 9/16" JAMB – STATIONARY**

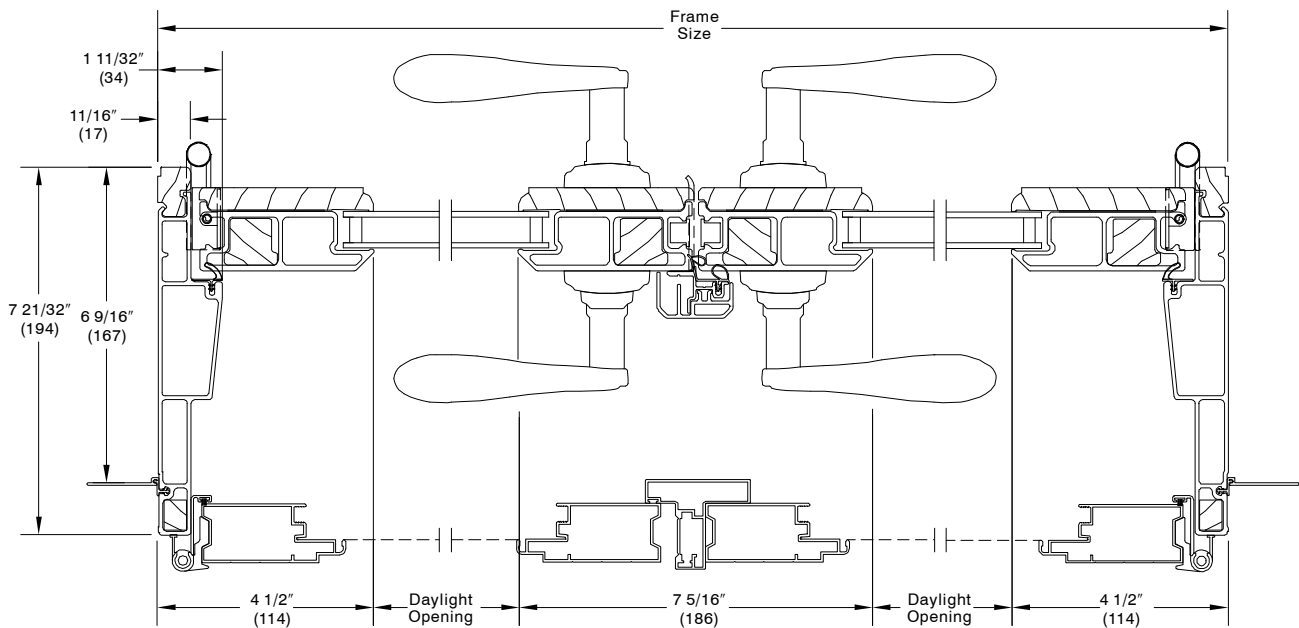
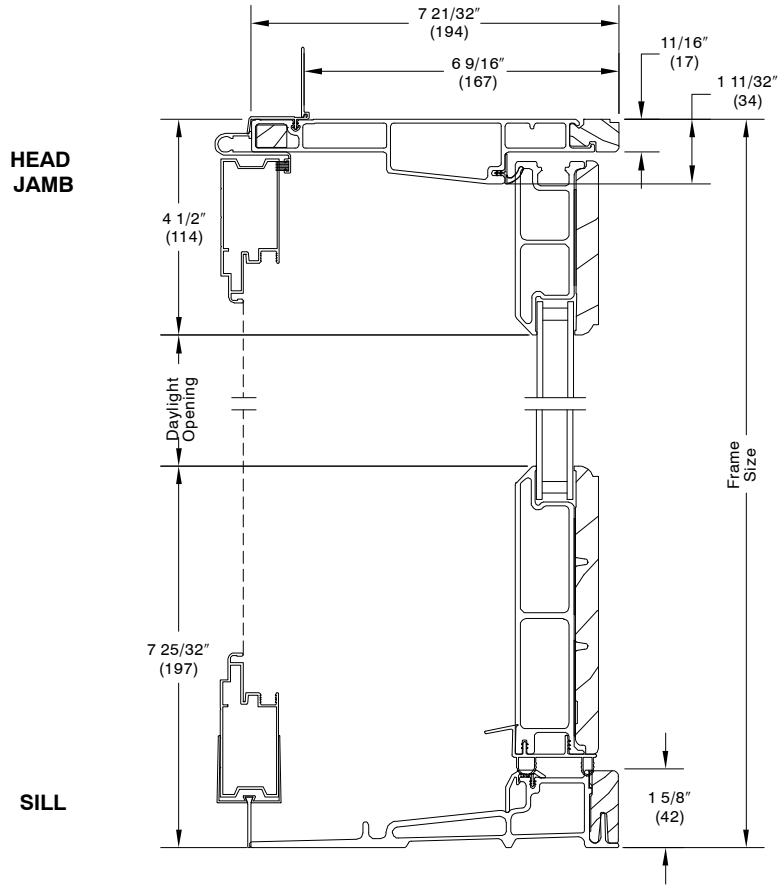
Scale 3" = 1'-0"



**SINGLE PANEL JAMB – O STATIONARY**

SECTION DETAILS – 6 9/16" JAMB – XXR OPERATOR

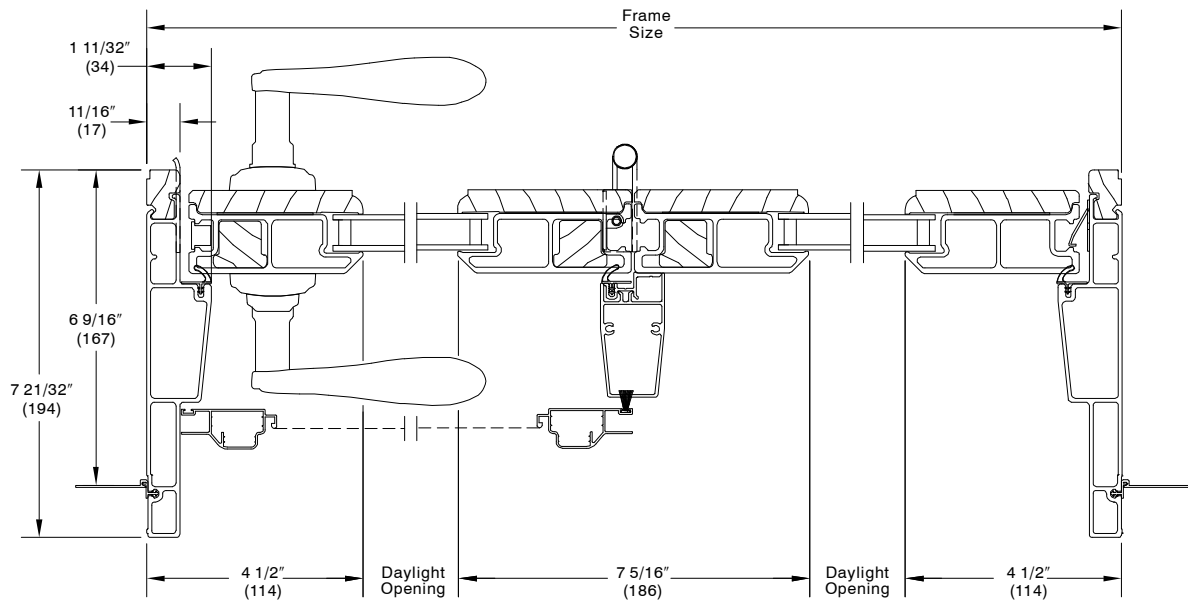
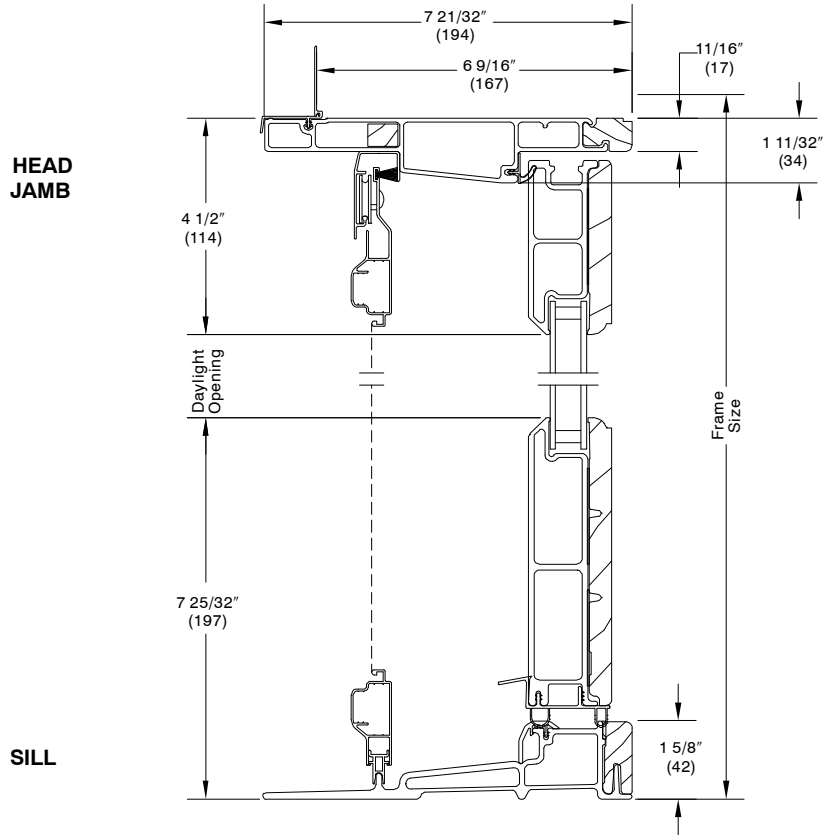
Scale 3" = 1'-0"



2 PANEL JAMB – XXR

SECTION DETAILS – 6 9/16" JAMB – XO OPERATOR

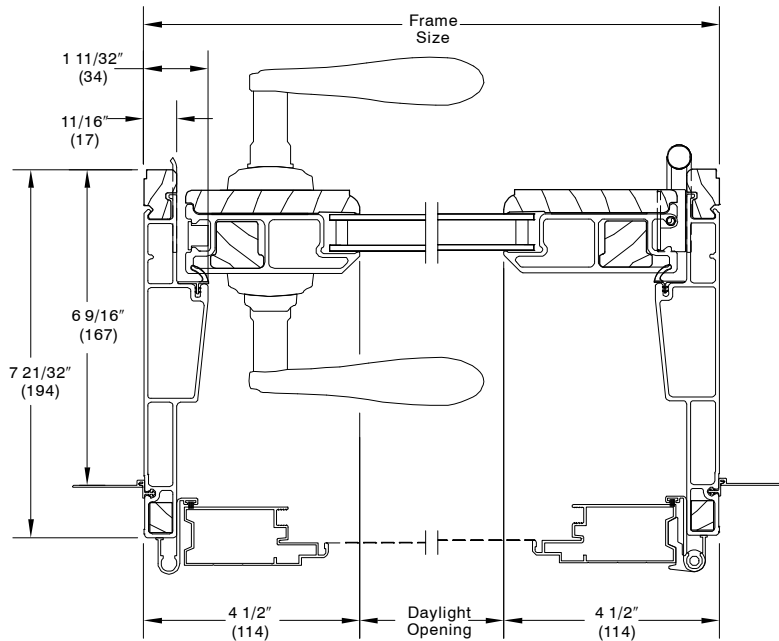
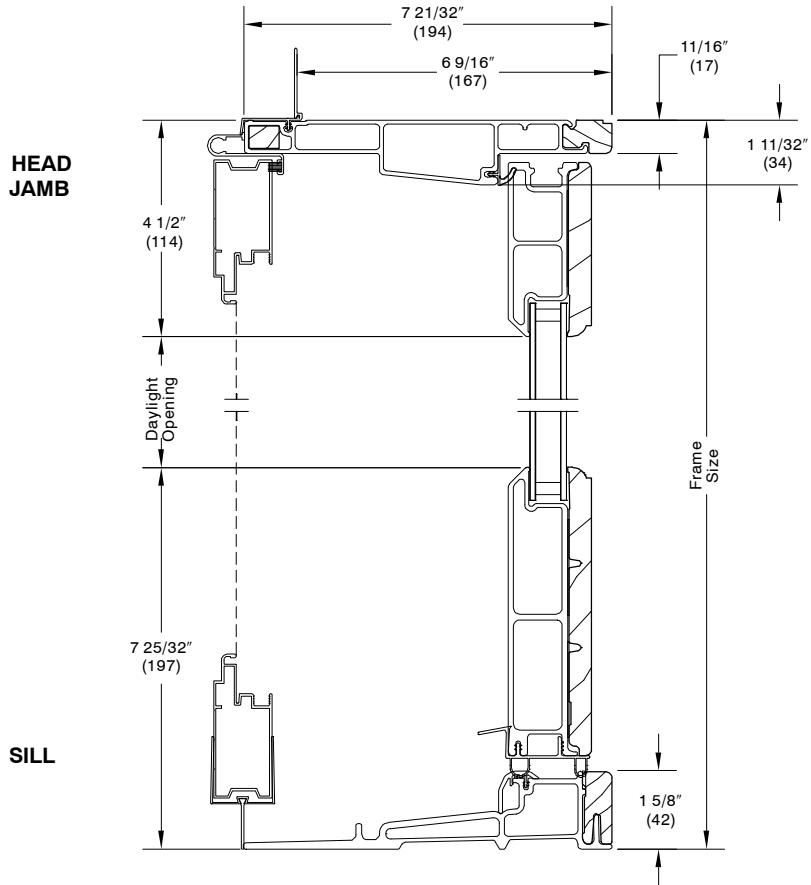
Scale 3" = 1'-0"



2 PANEL JAMB – XO

SECTION DETAILS – 6 9/16" JAMB – X – OPERATOR

Scale 3" = 1'-0"

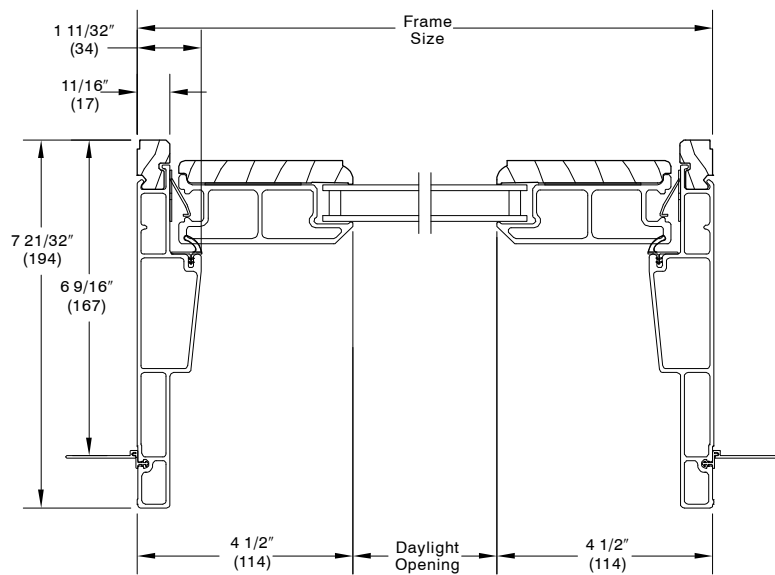
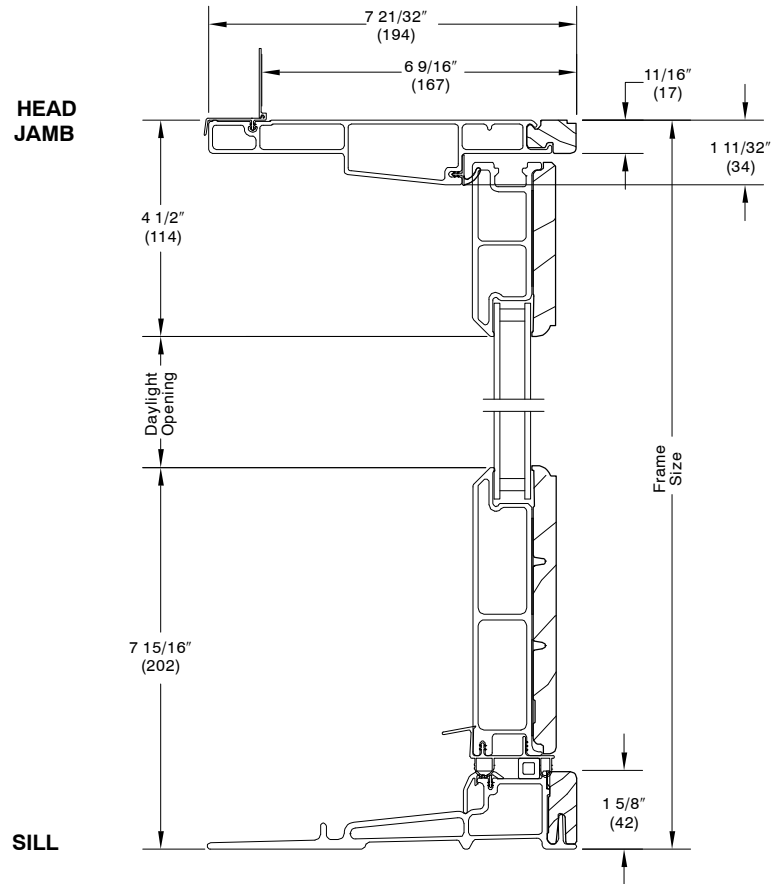


**SINGLE PANEL JAMB – X R**

**NOTE:** Swinging screen available on single panel operation X and 2 panel operation XX.

**SECTION DETAILS – 6 9/16" JAMB – STATIONARY**

Scale 3" = 1'-0"

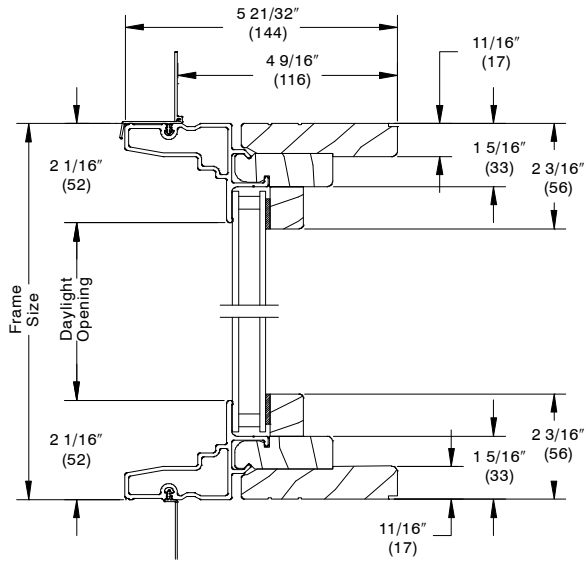


**SINGLE PANEL JAMB – O STATIONARY**

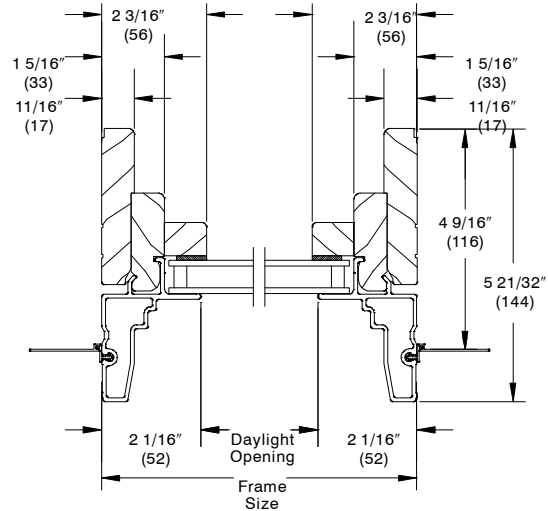
SECTION DETAILS – TRANSOM STAND ALONE – 4 9/16" AND 6 9/16" JAMB

Scale 3" = 1'-0"

**DIRECT GLAZE TRANSOM – 4 9/16" Jamb**

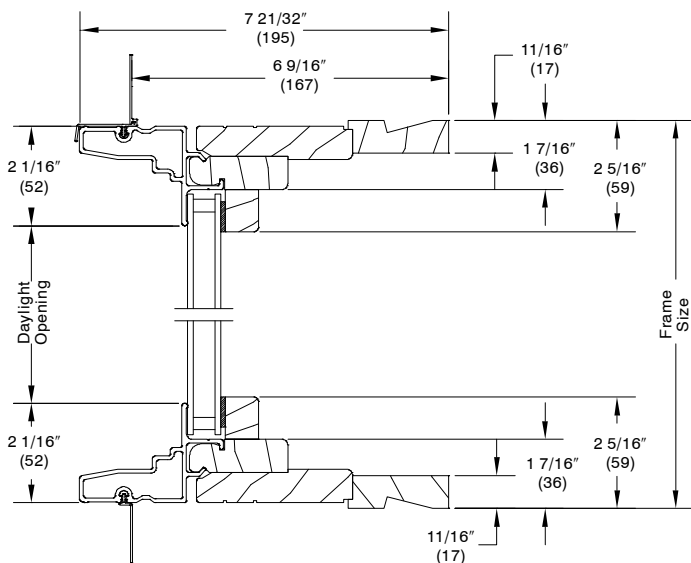


**Head Jamb and Sill**

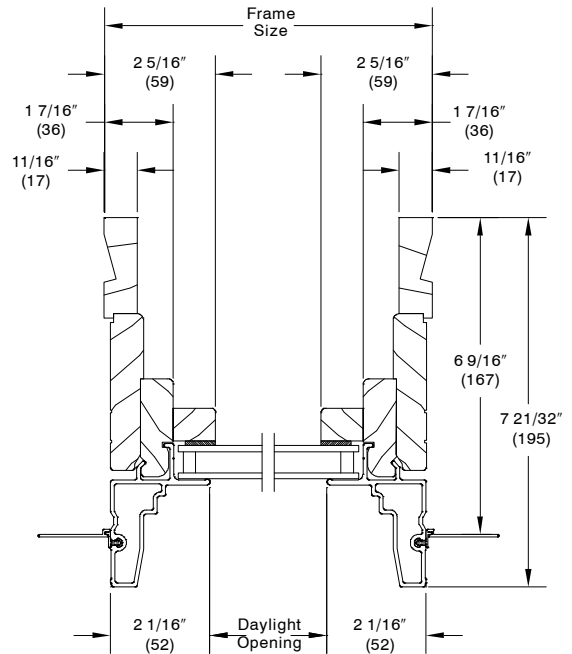


**Jamb**

**DIRECT GLAZE TRANSOM – 6 9/16" Jamb**



**Head Jamb and Sill**

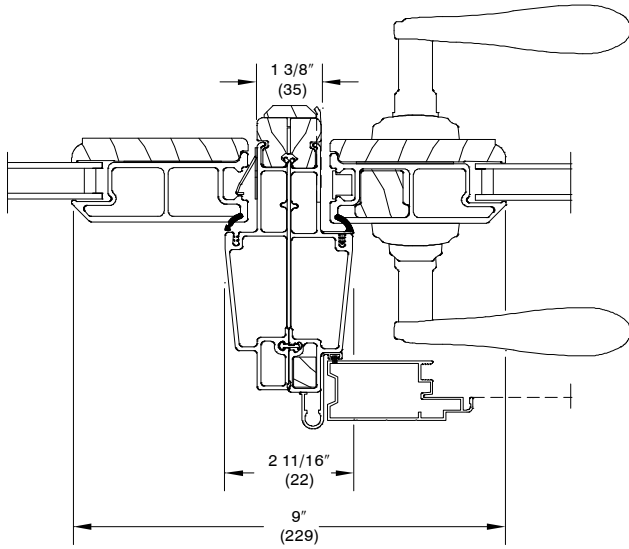


**Jamb**

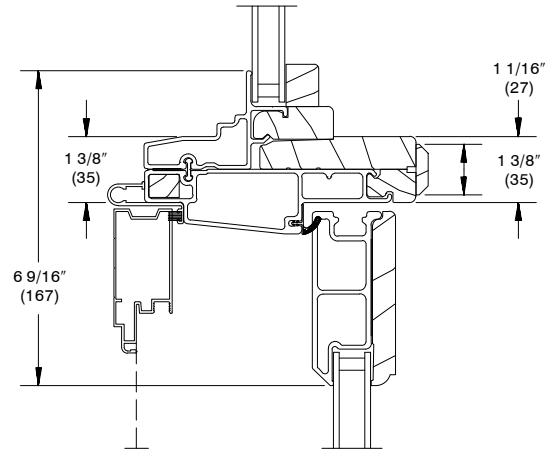
SECTION DETAILS – MULLIONS

Scale 3" = 1'-0"

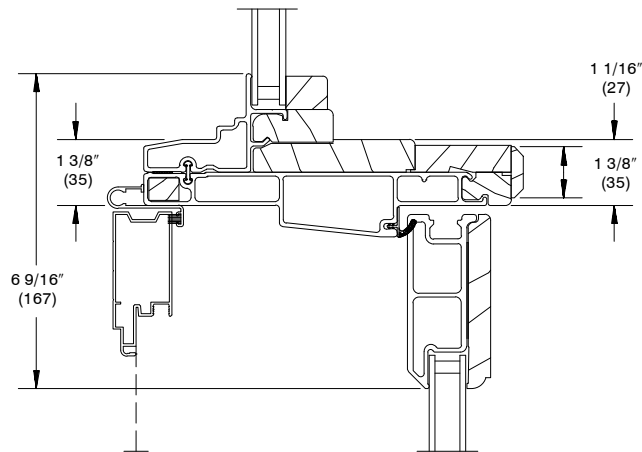
**MULLIONS**



**VERTICAL MULLION  
 O-X OPERATOR**



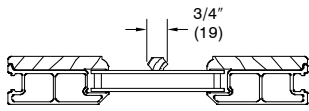
**DIRECT GLAZE TRANSOM  
 OVER INSWING FRENCH DOOR – 4 9/16" Jamb**



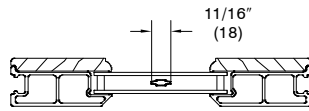
**DIRECT GLAZE TRANSOM  
 OVER INSWING FRENCH DOOR – 6 9/16" Jamb**

DIVIDED LITE OPTIONS

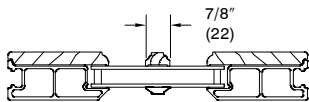
**DIVIDED LITE OPTIONS**



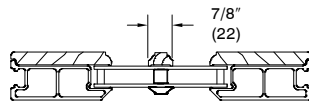
**WOOD REMOVABLE GRILLE**



**ALUMINUM GRILLE BETWEEN GLASS**



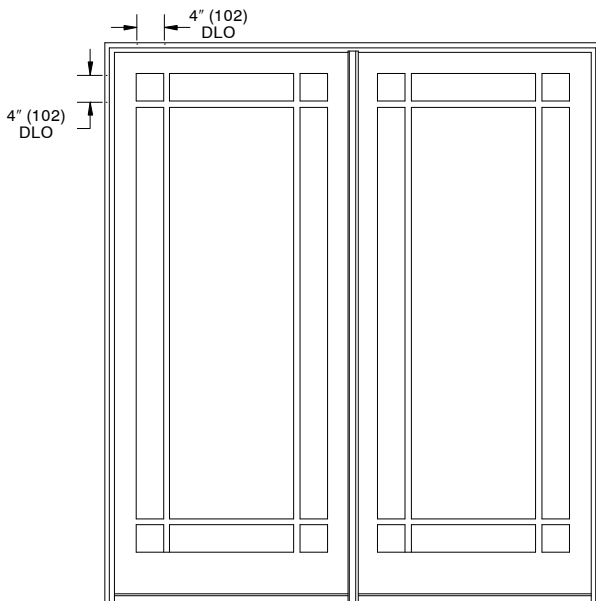
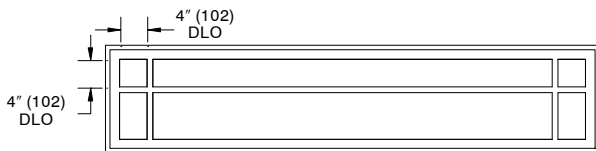
**SIMULATED DIVIDED LITE**



**SIMULATED DIVIDED LITE WITH SPACER BAR**

**GBG or SDL (SDL SHOWN)**

\* 6 lite prairie lite cuts on IIFDDG 7216 or IIFDDG 10716 due to height limitations. GBGs not available in IIFDDG 10716.



**NOTE:** \* Optional 9 lite per panel Prairie cut GBG or SDL.

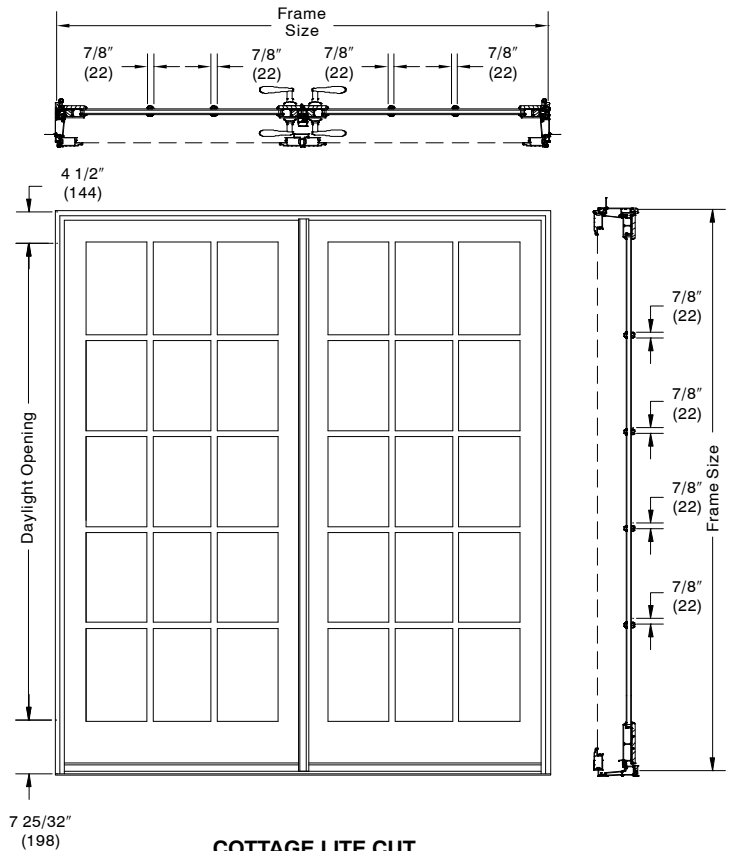
**Conversion Formula:**

$$\frac{\text{Total DLO} - \text{Total bar width}}{\text{Number of lites}} = \text{Individual DLO}$$

**NOTE:** GBGs are not available on Impact IZ3 units.

**NOTE:** SDL with Spacer Bar are not available on Impact IZ3 units

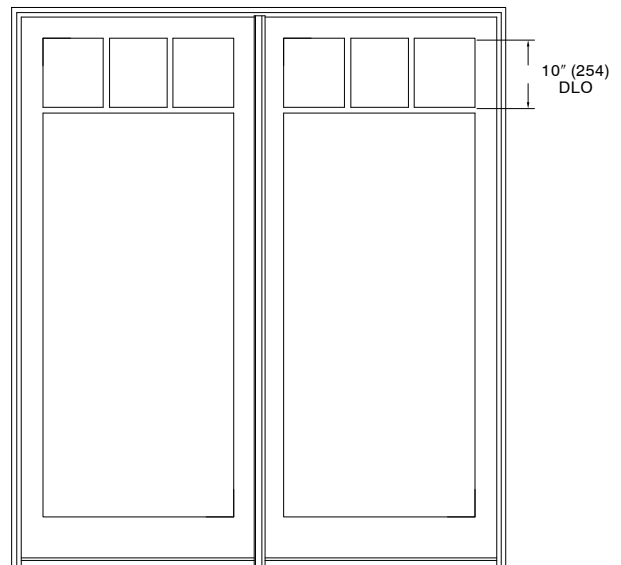
**RECTANGLE SDL EXAMPLE SHOWN**



**COTTAGE LITE CUT**

\* Horizontal bar is placed at 10 inch (254) daylight opening.

\* Only available in SDL.





## DIVIDED LITE OPTIONS

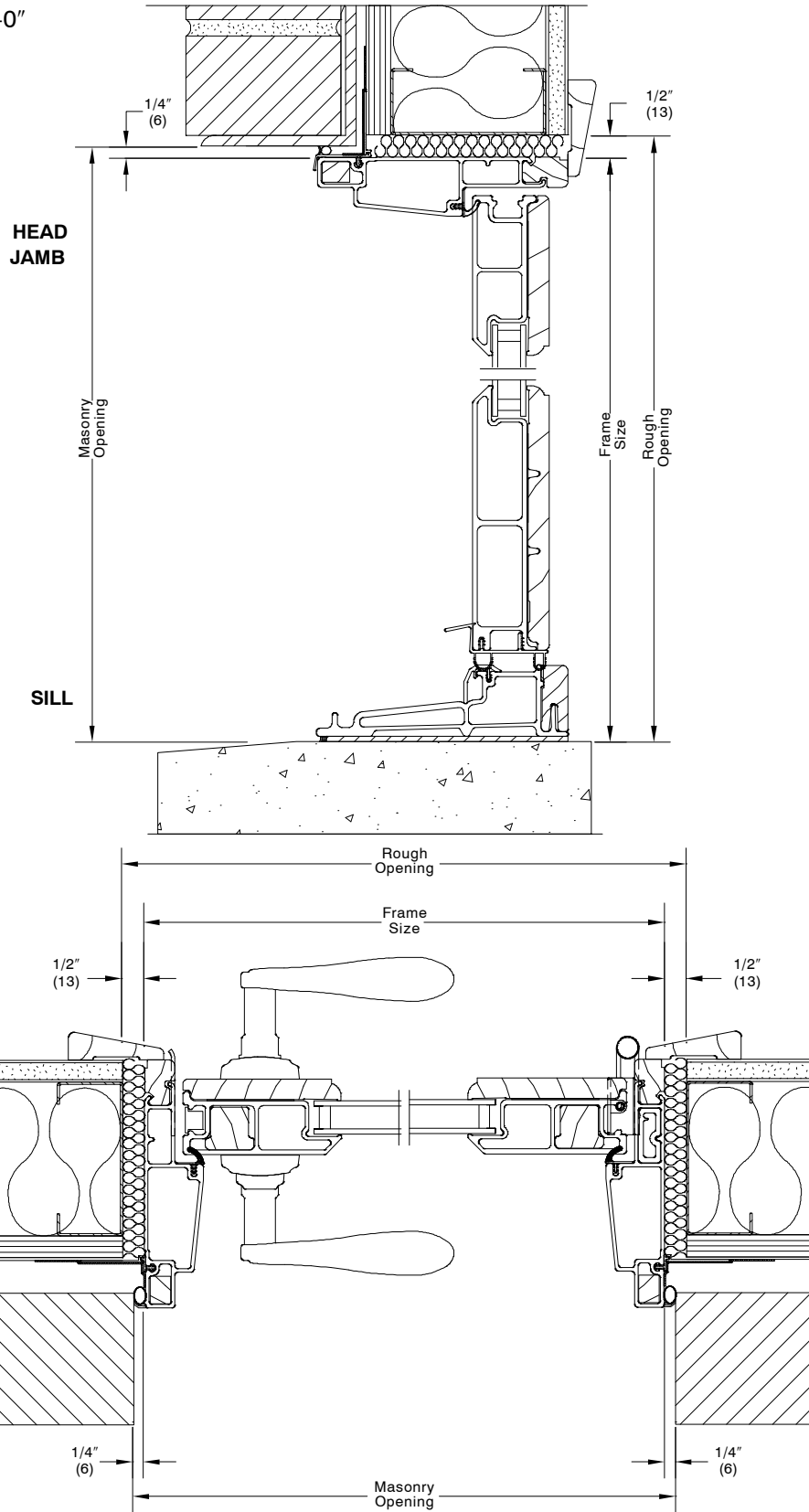
CN	Rectangular			Prairie			Cottage Lite Cuts
	Wood Grille	GBG or SDL		GBG	SDL	SDLS	
<b>1-Panel Inswing French Door per Panel</b>							
2665	3W5H	3W5H	2W5H	9-Lite	9-Lite	9-Lite	4-Lite
2865	3W5H	3W5H	2W5H	9-Lite	9-Lite	9-Lite	4-Lite
3065	3W5H	3W5H	2W5H	9-Lite	9-Lite	9-Lite	4-Lite
2668	3W5H	3W5H	2W5H	9-Lite	9-Lite	9-Lite	4-Lite
2868	3W5H	3W5H	2W5H	9-Lite	9-Lite	9-Lite	4-Lite
3068	3W5H	3W5H	2W5H	9-Lite	9-Lite	9-Lite	4-Lite
2670	3W5H	3W5H	2W5H	9-Lite	9-Lite	9-Lite	4-Lite
2870	3W5H	3W5H	2W5H	9-Lite	9-Lite	9-Lite	4-Lite
3070	3W5H	3W5H	2W5H	9-Lite	9-Lite	9-Lite	4-Lite
2680	3W6H	3W6H	2W6H	N/A	9-Lite	9-Lite	4-Lite
2880	3W6H	3W6H	2W6H	N/A	9-Lite	9-Lite	4-Lite
3080	3W6H	3W6H	2W6H	N/A	9-Lite	9-Lite	4-Lite
<b>2-Panel Inswing French Door per Panel</b>							
5065	3W5H	3W5H	2W5H	9-Lite	9-Lite	9-Lite	4-Lite
5465	3W5H	3W5H	2W5H	9-Lite	9-Lite	9-Lite	4-Lite
6065	3W5H	3W5H	2W5H	9-Lite	9-Lite	9-Lite	4-Lite
5068	3W5H	3W5H	2W5H	9-Lite	9-Lite	9-Lite	4-Lite
5468	3W5H	3W5H	2W5H	9-Lite	9-Lite	9-Lite	4-Lite
6068	3W5H	3W5H	2W5H	9-Lite	9-Lite	9-Lite	4-Lite
5070	3W5H	3W5H	2W5H	9-Lite	9-Lite	9-Lite	4-Lite
5470	3W5H	3W5H	2W5H	9-Lite	9-Lite	9-Lite	4-Lite
6070	3W5H	3W5H	2W5H	9-Lite	9-Lite	9-Lite	4-Lite
5080	3W6H	3W6H	2W6H	N/A	9-Lite	9-Lite	4-Lite
5480	3W6H	3W6H	2W6H	N/A	9-Lite	9-Lite	4-Lite
6080	3W6H	3W6H	2W6H	N/A	9-Lite	9-Lite	4-Lite
<b>Direct Glaze Transom per unit</b>							
3616	3W1H	3W1H	2W1H	6-Lite Top	6-Lite Top		
7216	6W1H	6W1H	4W1H	6-Lite Top	6-Lite Top		
10816	9W1H	9W1H	6W1H	N/A	N/A		

### Notes:

- Direct Glaze Transoms with GBGs or SDL will only align with the cut of the door it is intended to be mulled with and may not have equally spaced lites unless otherwise indicated. For alternative GBG or SDL lite alignment, order a Direct Glaze Rectangle with the divided lite option.
- An IIFDDG 3616 with GBGs or SDL will align over an IIFD CN30 width only.
- An IIFDDG 7216 with GBGs or SDL will align over an IIFD CN60 width only.
- An IIFDDG 10816 is available field-mulled or stand-alone only. Rectangular GBGs or SDL in a field-mulled IIFDDG 10816 will align over an IIFD CN30/60 or CN 60/30 width assembly only. Rectangular GBGs or SDL in a stand-alone IIFDDG 10816 will be equally spaced.
- GBG not available for Prairie Lit CN80 and greater.

## INSTALLATION SUGGESTION

Scale 3" = 1'-0"



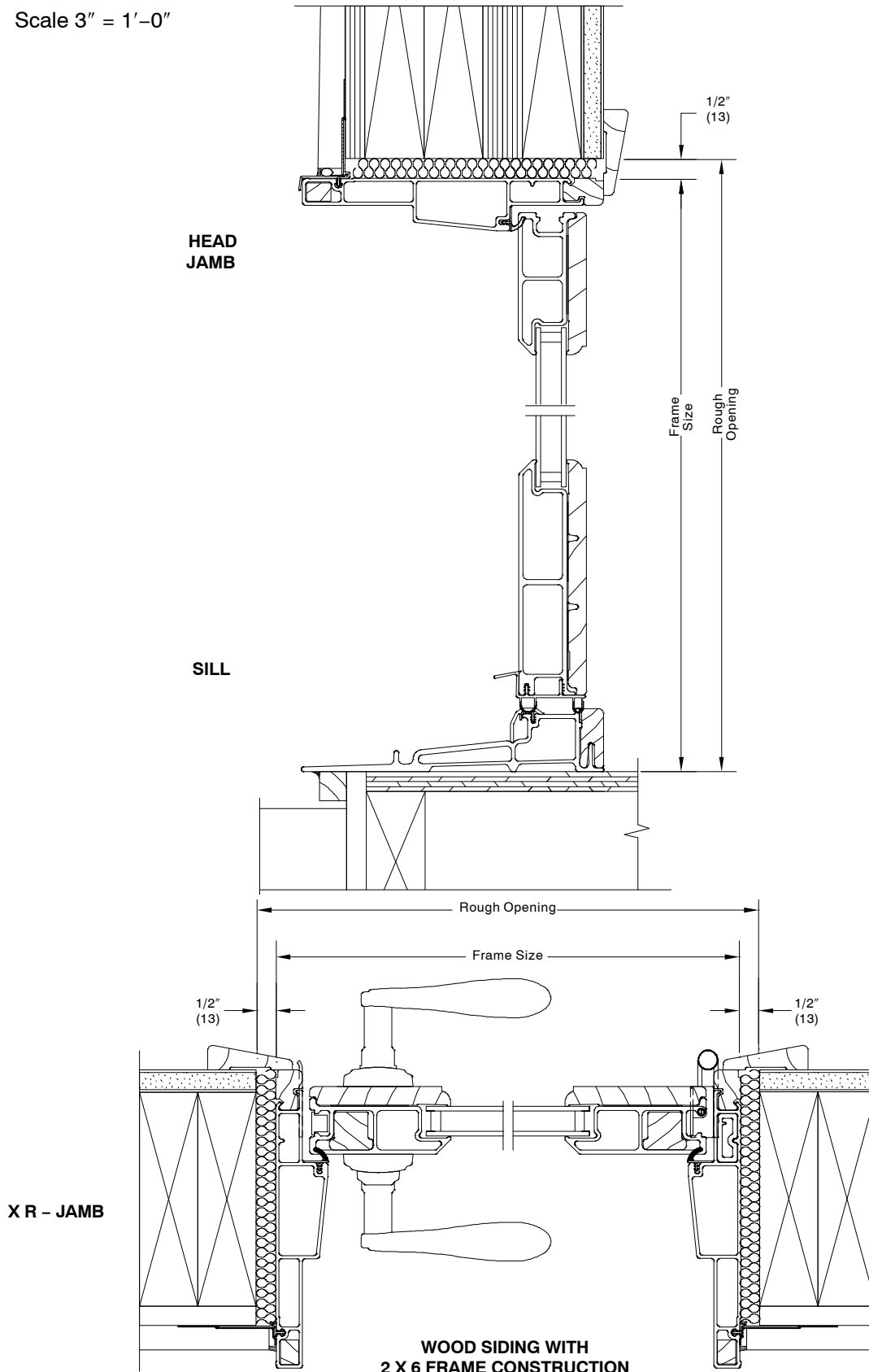
### BRICK VENEER WITH STEEL FRAME CONSTRUCTION

**NOTE:**

The above wall sections represent typical wall conditions, these details are not intended as installation instructions. Please refer to the installation instructions provided with the purchased units.

**INSTALLATION SUGGESTION**

Scale 3" = 1'-0"

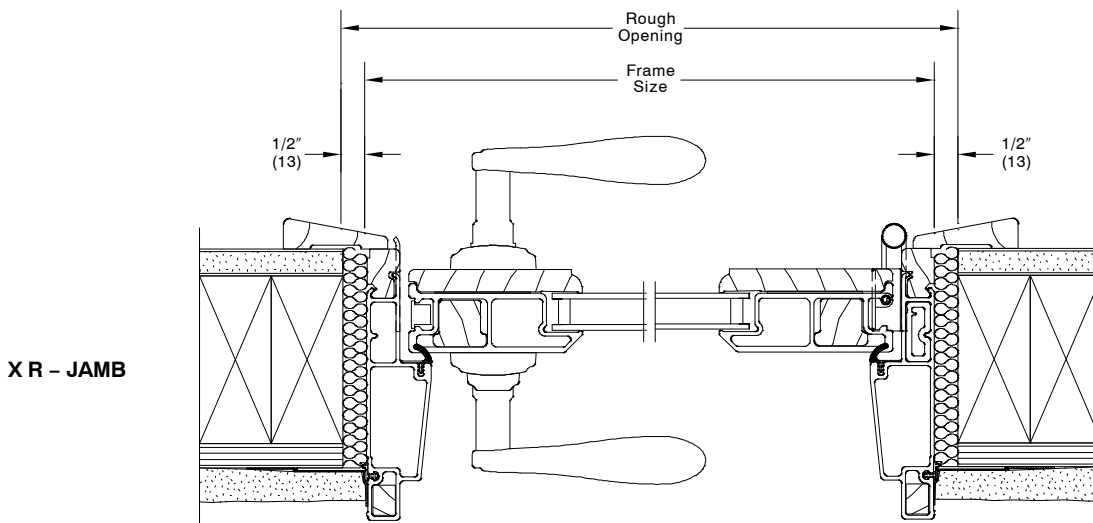
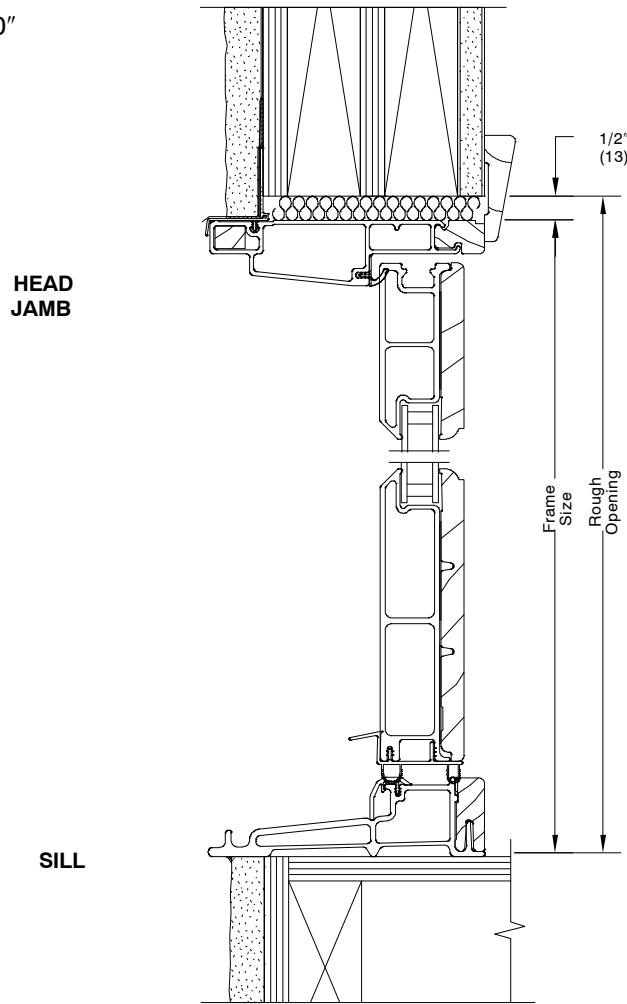


**NOTE:**

The above wall sections represent typical wall conditions, these details are not intended as installation instructions. Please refer to the installation instructions provided with the purchased units.

INSTALLATION SUGGESTION

Scale 3" = 1'-0"



STUCCO WITH 2X4 FRAME CONSTRUCTION

**NOTE:**

The above wall sections represent typical wall conditions, these details are not intended as installation instructions. Please refer to the installation instructions provided with the purchased units.