

CHAPTER 9A

INTEGRITY WOOD-ULTREX OUTSWING FRENCH DOOR

Unit Features	9A.2
Minimum and Maximum Guidelines and Certified Sizes	9A.3
Egress Measurements	9A.4
Conversions	9A.5
Mulling Guidelines	9A.6
Standard Size Chart	9A.7
Elevations 6/5 Height	9A.8
Elevations 6/8 Height	9A.9
Elevations 7/0 Height	9A.10
Elevations 8/0 Height	9A.11
Elevations Transom	9A.12
Section Details – 4 9/16" XXR Operator – Standard Glass	9A.13
Section Details – 4 9/16" XXR Operator – Impact Glass	9A.14
Section Details – 4 9/16" X Operator	9A.15
Section Details – 4 9/16" Stationary	9A.16
Section Details – 6 9/16" XXR Operator – Standard Glass	9A.17
Section Details – 6 9/16" XXR Operator – Impact Glass	9A.18
Section Details – 6 9/16" X Operator	9A.19
Section Details – 6 9/16" Stationary	9A.20
Section Details – Transom Stand Alone	9A.21
Section Details – Transom Stand Alone – Impact	9A.22
Impact Mulling Guidelines	9A.23
Section Details – Mullions	9A.24
Divided Lite Options	9A.25
Available Divided Lite Patterns	9A.26
Installation Suggestions	9A.27

ATTENTION:

- Specifications and technical data are subject to change without notice.
- Number in parentheses () following measurements are the metric equivalents in millimeters rounded to the nearest whole number
- Allow 1/16" (2) tolerance on all measurements.
- Interior mullion trim are shipped loose for field installation.
- For answers to technical questions about Integrity products you may call our Integrity Support Line: 1-800-587-2712.
- Website: www.integritywindows.com

UNIT FEATURES

FRAME AND PANEL:

The frame and panel exteriors are made of Ultrex[®], an advanced fiber reinforced material that is resistant to thermal conductance. Ultrex patented coating system meets all the requirements of AAMA 624-10. Exterior colors: Stone White, Pebble Gray, Bronze, Evergreen, Cashmere, or Ebony. The interior is clear pine, kiln dried to a moisture content of 6–12% at time of fabrication. Water-repellant, preservative treated in accordance with WDMA I.S.4. Interior wood is available as Pine bare wood or factory-applied white interior finish.

FRAME:

Composite frame thickness is 1 11/32" (34). Frame width of 4 9/16" (116). The sill is Ultrex beige in color, with oak interior sill liner. 4/4 clear pine interior stop is applied to all units. Ultrex is .080" (2) thick.

PANEL:

Composite sash thickness of 1 3/4" (44), stiles and top rail width, 3 5/8" (92), bottom rail width 6" (152) Ultrex is .110" (3) thick.

JAMB EXTENSION:

6 9/16" (167) or 6 13/16" (173) jamb extension available factory applied or shipped loose for field application. Assemblies with 6 9/16" and 6 13/16" jamb extensions add 1/4" to width and 1/8" to height of Rough Opening.

HARDWARE:

Multi-point lock, latch, and deadbolt assembly included with each door. Handle has a standard deadbolt and a top and bottom shoot bolts operated by handle set. Handle set interior and exterior selected separately. Standard finish is Almond Frost. Optional White, Bright Brass PVD, Oil Rubbed Bronze PVD, and Satin Nickel PVD. Standard locking strike plate will be stainless steel, with an optional brass strike on "X" doors. Hinges contain both a horizontal, vertical adjustment feature, and non-removable pin. Three hinges are used on units with a frame size less than or equal to 82" (2083). Four hinges are used per unit with frame height greater than 82" (2083). Hinges will be White, Dark Brown, Evergreen, Pebble or Cashmere to match the exterior of the frame. Coastal brass or coastal satin nickel hinges with brass substrates. Keyed alike option is available.

INSTALLATION:

Factory applied folding nailing fin and drip cap system. Optional installation brackets for masonry available. Factory supplied field mulling kits are available for standard assemblies. Impact glazed units require installation clips.

GLAZING:

All units are manufactured with a 3/4" (19) Tempered Insulating Glass with LoE²-272[®], LoE³-366[®] and LoE-180[™] coatings including argon gas fill. All glass is of a select quality complying with ASTM C 1036. Insulating glass is manufactured and tested to pass level ASTM E 2190 and is IGCC certified. The glazing seal is a silicone bedding on both interior and exterior surfaces utilized in a sandwich style sash. STC/OITC values are available for 3.1/3.1 standard glass. Optional 3.1/4.7 STC/OITC Upgrade glass is available. STC and OITC ratings are tested in accordance with ASTM E 90-09. See the Product Performance chapter for values.

IMPACT GLAZING:

Optional Impact Zone 3 available on selected sizes. Zone 3 for winds up to 140 miles per hour. Glass is laminated insulated LoE²-272[®] or LoE³-366[®] with Argon, consisting of annealed or tempered glass exterior and laminated glass interior. The laminated glass is comprised of two pieces of glass with either a SGP or PVB laminate layer between. Interior and exterior glazing compound is silicone, in a sandwich style glazing system.

WEATHER STRIP:

Beige colored PVC standard. All units are constructed with two weather strip at all jamb/panel perimeter joints. The primary weather strip is attached to the head/jamb interior wood stops, and the secondary weather strip is attached to the panels. Jambs, head jamb, sill and interior astragal utilize an extruded PVC hollow bulb weather strip. The exterior aluminum astragal uses a foam filled leaf weather strip. Weather strip exposed to the exterior is of UV (ultraviolet) resistant material.

REMOVABLE INTERIOR GRILLES:

Bar: Pine wood, 3/4" (19) Pattern: Standard rectangular pattern. Available in Pine bare wood or factory applied white finish.

INTERIOR / EXTERIOR SIMULATED DIVIDED LITES (SDL):

Interior bar: 7/8" (22) wide bars. Pine bare wood or factory applied white finish, to match interior. Exterior bar: Ultrex, 7/8" (22) wide bars, finish to match exterior. Pattern: Standard rectangular pattern, optional equal rectangular lites 2W5H on 6/5 and 6/8 heights only optional equal rectangular lites 2W6H on 8/0 height only, and 9 lite per panel prairie cut, 6 lite prairie cut on transom or Cottage style cut.

GRILLES-BETWEEN-THE-GLASS (GBG):

11/16" (17) white contoured aluminum bar placed between two panes of glass. Pattern: Standard rectangular pattern, 9 lite per panel prairie cut. or 6 lite prairie cut on transom. Exterior color determined by panel color. Interior Colors: White or Bronze. GBGs are not available with Impact glazed doors.

EXTERIOR CASING:

Non-integral to the unit. Fastened to the exterior wall with barb and kerf 2" (51) brick mould available as a header and jamb surround. 3 1/2" (89) flat casing available as a header and jamb surround. Also available with 1" (25) ranch style header overhang.

MINIMUM AND MAXIMUM GUIDELINES AND CERTIFIED SIZES

Operator/Stationary Units								
Unit Type	Frame Size							
	Min Width		Min Height		Max Width		Max Height	
	in	mm	in	mm	in	mm	in	mm
1 – Panel Operator	30 5/16	(770)	79 1/2	(2019)	36 5/16	(922)	95 1/2	(2426)
2 – Panel Operator	59	(1499)	79 1/2	(2019)	71	(1803)	95 1/2	(2426)
Door Transom	36 5/16	(922)	15 3/4	(400)	71	(1803)	15 3/4	(400)

NOTE: Special sizes are available in 1/64" increments, not to exceed the minimum or maximum listed above.

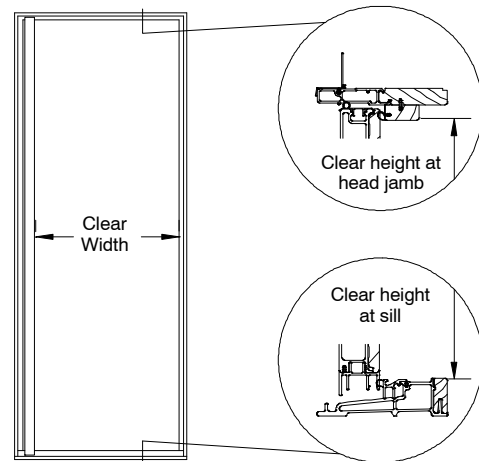
Product	Air Tested to psf	Water Tested to psf	Design Pressure (DP)	Certification Rating	Max Overall Width		Max Overall Height	
					in	mm	in	mm
Integrity Outswing French Door (O)	1.57	7.50	50	LC-PG50-FD	36.319	(923)	95.5	(2426)
Integrity Outswing French Door (X)	1.57	7.50	50	LC-PG50-SHD	36.319	(923)	95.5	(2426)
Integrity Outswing French Door (XX)	1.57	7.50	50	LC-PG50-SHD	71	(1803)	95.5	(2426)

Product	Air Tested to psf	Water Tested to psf	Design Pressure (DP)	Certification Rating	Max Overall Width		Max Overall Height	
					in	mm	in	mm
Integrity Outswing Impact French Door (O)	1.57	8.25	+55/-65	LC-PG55-FD	36.319	(923)	95.5	(2426)
Integrity Outswing Impact French Door (X)	1.57	8.25	+55/-65	LC-PG55-SHD	36.319	(923)	95.5	(2426)
Integrity Outswing Impact French Door (XX)	1.57	8.25	55	LC-PG55-SHD	71	(1803)	95.5	(2426)

EGRESS MEASUREMENTS

Net Clear Opening Wood Ultrex Out-Swing French Door			
Width			
Unit Type	Call Number	Net Clear Openings	
		ft-in	mm
1 Panel Operator (X)	2-6	2-1 19/32	(650)
	2-8	2-3 19/32	(701)
	3-0	2-7 19/32	(802)
2 Panel Operator (XX)	5-0	4-4 7/32	(1326)
	5-4	4-8 7/32	(1428)
	6-0	5-4 7/32	(1631)
Height			
Unit Type	Call Number	Net Clear Openings	
		ft - in	mm
1 Panel (X) and 2 Panel (XX) Configurations	6-5	6-4 9/16	(1944)
	6-8	6-7 1/16	(2008)
	7-0	6-11 1/16	(2109)
	8-0	7-8 9/16	(2351)

EGRESS MEASUREMENTS



SWINGING DOOR UNIT

NOT TO SCALE

Code restrictions may vary depending on your local building codes. For additional information contact your local code department for IBC and IRC requirements.

Egress Conversions		
Standard Outswing French Door		
Minimum Value for Net Clear Opening	Desired Dimension	Formula
32"	Egress opening width, in	1 Panel Door
		= IOFD Frame Width - 4.738
		2 Panel Door (XX)
		= IOFD Frame Width - 6.788
78" (IRC 2012) 80" (IBC 2012)	Egress opening height, in	= IOFD Frame Height - 2.952

CONVERSIONS

Unit Measurements – Stationary and Operating Panels		Width 1W		Width 2W			Height	
From	To							
Frame		in	mm		in	mm	in	mm
Masonry Opening	Rough Opening	+ 1/2	(13)		+ 1/2	(13)	+ 1/4	(6)
Masonry Opening w/BMC	Rough Opening	+ 1/2	(13)		+ 1/2	(13)	+ 1/4	(6)
OM of Frame	Rough Opening	+ 1	(25)		+ 1	(25)	+ 1/2	(13)
Daylight Opening	Rough Opening	+ 9 31/32	(253)	× 2	+ 17 5/16	(440)	+ 12 29/32	(328)
Panel		in	mm		in	mm	in	mm
OM of Frame	OM of Panel	-1 23/32	(44)	+ 2	-29/32	(23)	-2 25/32	(71)
Daylight Opening	OM of Panel	+ 7 1/4	(184)		+ 7 1/4	(184)	+ 9 5/8	(244)
Glass		in	mm		in	mm	in	mm
Daylight Opening	Glass	+ 1 1/4	(32)		+ 1 1/4	(32)	+ 1 3/16	(30)

For Three Panel conversions, RO to Glass and Panels, please contact the Integrity Support Line (1-800-587-2712).

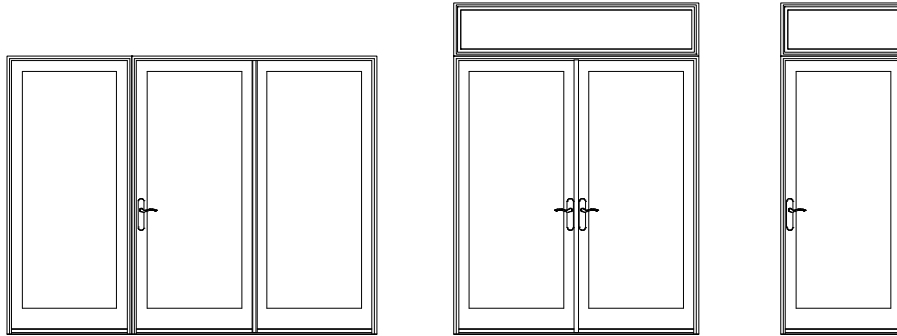
Unit Measurements – Transoms		Width 1W		Height	
From	To				
Frame		in	mm	in	mm
Masonry Opening	Rough Opening	+ 1/2	(13)	+ 1/4	(6)
Masonry Opening w/BMC	Rough Opening	+ 1/2	(13)	+ 1/4	(6)
OM of Frame	Rough Opening	+ 1	(25)	+ 1/2	(13)
Daylight Opening	Rough Opening	+ 5 3/8	(137)	+ 4 7/8	(124)
Frame		in	mm	in	mm
Daylight Opening	Frame	+ 4 3/8	(111)	+ 4 3/8	(111)
Glass		in	mm	in	mm
Daylight Opening	Glass	+ 1 9/16	(40)	+ 1 9/16	(40)

MULLING GUIDELINES

Multiple assemblies can be factory mulled

- Assemblies up to 3 units wide by 1 unit high
 - **MAXIMUM ROUGH OPENING** not to exceed 109 15/16" (2792) X 96" (2438)
- Assemblies up to 2 units wide by 2 units high
 - **MAXIMUM ROUGH OPENING** not to exceed 73 5/8" (1870) X 100 1/2" (2552)

NOTE: FIELD MULLING BEYOND 110" x 112" IS NOT RECOMMENDED



ROUGH OPENING TABLE FOR ASSEMBLIES

WIDTH: Single unit Rough Opening width MINUS 1" = Frame width.
 ADD **all** frame widths PLUS 1" = Total Rough Opening Width.

HEIGHT: Single unit Rough Opening height MINUS 1/2" = Frame height.
 ADD **all** frame heights PLUS 1/2" = Total Rough Opening Height.

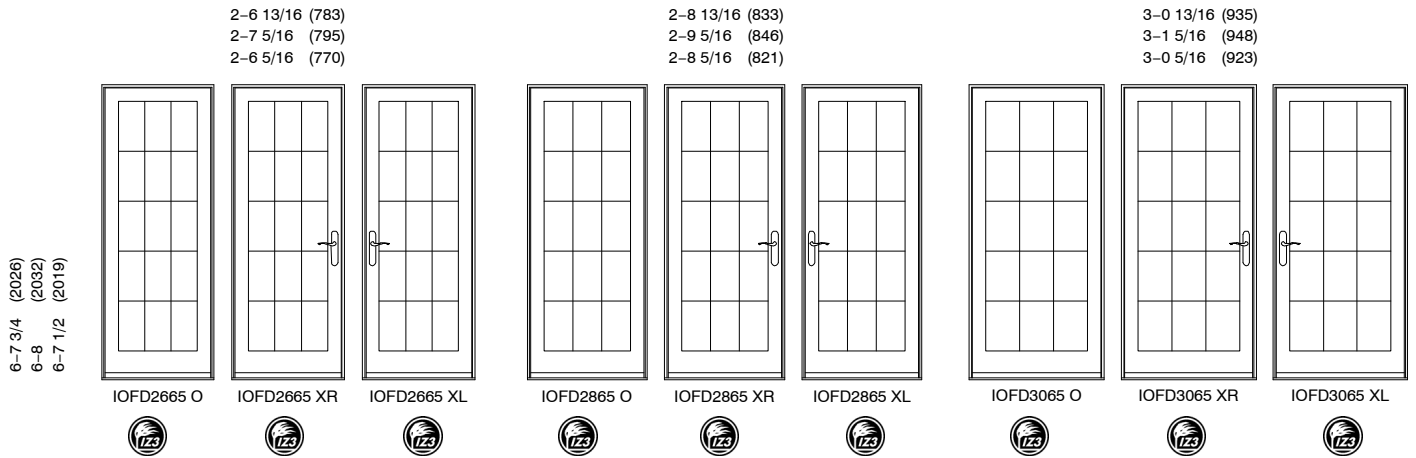
NOTE: Assemblies with 6 13/16" jamb extensions
 add 1/4" to width and 1/8" to height of Rough Opening.

STANDARD SIZE CHART

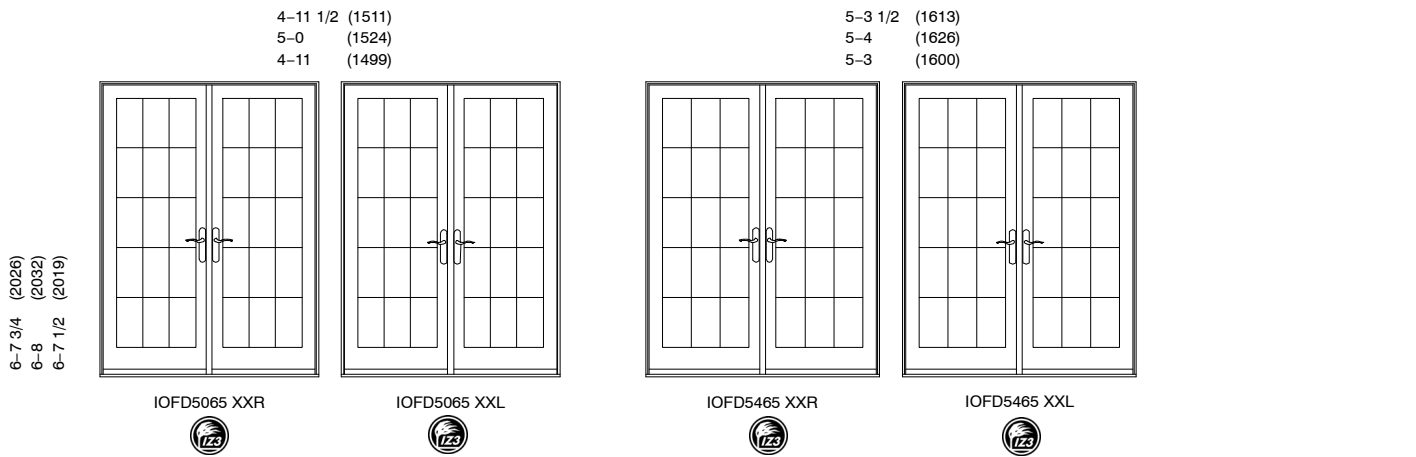
Standard Outswing Unit Measurements															
Width															
Unit Type	Call Number	Masonry Opening		Rough Opening		Frame Size		Panel OM		Daylight Opening		Standard Glass Size		Impact Glass Size	
		ft - in	mm	ft - in	mm	ft - in	mm	ft-in	mm	ft - in	mm	in	mm	in	mm
1 Panel	2-6	2-6 13/16	(783)	2-7 5/16	(796)	2-6 5/16	(770)	2-4 19/32	(726)	1-9 11/32	(542)	22 19/32	(574)	22 15/32	(571)
	2-8	2-8 13/16	(834)	2-9 5/16	(846)	2-8 5/16	(821)	2-6 19/32	(777)	1-11 11/32	(593)	24 19/32	(625)	24 15/32	(622)
	3-0	3-0 13/16	(935)	3-1 5/16	(948)	3-0 5/16	(923)	2-10 19/32	(879)	2-3 11/32	(695)	28 19/32	(726)	28 15/32	(723)
2 Panel	5-0	4-11 1/2	(1511)	5-0	(1524)	4-11	(1499)	2-4 19/32	(726)	1-9 11/32	(542)	22 19/32	(574)	22 15/32	(571)
	5-4	5-3 1/2	(1613)	5-4	(1626)	5-3	(1600)	2-6 19/32	(777)	1-11 11/32	(593)	24 19/32	(625)	24 15/32	(622)
	6-0	5-11 1/2	(1816)	6-0	(1829)	5-11	(1803)	2-10 19/32	(879)	2-3 11/32	(695)	28 19/32	(726)	28 15/32	(723)
Height															
Unit Type	Call Number	Masonry Opening		Rough Opening		Frame Size		Panel OM		Daylight Opening		Standard Glass Size		Impact Glass Size	
		ft - in	mm	ft - in	mm	ft - in	mm	ft-in	mm	ft - in	mm	in	mm	in	mm
All Configurations	6-5	6-7 3/4	(2026)	6-8	(2032)	6-7 1/2	(2019)	6-4 23/32	(1949)	5-7 3/32	(1704)	68 9/32	(1734)	68 5/32	(1731)
	6-8	6-10 1/4	(2089)	6-10 1/2	(2096)	6-10	(2083)	6-7 7/32	(2012)	5-9 19/32	(1768)	70 25/32	(1798)	70 21/32	(1795)
	7-0	7-2 1/4	(2191)	7-2 1/2	(2197)	7-2	(2184)	6-11 7/32	(2114)	6-1 19/32	(1869)	74 25/32	(1900)	74 21/32	(1897)
	8-0	7-11 3/4	(2432)	8-0	(2438)	7-11 1/2	(2426)	7-8 23/32	(2355)	6-11 3/32	(2111)	84 9/32	(2141)	84 5/32	(2138)

Standard Direct Glaze Door Transom Unit Measurements											
Width											
Unit Type	Call Number	Masonry Opening		Rough Opening		Frame Size		Daylight Opening		Glass Size	
		ft - in	mm	ft - in	mm	ft - in	mm	ft - in	mm	ft-in	mm
Direct Glaze	3-6	3-0 13/16	(935)	3-1 5/16	(948)	3-0 5/16	(922)	2-7 15/16	(811)	33 1/2	(851)
	7-2	5-11 1/2	(1816)	6-0	(1829)	5-11	(1803)	5-6 5/8	(1692)	68 3/16	(1732)
	10-8	8-11 13/16	(2738)	9-0 5/16	(2751)	8-11 5/16	(2726)	8-6 15/16	(2615)	104 1/2	(2654)
Height											
Unit Type	Call Number	Masonry Opening		Rough Opening		Frame Size		Daylight Opening		Glass Size	
		ft - in	mm	ft - in	mm	ft - in	mm	ft - in	mm	ft - in	mm
All Configurations	1-6	1-4	(406)	1-4 1/4	(413)	1-3 3/4	(400)	0-11 3/8	(289)	12 15/16	(329)

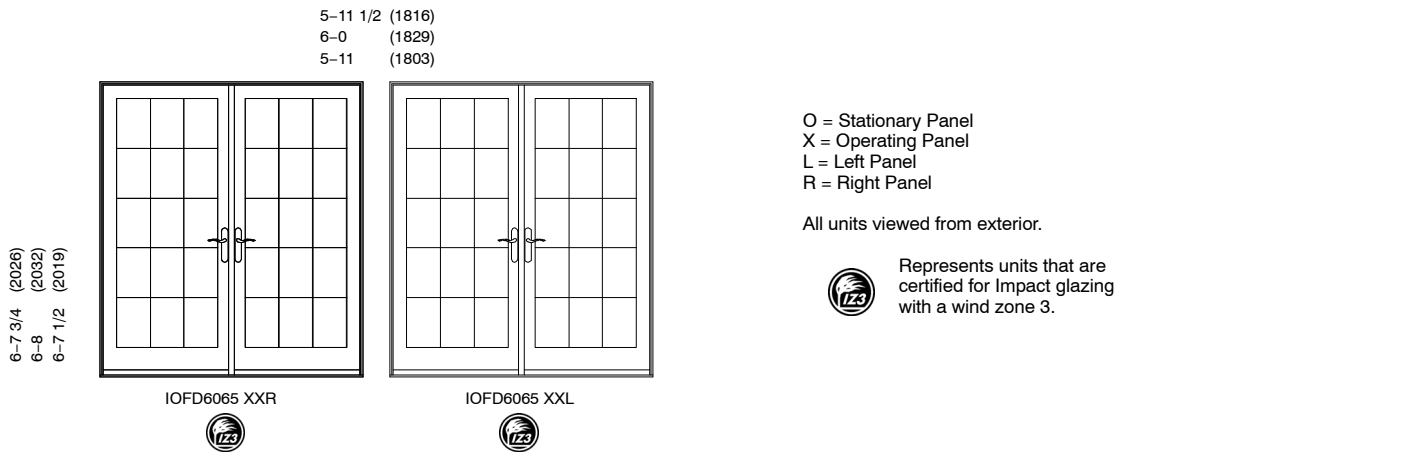
ELEVATIONS 1 AND 2 PANEL DOORS 6/5 HT



6-7 3/4 (2026)
 6-8 (2032)
 6-7 1/2 (2019)



6-7 3/4 (2026)
 6-8 (2032)
 6-7 1/2 (2019)



6-7 3/4 (2026)
 6-8 (2032)
 6-7 1/2 (2019)

O = Stationary Panel
 X = Operating Panel
 L = Left Panel
 R = Right Panel

All units viewed from exterior.



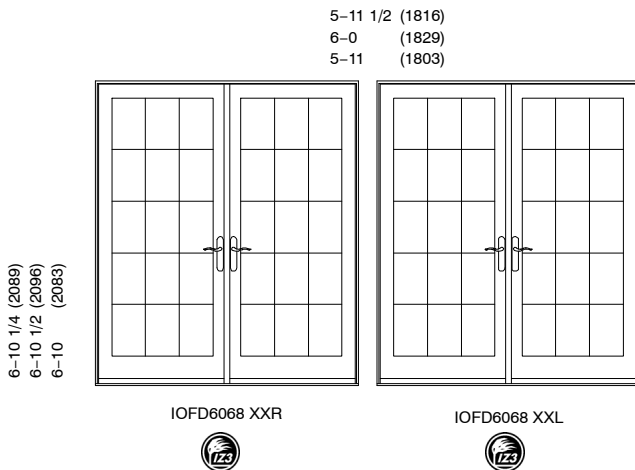
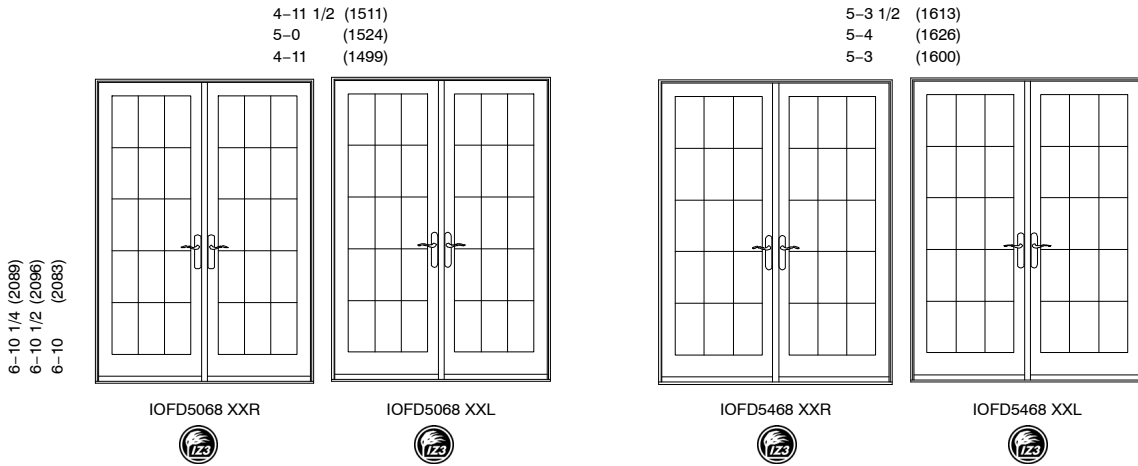
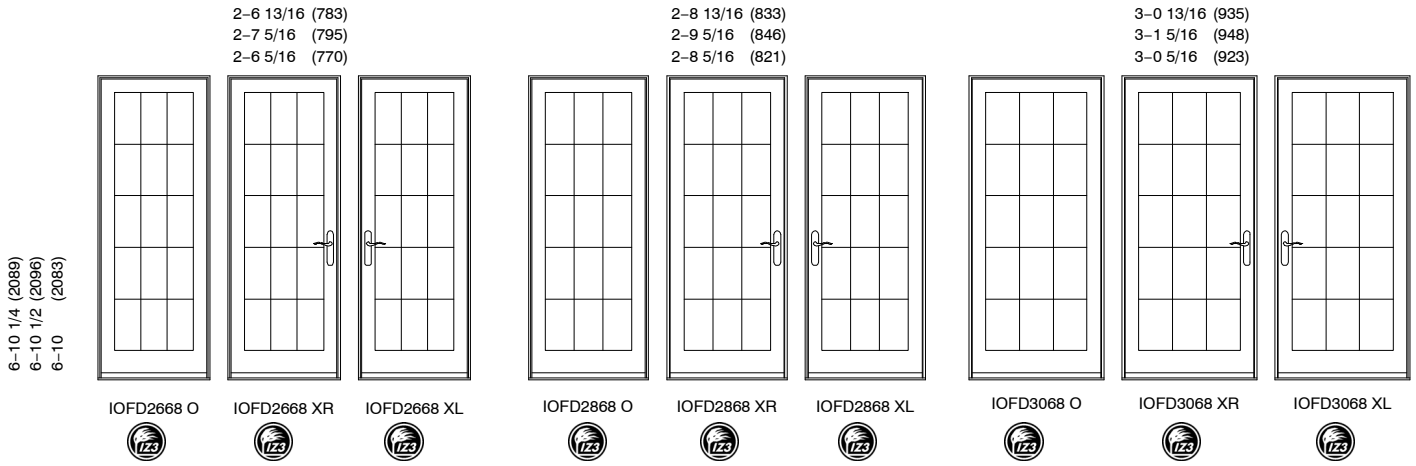
Represents units that are certified for Impact glazing with a wind zone 3.

Mas. Opg.
 Rhg. Opg.
 Frame Size

Integrity **OUTSWING FRENCH DOOR**

from **MARVIN**
Windows and Doors

ELEVATIONS 1 AND 2 PANEL DOORS 6/8 HT Not To Scale



O = Stationary Panel
 X = Operating Panel
 L = Left Panel
 R = Right Panel

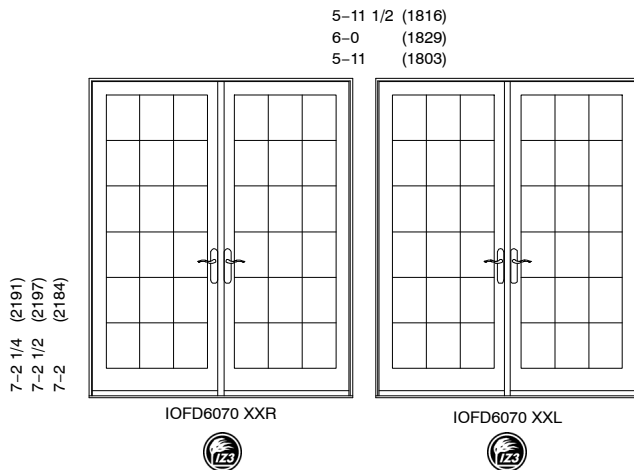
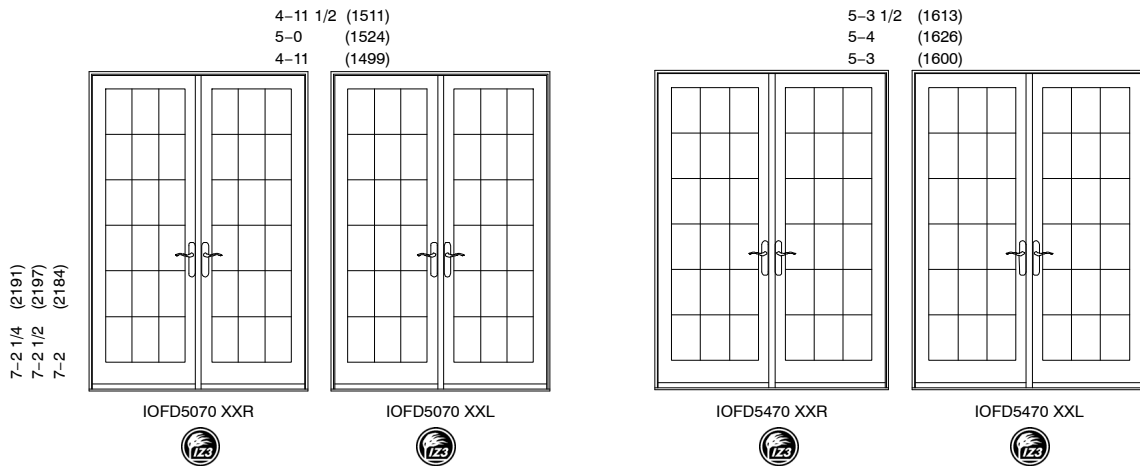
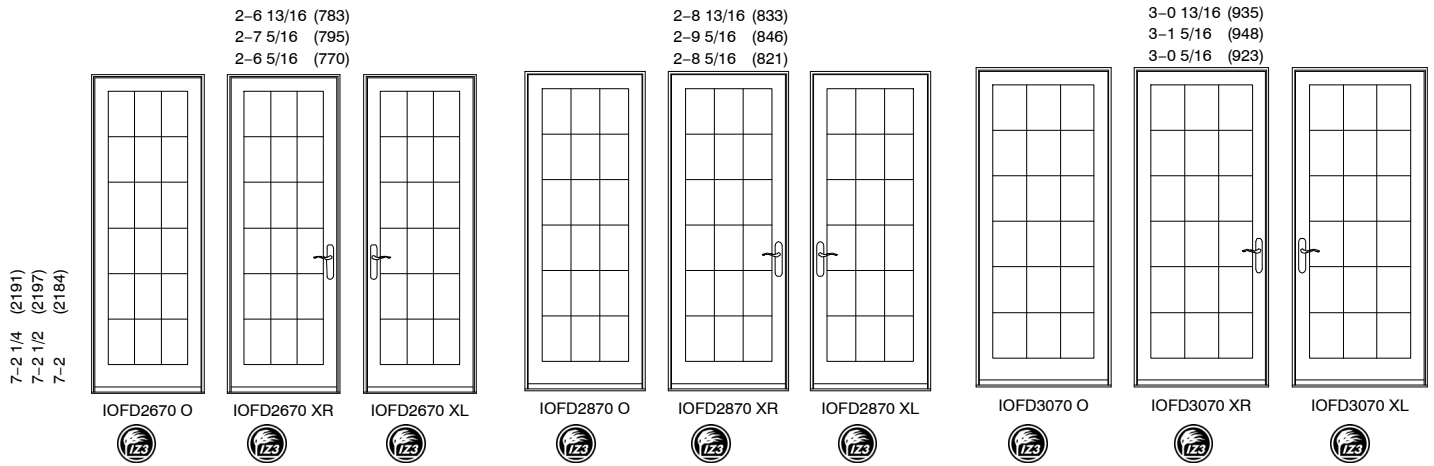


Represents units that are certified for Impact glazing with a wind zone 3.

All units viewed from exterior.

Max. Opg.
 Rng. Opg.
 Frame Size

ELEVATIONS 1 AND 2 PANEL DOORS 7/0 HT



O = Stationary Panel
 X = Operating Panel
 L = Left Panel
 R = Right Panel

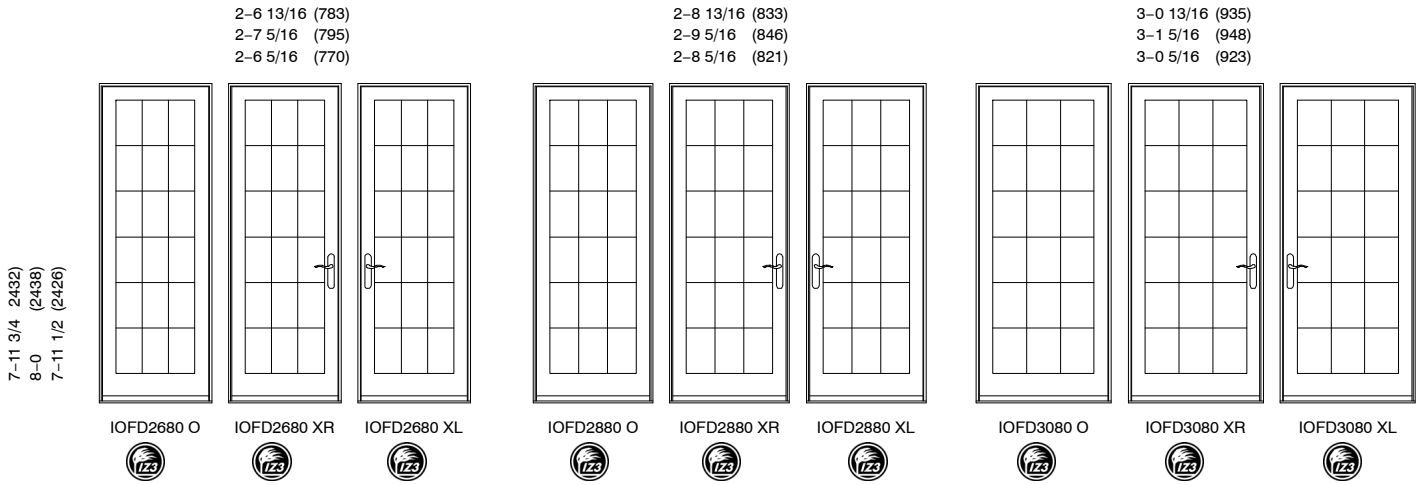


Represents units that are certified for Impact glazing with a wind zone 3.

All units viewed from exterior.

Max. Opg.
 Rtg. Opg.
 Frame Size

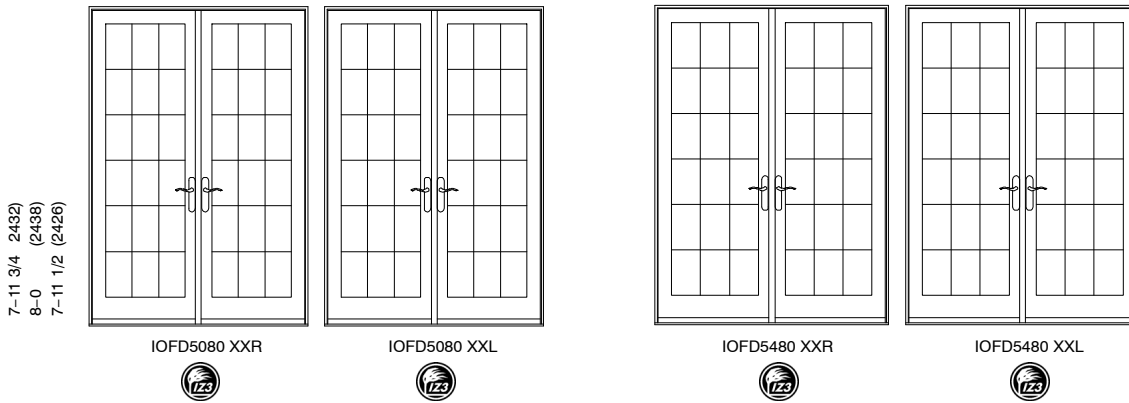
ELEVATIONS 1 AND 2 PANEL DOORS 8/0 HT



7-11 3/4 (2432)
 8-0 (2438)
 7-11 1/2 (2426)

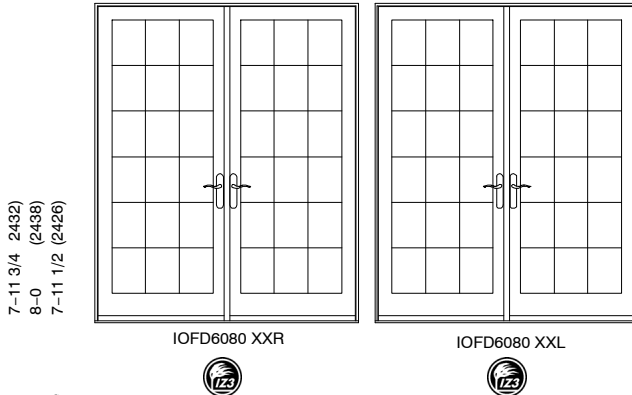
4-11 1/2 (1511)
 5-0 (1524)
 4-11 (1499)

5-3 1/2 (1613)
 5-4 (1626)
 5-3 (1600)



7-11 3/4 (2432)
 8-0 (2438)
 7-11 1/2 (2426)

5-11 1/2 (1816)
 6-0 (1829)
 5-11 (1803)



7-11 3/4 (2432)
 8-0 (2438)
 7-11 1/2 (2426)

O = Stationary Panel
 X = Operating Panel
 L = Left Panel
 R = Right Panel



Represents units that are certified for Impact glazing with a wind zone 3.

All units viewed from exterior.

Max. Opp.
 Rtg. Opp.
 Frame Size

ELEVATIONS TRANSOMS

Mas. Opg.	3-0 13/16 (935)	5-11 1/2 (1816)	8-11 13/16(2739)
Rhg. Opg.	3-1 5/16 (948)	6-0 (1829)	9-0 5/16 (2751)
Frame Size	3-0 5/16 (923)	5-11 (1803)	8-11 5/16(2726)

(406)
 (413)
 (400)
 1-4
 1-4 1/4
 1-3 3/4
 Mas. Opg.
 Rhg. Opg.
 Frame Size



IOFDDG3616



IOFDDG7216



IOFDDG10816

All units viewed from exterior.

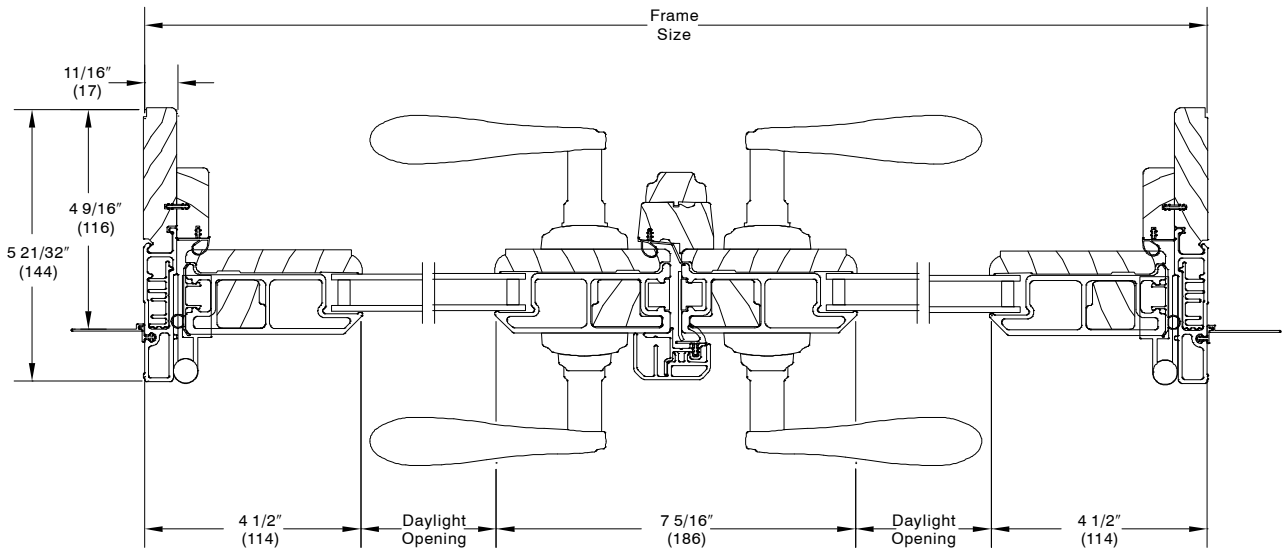
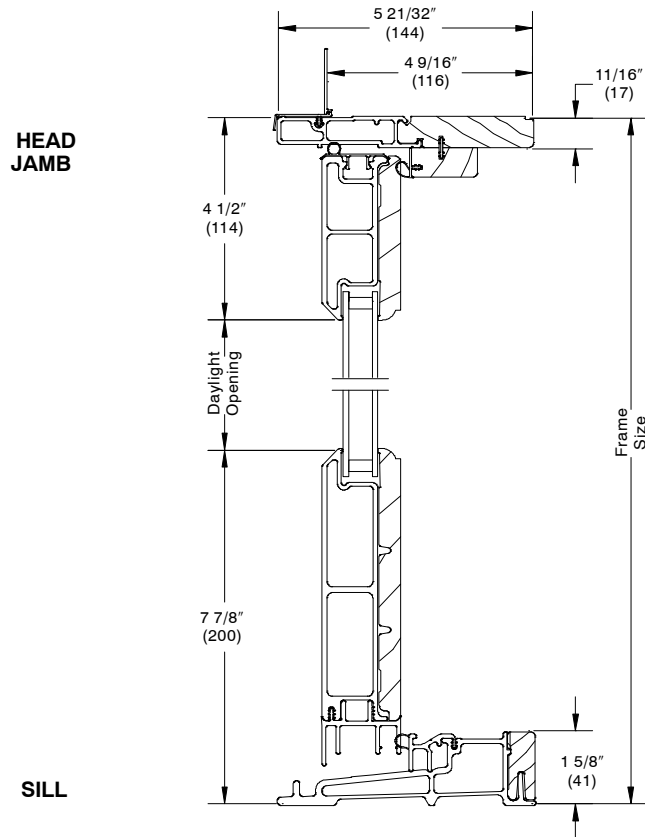


Represents units that are certified for Impact glazing with a wind zone 3.

SECTION DETAILS – 4 9/16" JAMB – XXR OPERATOR

Scale 3" = 1'-0"

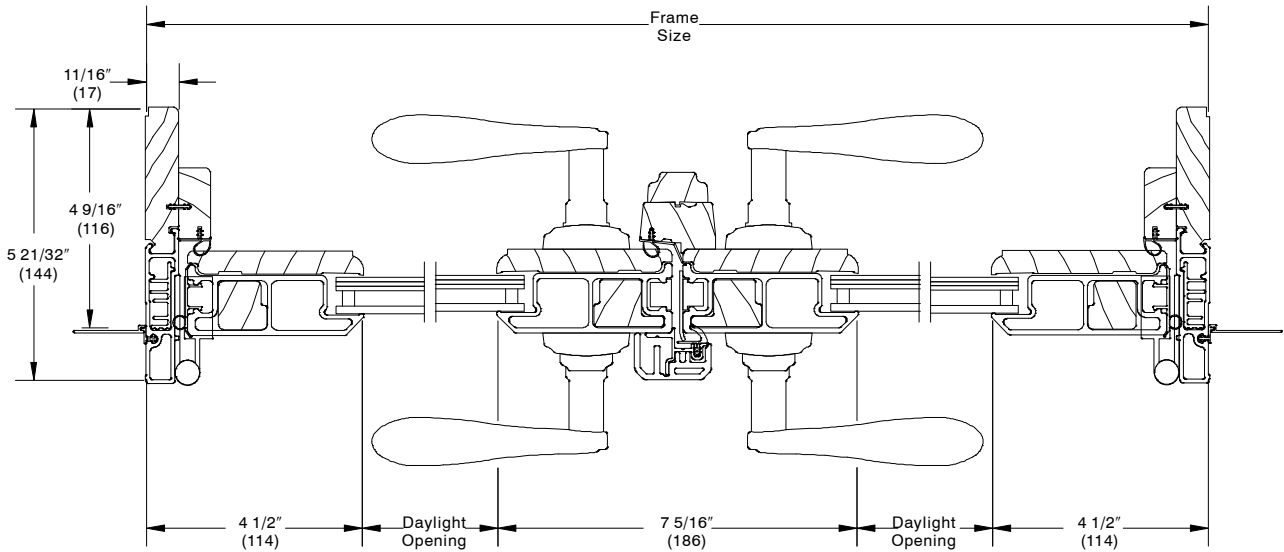
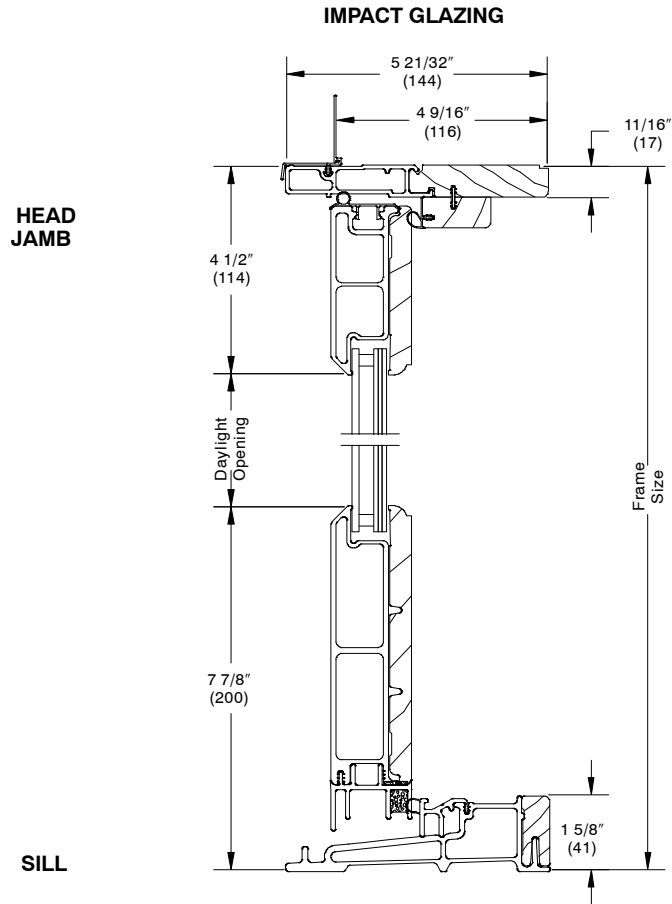
STANDARD GLAZING



2 PANEL JAMB – XXR

SECTION DETAILS – 4 9/16" JAMB – XXR OPERATOR

Scale 3" = 1'-0"



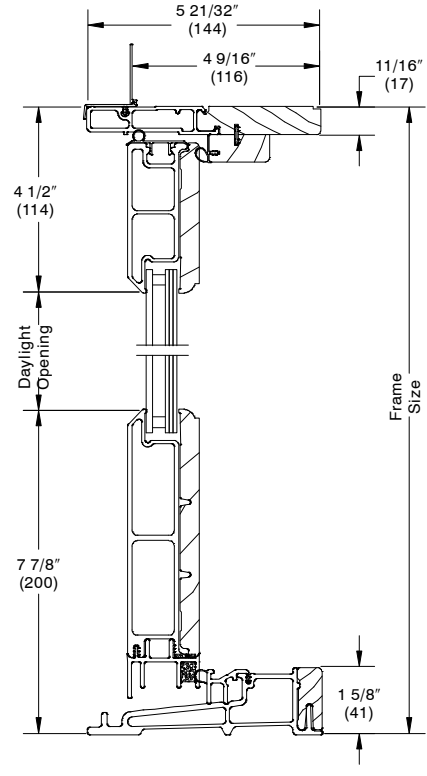
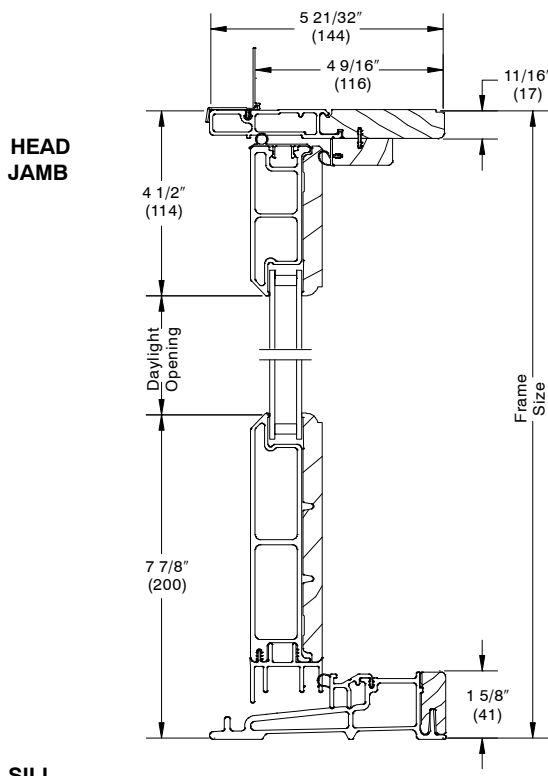
2 PANEL JAMB – XXR

SECTION DETAILS – 4 9/16" JAMB – X – OPERATOR

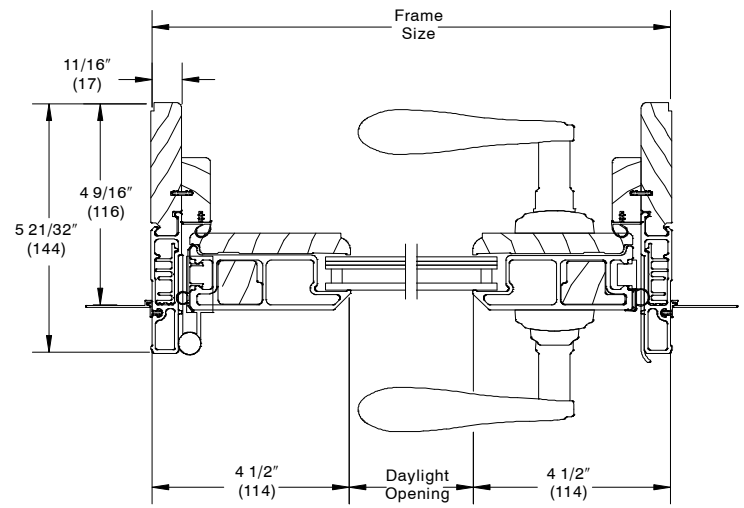
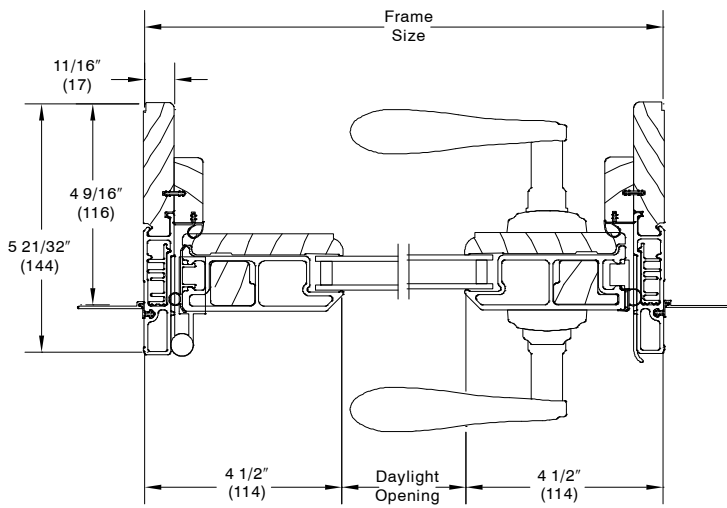
Scale 3" = 1'-0"

STANDARD GLAZING

IMPACT GLAZING



SILL

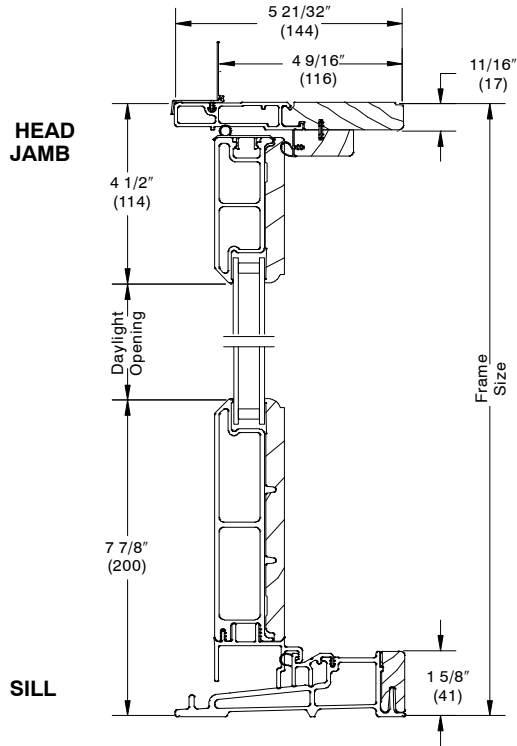


SINGLE PANEL JAMB – XR

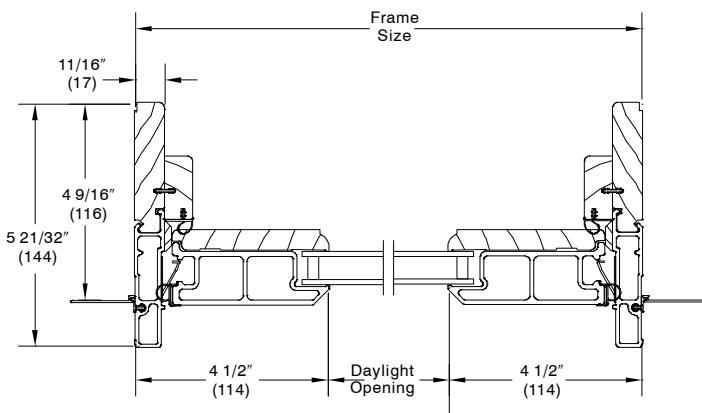
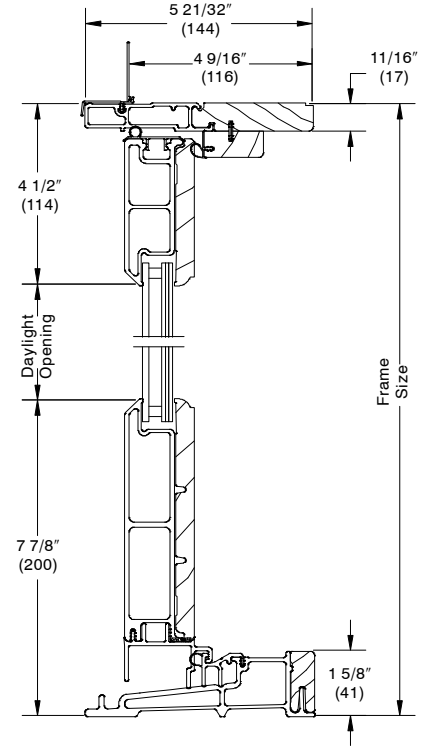
SECTION DETAILS – 4 9/16" JAMB – STATIONARY

Scale 3" = 1'-0"

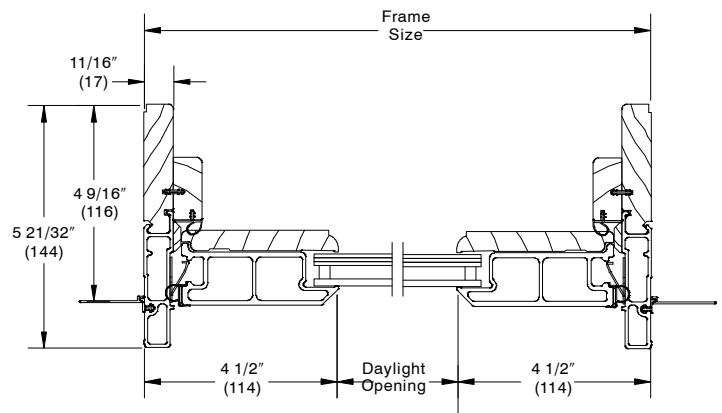
STANDARD GLAZING



IMPACT GLAZING



SINGLE PANEL JAMB – O STATIONARY

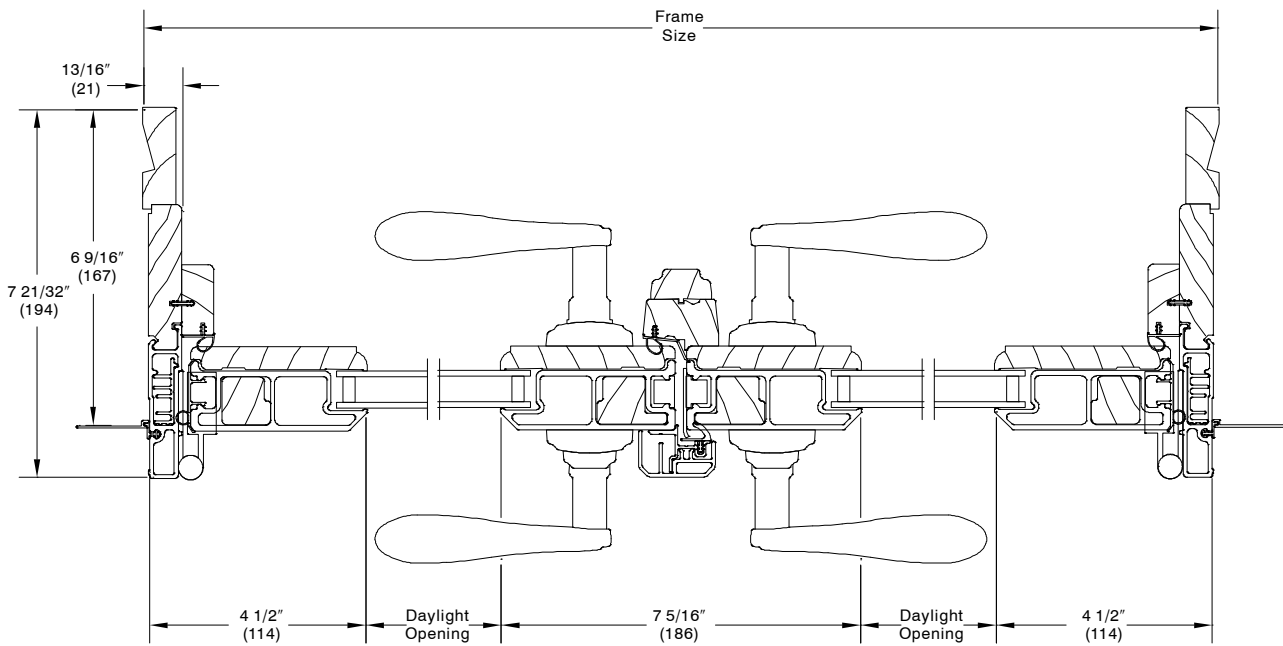
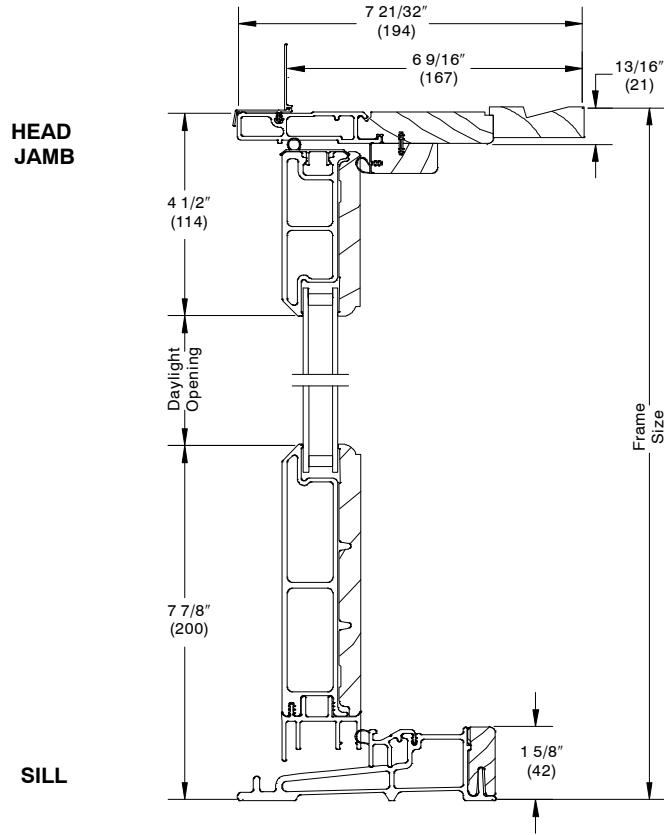


SINGLE PANEL JAMB – O STATIONARY

SECTION DETAILS – 6 9/16" JAMB – XXR OPERATOR

Scale 3" = 1'-0"

STANDARD GLAZING

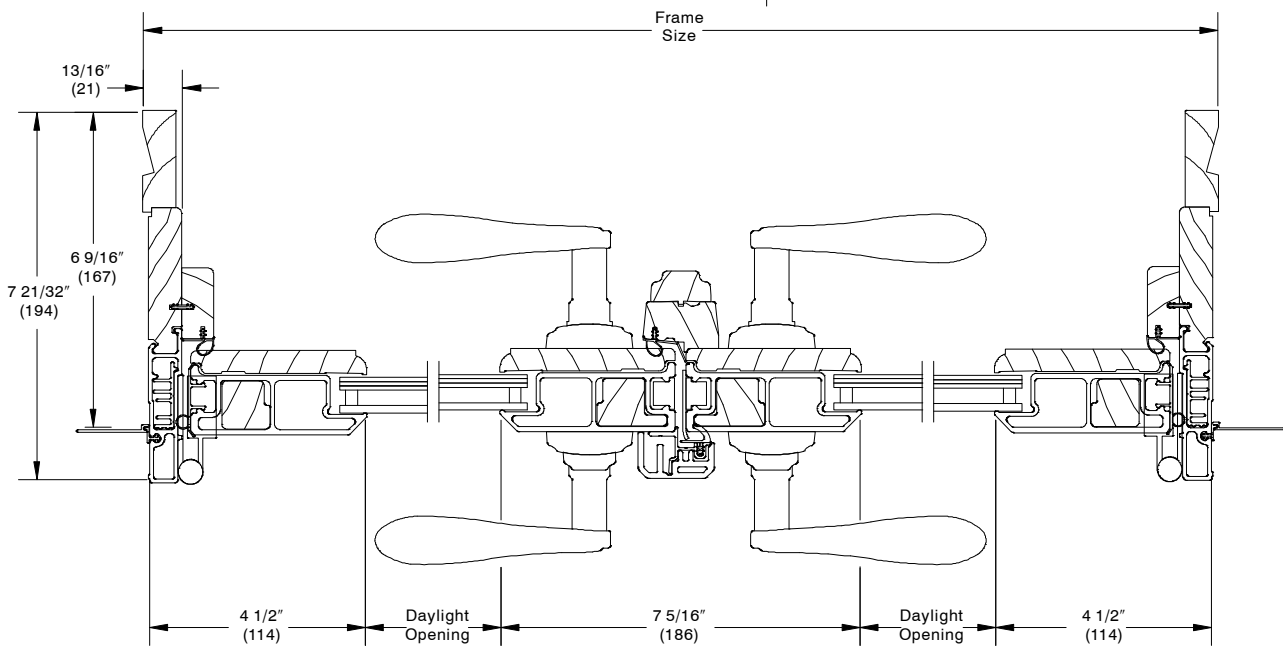
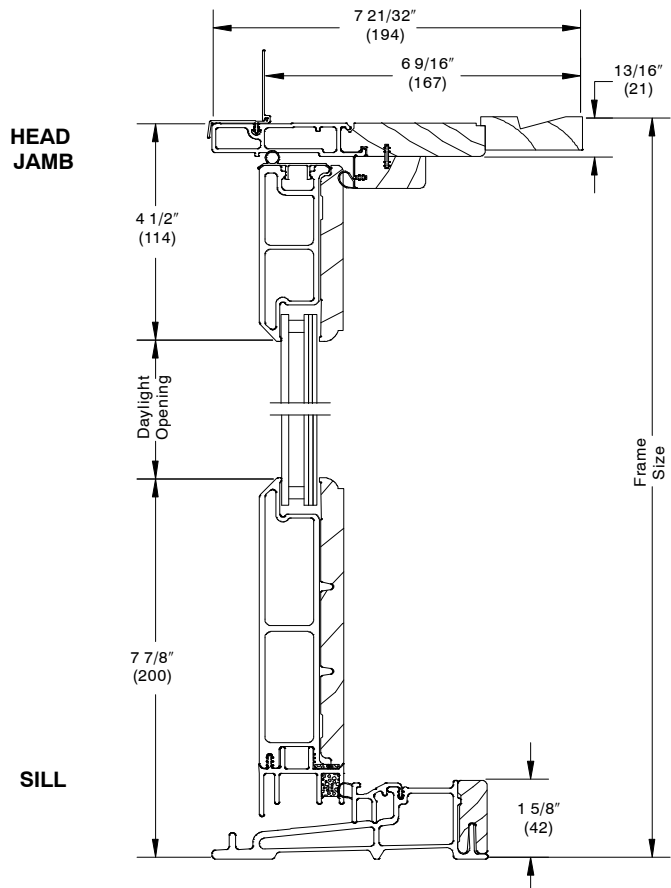


2 PANEL JAMB – XXR

SECTION DETAILS – 6 9/16" JAMB – XXR OPERATOR

Scale 3" = 1'-0"

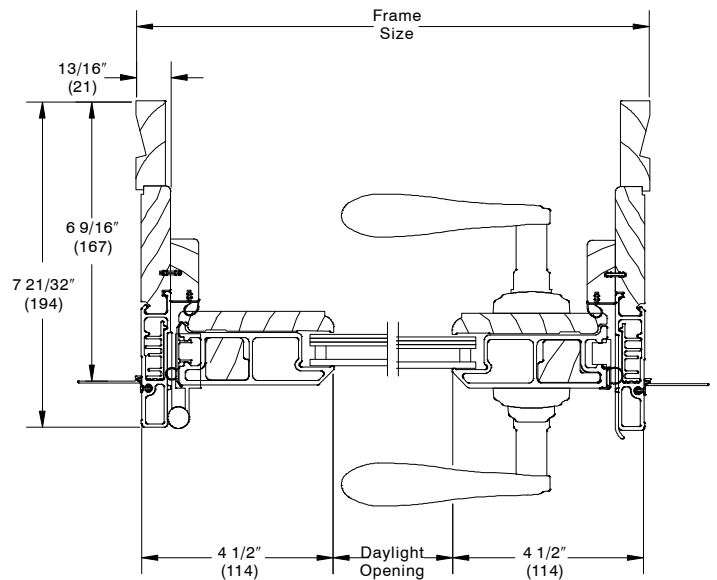
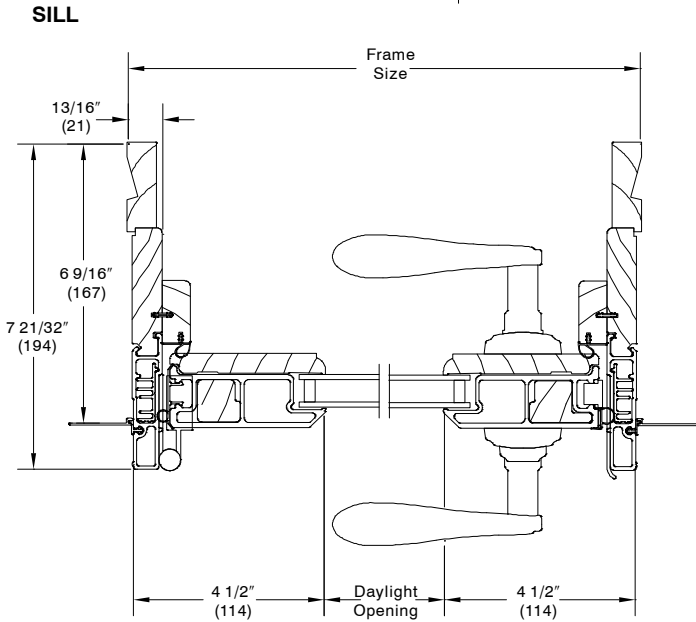
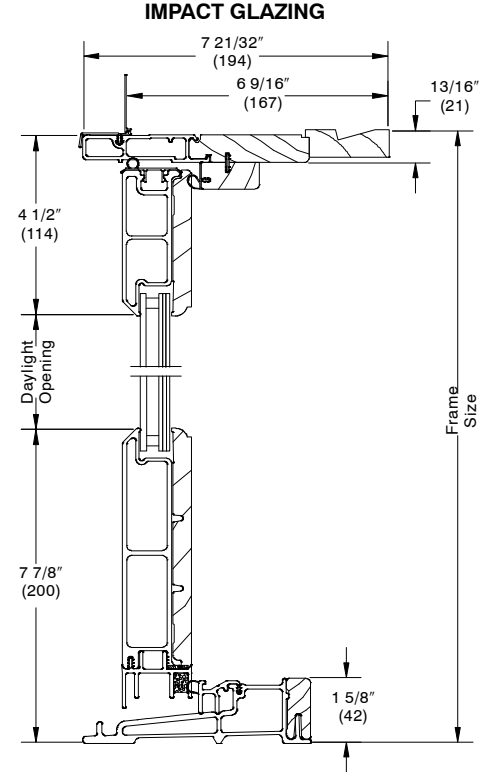
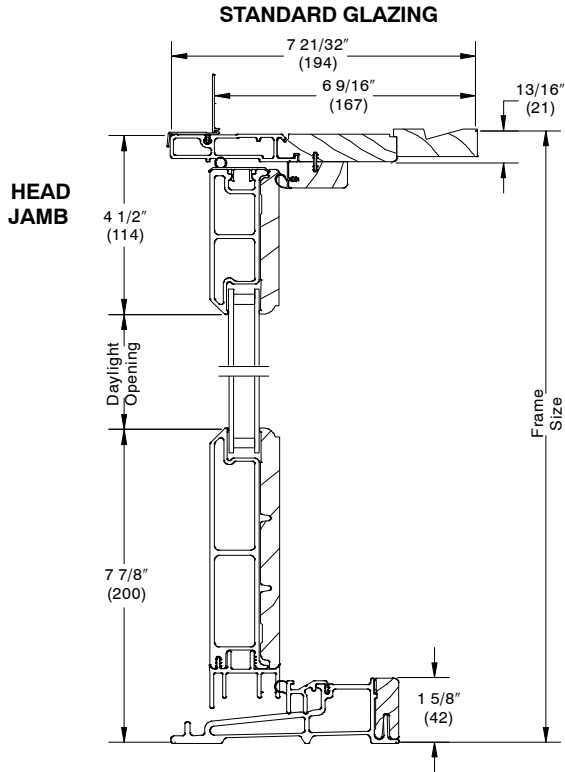
IMPACT GLAZING



2 PANEL JAMB – XXR

SECTION DETAILS - 6 9/16" JAMB - X - OPERATOR

Scale 3" = 1'-0"



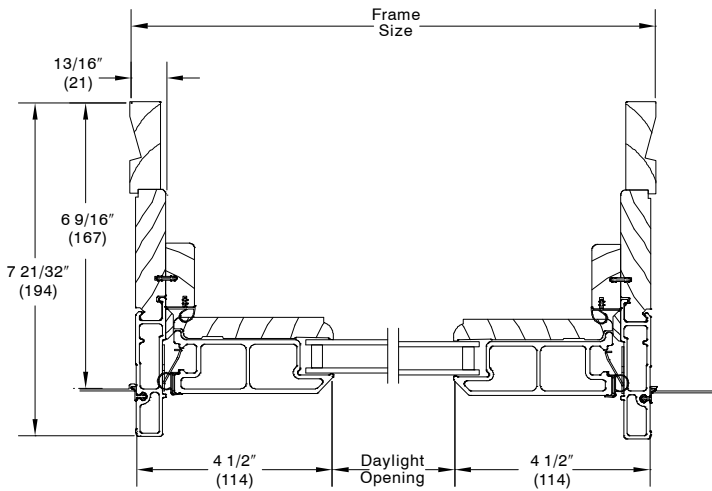
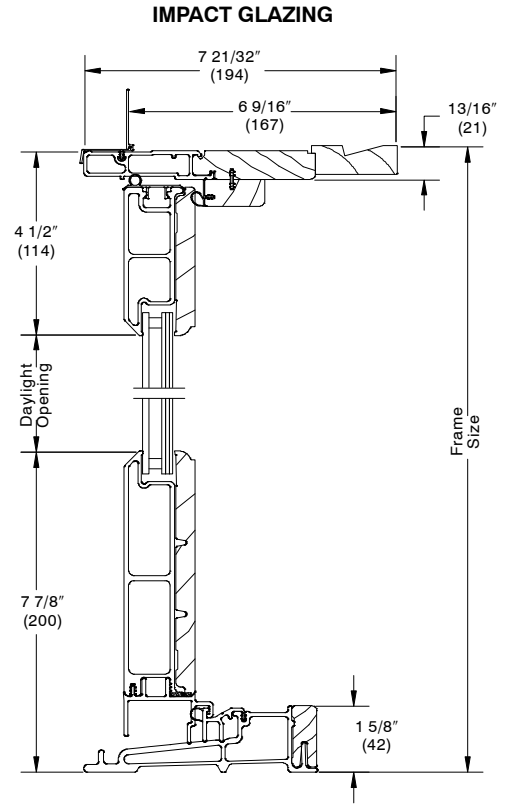
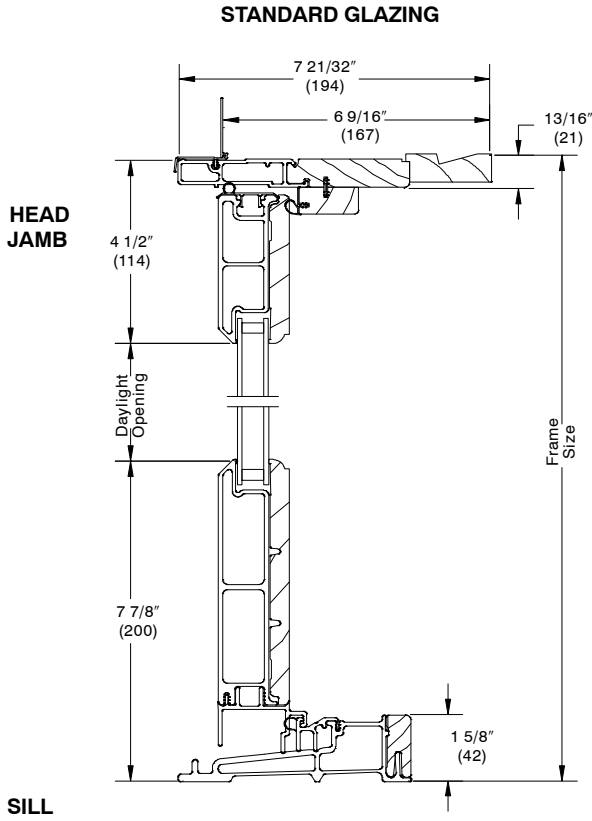
SINGLE PANEL JAMB - X R

SINGLE PANEL JAMB - X R

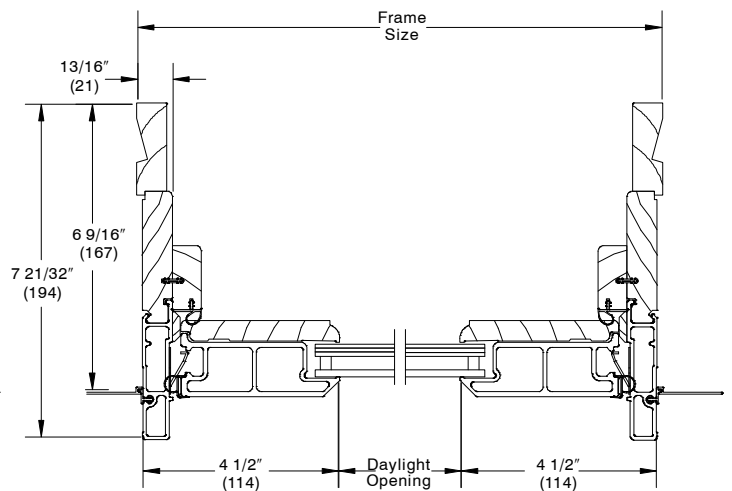
NOTE: Swinging screen available on single panel operation X and 2 panel operation XX.

SECTION DETAILS – 6 9/16" JAMB – STATIONARY

Scale 3" = 1'-0"



SINGLE PANEL JAMB – O STATIONARY

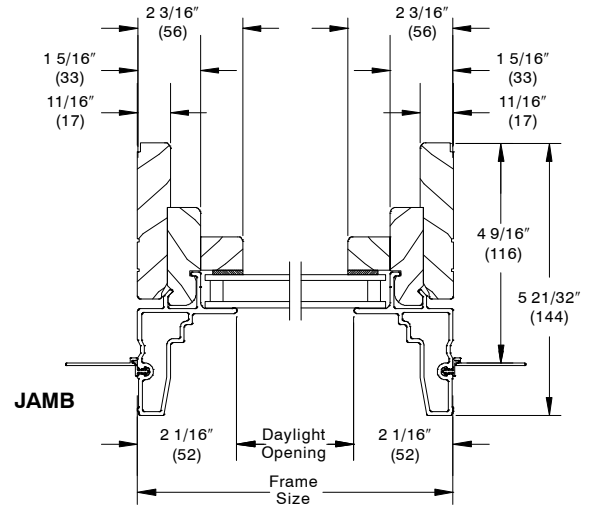
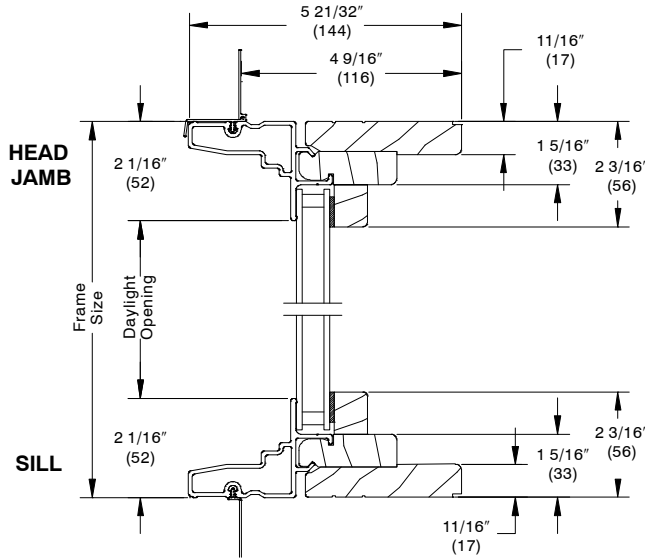


SINGLE PANEL JAMB – O STATIONARY

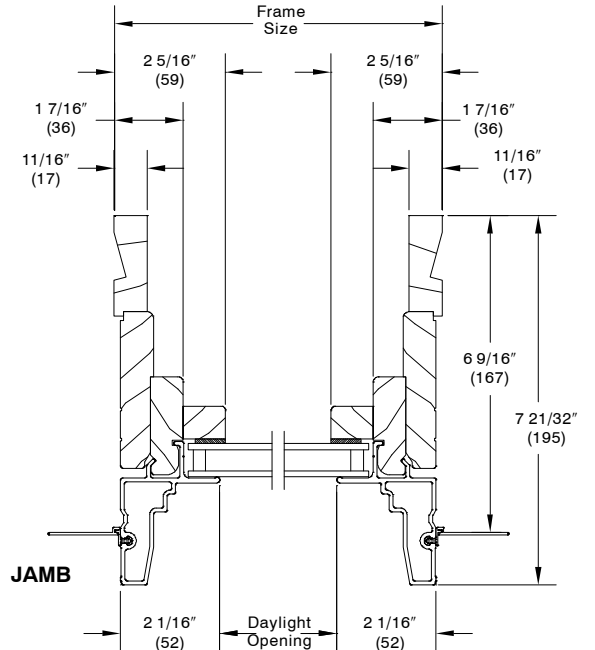
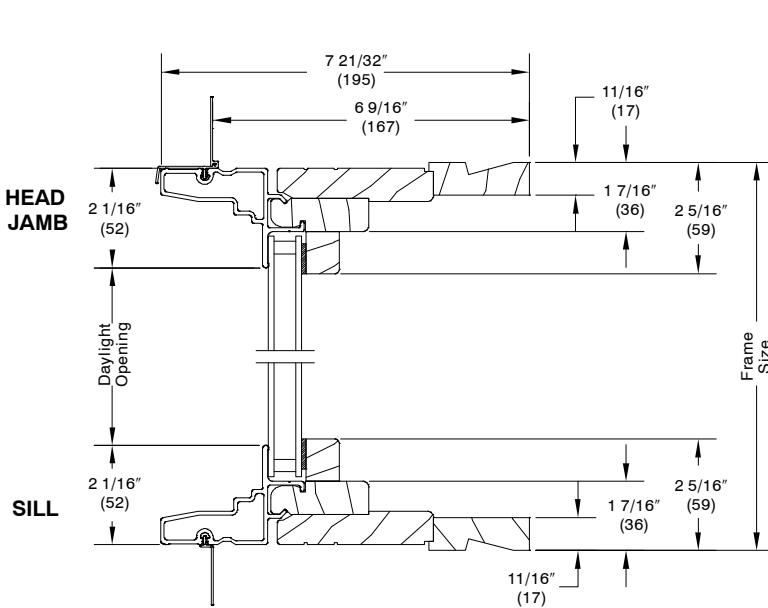
SECTION DETAILS – TRANSOM STAND ALONE – 4 9/16" AND 6 9/16" JAMB

Scale 3" = 1'-0"

STANDARD GLAZE DIRECT GLAZE TRANSOM – 4 9/16" Jamb



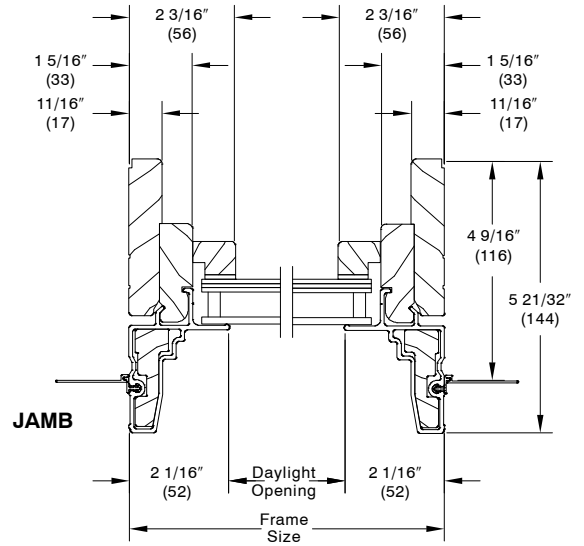
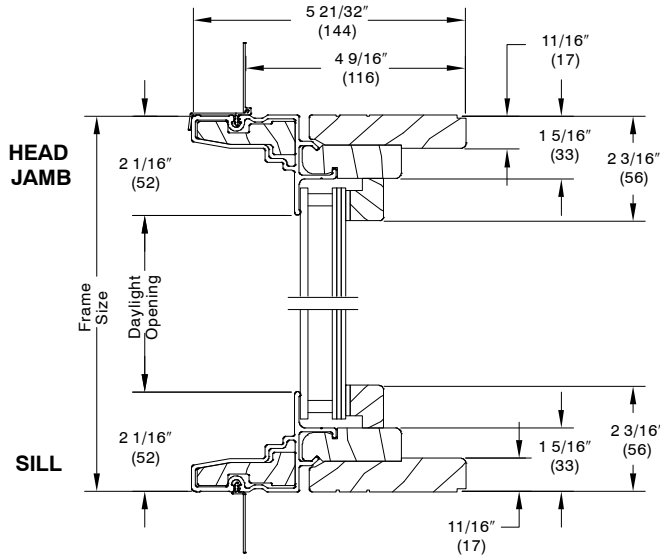
STANDARD GLAZE DIRECT GLAZE TRANSOM – 6 9/16" Jamb



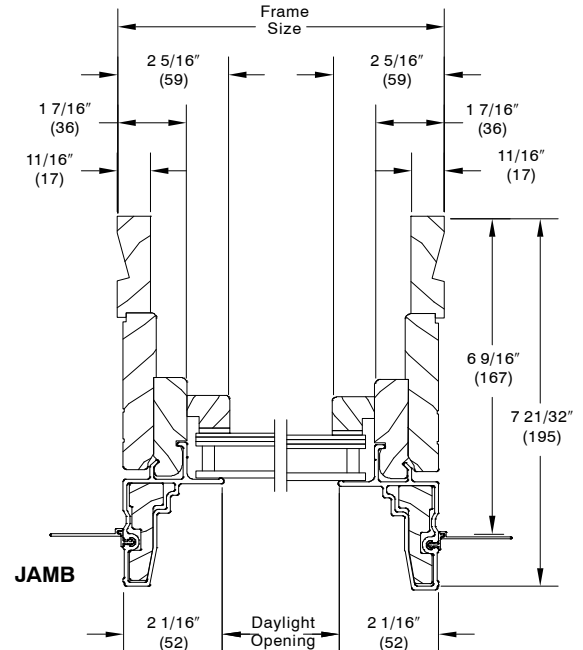
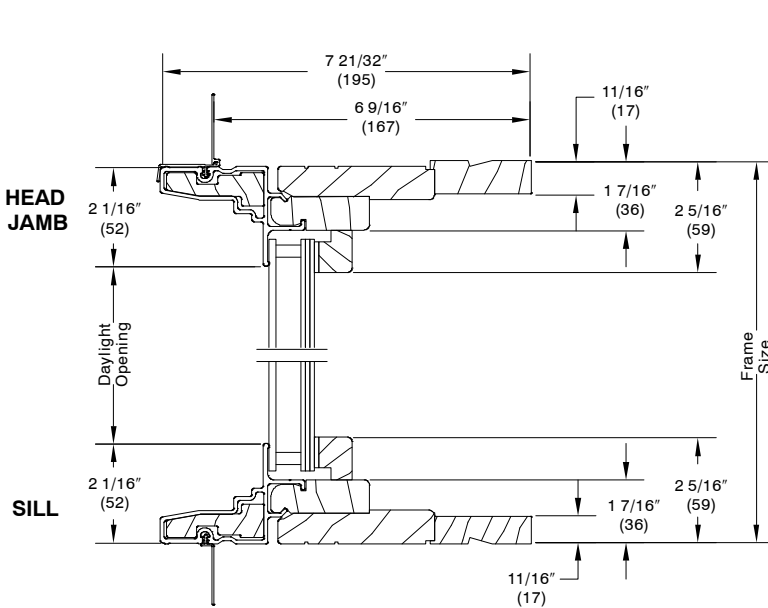
SECTION DETAILS – TRANSOM STAND ALONE – 4 9/16" AND 6 9/16" JAMB

Scale 3" = 1'-0"

IMPACT GLAZE DIRECT GLAZE TRANSOM – 4 9/16" Jamb



IMPACT GLAZE DIRECT GLAZE TRANSOM – 6 9/16" Jamb



IMPACT MULLING GUIDELINES

Factory Mulling

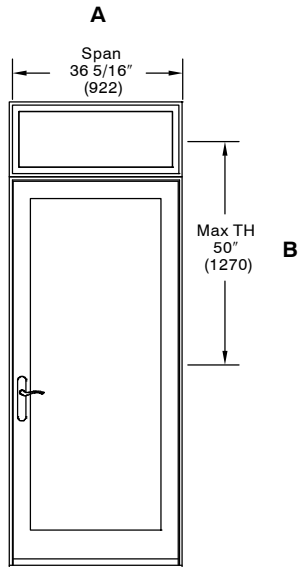
The Wood-Ultrex Outswing Door may be mulled to WU Outswing Door, Direct Glaze Polygon, and Integrity Round Tops.

- Standard mull limits (all factory mulls)
 - Maximum Mullled Assembly RO Size
 - 3 units wide x 1 unit high – 109–15/16" (2792) x 96" (2438)
 - 2 units wide x 2 units high – 73–5/8" (1870) x 100–1/2" (2553)
- Field Mulling beyond 110" (2794) x 112" (2845) is not recommended

Impact Certified Mull Limits: WDMA Hallmark certified to AAMA 450.

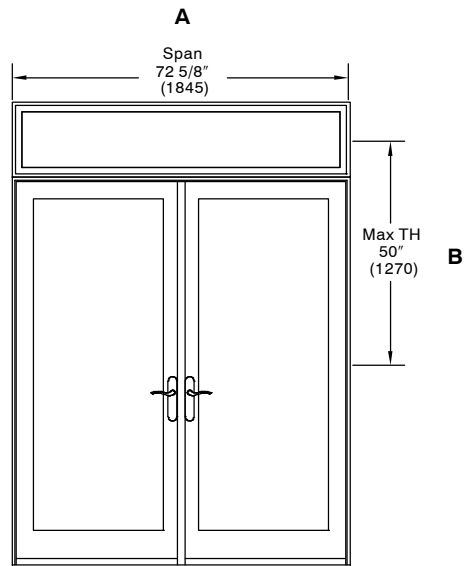
- If assemblies have individual units that have a lower design pressure than the mull; the entire assembly is rated at the lower design pressure.
- Mull certification includes 12" mull brackets fastened at all mull joints
- Items not included in certified mulls: Standard mull assemblies, Integrity Round Tops, Impact XX + (X or O) assembly

1 Directional Mull Limits				
Product	Max Span	Max TW or TH	Max R.O.	DP
WU Outswing Vertical Mulling IZ3	95 1/2" (2426)	36 5/16" (922)	109 15/16" x 96" (2792) x (2438)	55/65
WU Outswing Horizontal Mulling IZ3	71" (1803)	50" (1270)	72" x 100 1/2" (1829) x (2553)	55/65



2 Wide 2 High Directional Mull Limits

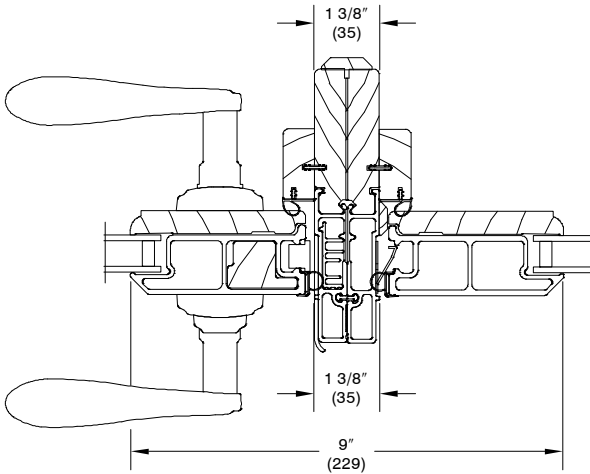
- Standard Mulls are not certified
- Maximum assembly RO Size – 73 5/8" (1870) x 100 1/2" (2553)
- Maximum TH – 50" (1270), Span – 72 5/8" (1845)
- DP Rating 55/60
- No un-reinforced mull joints



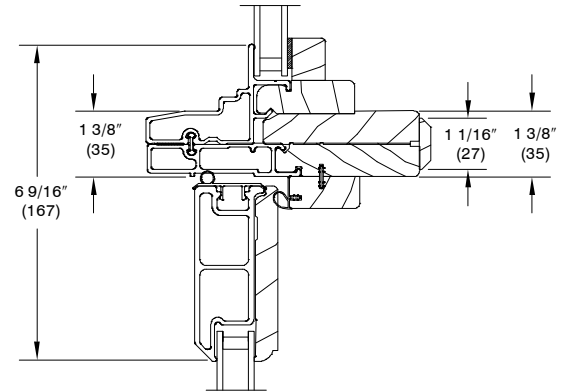
SECTION DETAILS

Scale 3" = 1'-0"

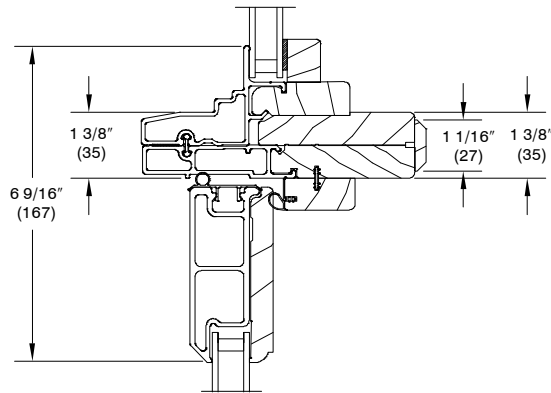
MULLIONS



**VERTICAL MULLION
X-O OPERATOR**



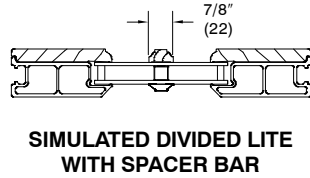
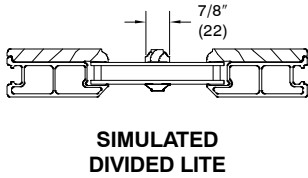
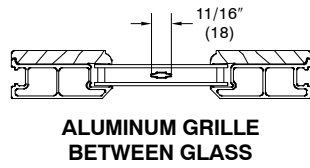
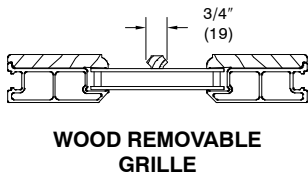
**DIRECT GLAZE TRANSOM
OVER OUTSWING FRENCH DOOR - 4 9/16\"**
Jambs



**DIRECT GLAZE TRANSOM
OVER OUTSWING FRENCH DOOR - 6 9/16\"**
Jambs

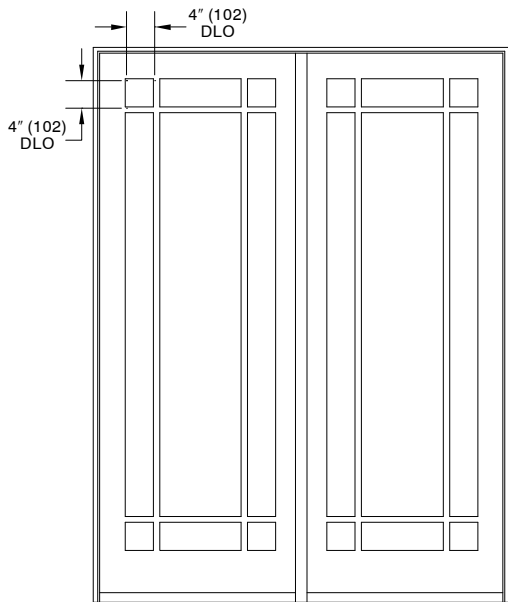
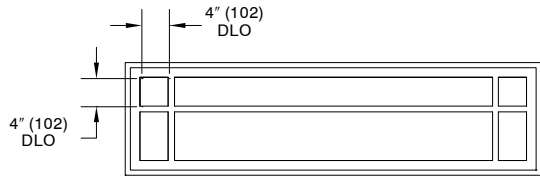
DIVIDED LITE OPTIONS

DIVIDED LITE OPTIONS



GBG or SDL (SDL SHOWN)

* 6 lite prairie lite cuts on IOFDDG 7216 or IOFDDG 10716 due to height limitations. GBGs not available in IOFDDG 10716.

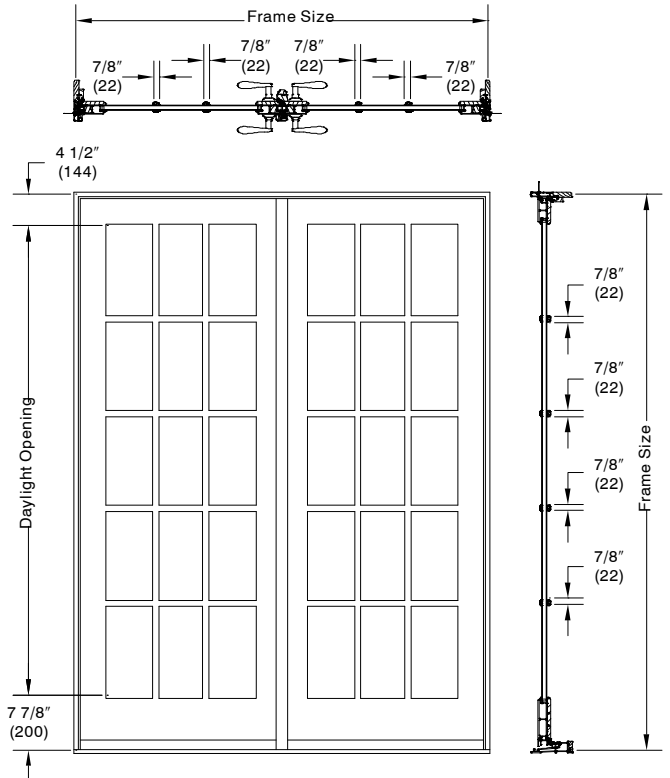


NOTE: * Optional 9 lite per panel Prairie cut GBG or SDL.

Conversion Formula:

$$\frac{\text{Total DLO} - \text{Total bar width}}{\text{Number of lites}} = \text{Individual DLO}$$

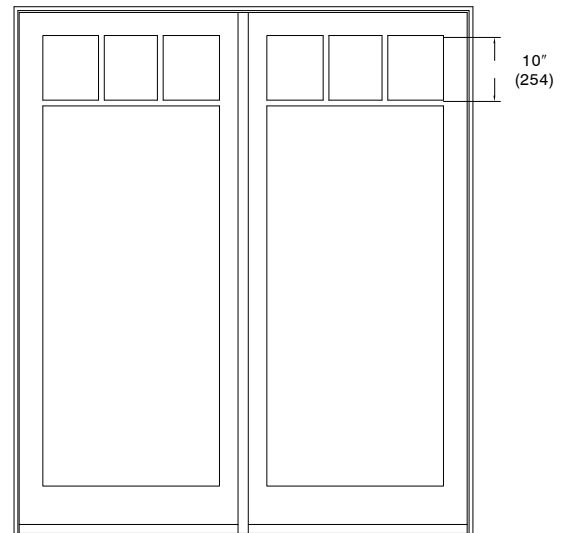
RECTANGLE SDL EXAMPLE SHOWN



COTTAGE LITE CUT

* Horizontal bar is placed at 10" (254) daylight opening.

* Only available in SDL.



NOTE: GBGs are not available on Impact IZ3 units.

NOTE: SDL with Spacer Bar are not available on Impact IZ3 units

DIVIDED LITE OPTIONS – Not to Scale

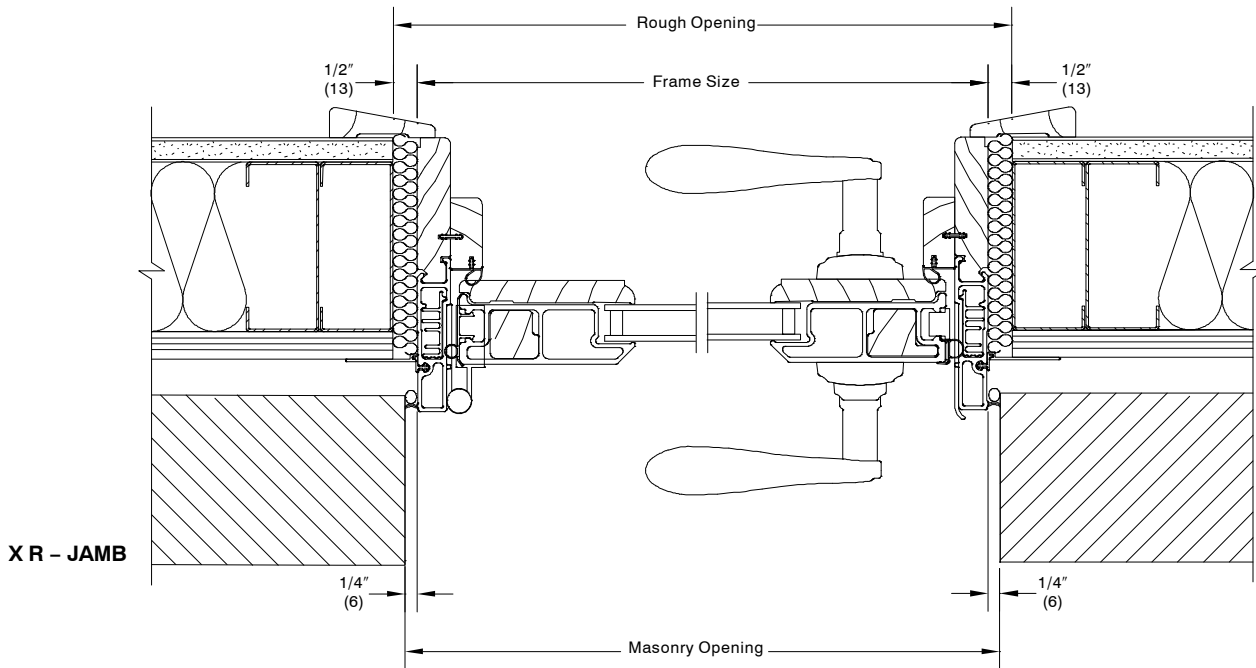
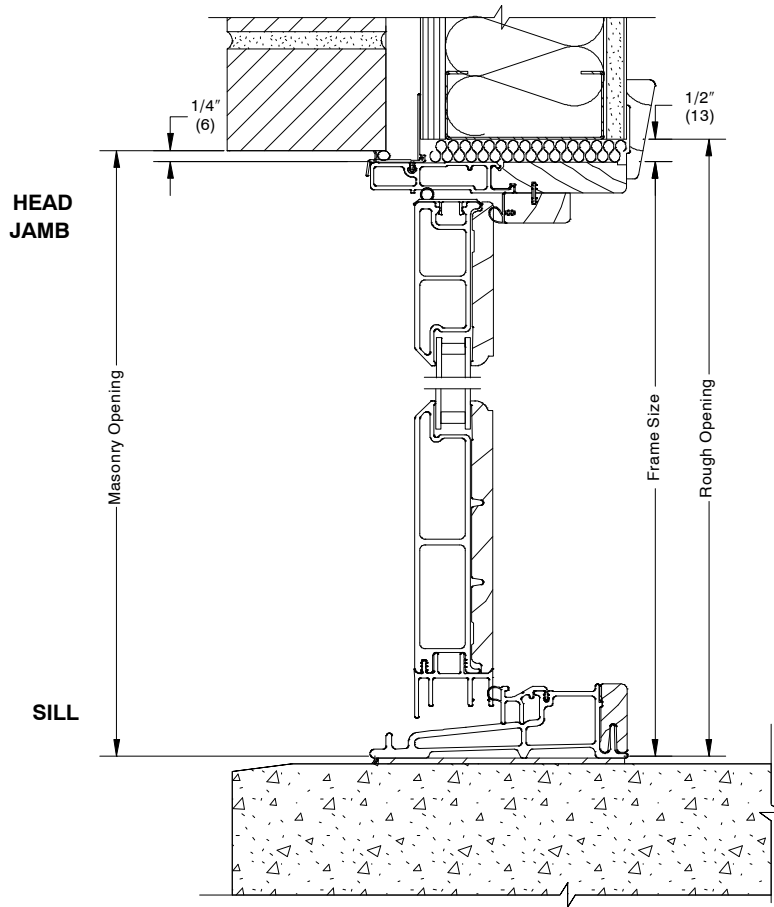
CN	Rectangular			Prairie		Cottage Lite Cuts
	Wood Grille	GBG or SDL		GBG	SDL	
1-Panel Outswing French Door per Panel						
2665	3W5H	3W5H	2W5H	9-Lite	9-Lite	4-Lite
2865	3W5H	3W5H	2W5H	9-Lite	9-Lite	4-Lite
3065	3W5H	3W5H	2W5H	9-Lite	9-Lite	4-Lite
2668	3W5H	3W5H	2W5H	9-Lite	9-Lite	4-Lite
2868	3W5H	3W5H	2W5H	9-Lite	9-Lite	4-Lite
3068	3W5H	3W5H	2W5H	9-Lite	9-Lite	4-Lite
2670	3W5H	3W5H	2W5H	9-Lite	9-Lite	4-Lite
2870	3W5H	3W5H	2W5H	9-Lite	9-Lite	4-Lite
3070	3W5H	3W5H	2W5H	9-Lite	9-Lite	4-Lite
2680	3W6H	3W6H	2W6H	9-Lite	9-Lite	4-Lite
2880	3W6H	3W6H	2W6H	9-Lite	9-Lite	4-Lite
3080	3W6H	3W6H	2W6H	9-Lite	9-Lite	4-Lite
2-Panel Outswing French Door per Panel						
5065	3W5H	3W5H	2W5H	9-Lite	9-Lite	4-Lite
5465	3W5H	3W5H	2W5H	9-Lite	9-Lite	4-Lite
6065	3W5H	3W5H	2W5H	9-Lite	9-Lite	4-Lite
5068	3W5H	3W5H	2W5H	9-Lite	9-Lite	4-Lite
5468	3W5H	3W5H	2W5H	9-Lite	9-Lite	4-Lite
6068	3W5H	3W5H	2W5H	9-Lite	9-Lite	4-Lite
5070	3W5H	3W5H	2W5H	9-Lite	9-Lite	4-Lite
5470	3W5H	3W5H	2W5H	9-Lite	9-Lite	4-Lite
6070	3W5H	3W5H	2W5H	9-Lite	9-Lite	4-Lite
5080	3W6H	3W6H	2W6H	9-Lite	9-Lite	4-Lite
5480	3W6H	3W6H	2W6H	9-Lite	9-Lite	4-Lite
6080	3W6H	3W6H	2W6H	9-Lite	9-Lite	4-Lite
Direct Glaze Transom per unit						
3616	3W1H	3W1H	2W1H	6-Lite Top	6-Lite Top	
7216	6W1H	6W1H	4W1H	6-Lite Top	6-Lite Top	
10816	9W1H	9W1H	6W1H	N/A	N/A	

Notes:

- Direct Glaze Transoms with GBGs or SDL will only align with the cut of the door it is intended to be mulled with and may not have equally spaced lites unless otherwise indicated. For alternative GBG or SDL lite alignment, order a Direct Glaze Rectangle with the divided lite option.
- An IOFDDG 3616 with GBGs or SDL will align over an IOFD CN30 width only.
- An IOFDDG 7216 with GBGs or SDL will align over an IOFD CN60 width only.
- An IOFDDG 10816 is available field-mulled or stand-alone only. Rectangular GBGs or SDL in a field-mulled IOFDDG 10816 will align over an IOFD CN30/60 or CN 60/30 width assembly only. Rectangular GBGs or SDL in a stand-alone IOFDDG 10816 will be equally spaced.

INSTALLATION SUGGESTION

Scale 3" = 1'-0"



BRICK VENEER WITH STEEL FRAME CONSTRUCTION

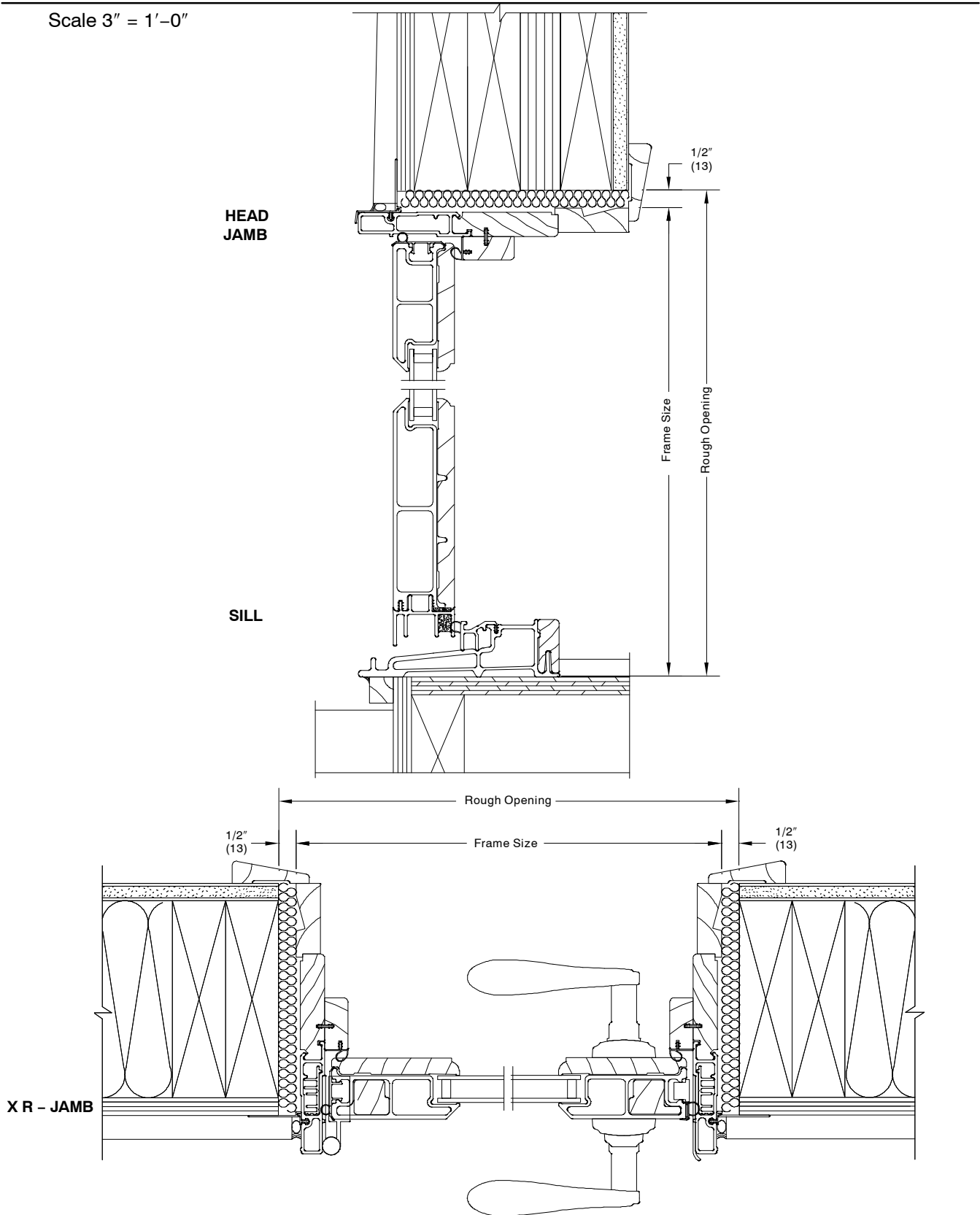
NOTE:

The above wall sections represent typical wall conditions, these details are not intended as installation instructions. Please refer to the installation instructions provided with the purchased units.

Integrity **OUTSWING FRENCH DOOR**
from MARVIN
 Windows and Doors

INSTALLATION SUGGESTION

Scale 3" = 1'-0"

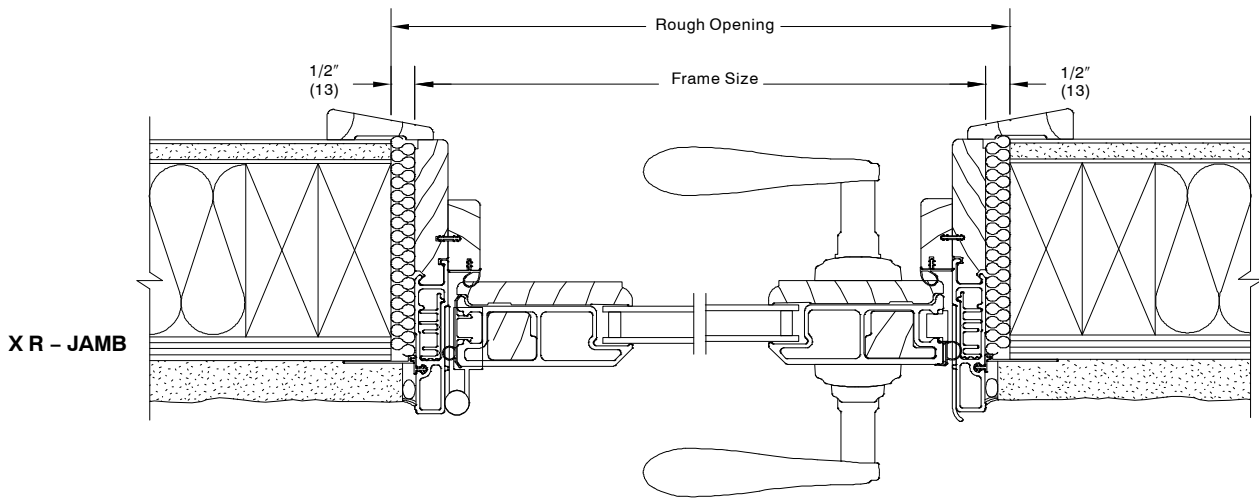
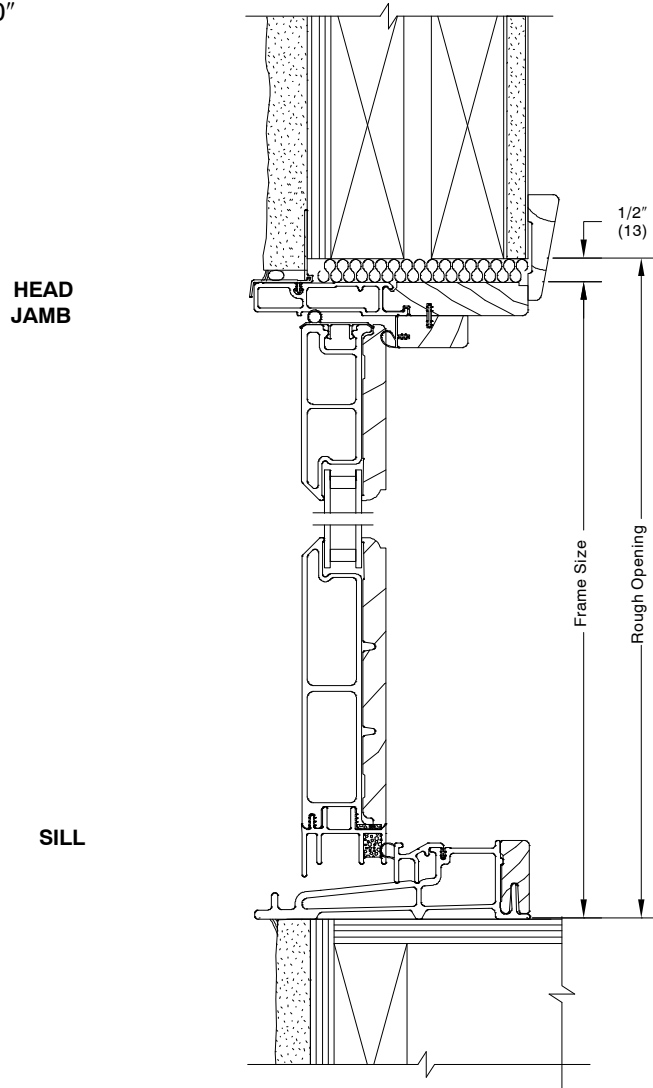


NOTE: **WOOD SIDING WITH 2 X 6 FRAME CONSTRUCTION**

The above wall sections represent typical wall conditions, these details are not intended as installation instructions. Please refer to the installation instructions provided with the purchased units.

INSTALLATION SUGGESTION

Scale 3" = 1'-0"



STUCCO WITH 2X4 FRAME CONSTRUCTION

NOTE:

The above wall sections represent typical wall conditions, these details are not intended as installation instructions. Please refer to the installation instructions provided with the purchased units.