

# INTEGRITY OUTSWING FRENCH DOOR

## Table of Contents

	<b>PAGE</b>
History .....	2
Part Identification – XX Operator .....	3
Part Identification – X Operator .....	4
Part Identification – O Stationary .....	5
<b>Parts</b>	
Hardware .....	6
Wood .....	14
Weather Strip and Vinyl .....	16
Aluminum .....	19
Installation Kits .....	21
Fasteners .....	22
Panel Replacement .....	25
Grille Replacement .....	26
<b>Service</b>	
Head Jamb Strike Field Applied Instruction – Pre 8/31/09 .....	27
Field Applied Non-Handed Hinge Replacement – 02-22-2010 to present (see IIFD Chapter)	29

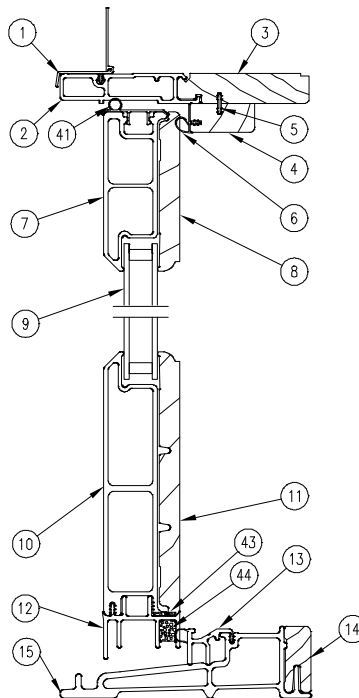
**NOTE: For door transom information see Chapter 6 Round Top/Polygon.**

### **ATTENTION:**

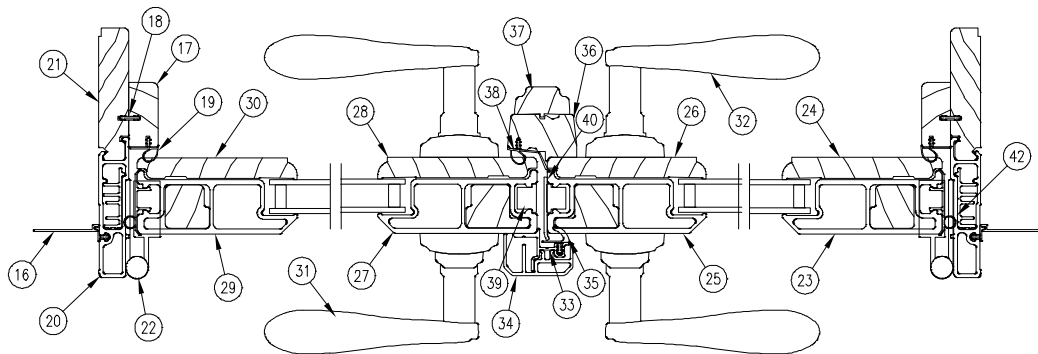
- Specification and technical data are subject to change without notice.
- Numbers listed in parentheses ( ) are metric equivalents in millimeters rounded to the nearest whole number.

PRODUCED	UNIT TYPE	FEATURES OR CHANGES	DISCONTINUED
March 2007	Outswing French Door	Unit features 3/4" insulating Low E II tempered glass with Argon; mortise style multi-point locking system; keyed handle, 4 9/16" and 6 9/16" depths; adjustable hinges, solid wood interior, oak sill liner. The Integrity Outswing French Door is available in one panel (2665, 2668, 2680, 3065, 3068, 3080) stationary or operator and two panel (5065, 5068, 5080, 6065, 6068, 6080) jamb hinged configurations. Factory mulling is available (depending on configuration). Available in white, pebble, or bronze exterior colors; bare or white interior finishes. Handle sets available in White, Almond Frost, and Brass PVD, Satin Nickel PVD, or Oil Rubbed Bronze PVD finishes. Hinges available in White, Pebble Gray, Dark Brown, Coastal Satin Nickel, or Coastal Brass finishes.	Present
November 2007	Outswing French Door	Evergreen exteriors introduced.	Present
March 2008	Outswing French Door	Cashmere exteriors introduced March 17, 2008.	Present
June 2008	Outswing French Door	Impact products introduced June, 2008.	Present
July 2008	Outswing French Door	Cottage SDL lite cut made available for Wood-Ultrex. Refer to product bulletin #99.	Present
May 2009	Outswing French Door	LoE <sup>3</sup> 366™ glass option introduced. Call number sizes 2-8 and 5-4 added.	Present
August 2009	Outswing French Door	Header strike plate redesign	Present
February 2010	Outswing French Door	Introduced new non handed hinge design	Present
August 2012	Outswing French Door	August 27, 2012: Introduced Wood-Ultrex Ebony exterior and exterior casing options.	Present
April 2014	Outswing French Door	April 28, 2014: Interior and Exterior Split Finish option became available so customers could choose different colors between exterior and interior handles. All current handle styles were given the name Cambridge. Handles are no longer available in sets.  Introduced Special Size Door options. An addition of a CN 7-0 height option, available in 1/64" increments.	Present
October 2014	Outswing French Door	October 27, 2014: Added Northfield hardware handle sets.	Present

**2 PANEL OPERATOR – XX**



**HEAD JAMB &  
SILL DETAIL**



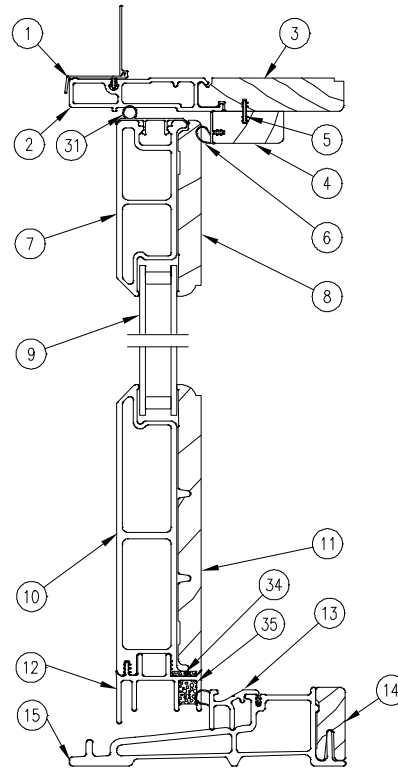
**JAMB  
DETAIL**

**NOTE: XX CONFIGURATION SHOWN**

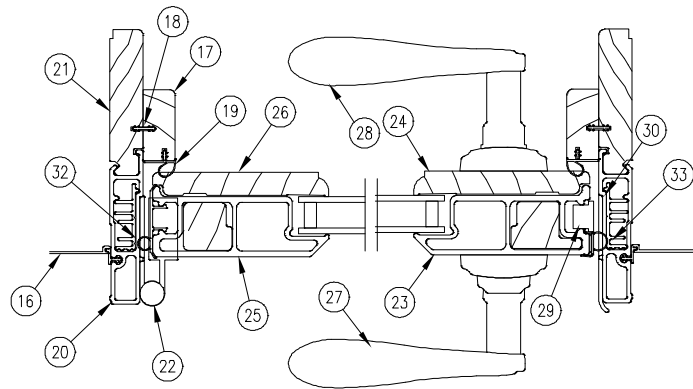
NOTE: Not to scale; specifications subject to change without notice.

- |                                   |                                      |                                     |
|-----------------------------------|--------------------------------------|-------------------------------------|
| 1. Head Jamb Nailing Fin/Drip Cap | 16. Jamb Nailing Fin                 | 31. Exterior Handle                 |
| 2. Head Jamb (Ultrex)             | 17. Jamb Panel Stop                  | 32. Interior Handle                 |
| 3. Head Jamb Liner                | 18. Jamb Connecting Barb             | 33. Exterior Astragal Base          |
| 4. Head Jamb Panel Stop           | 19. Jamb Weather Strip               | 34. Exterior Astragal               |
| 5. Head Jamb Connecting Barb      | 20. Jamb (Ultrex)                    | 35. Exterior Astragal Weather Strip |
| 6. Head Jamb Weather Strip        | 21. Jamb Liner                       | 36. Interior Astragal Base          |
| 7. Top Rail (Ultrex)              | 22. Adjustable Hinge                 | 37. Interior Astragal               |
| 8. Top Rail                       | 23. Secondary Hinge Stile (Ultrex)   | 38. Interior Astragal Weather Strip |
| 9. Insulated Glass                | 24. Secondary Hinge Stile            | 39. Mortise Lock                    |
| 10. Bottom Rail (Ultrex)          | 25. Secondary Locking Stile (Ultrex) | 40. Secondary Strike Plate          |
| 11. Bottom Rail                   | 26. Secondary Locking Stile          | 41. Top Rail Weather Strip          |
| 12. Sweep                         | 27. Primary Locking Stile (Ultrex)   | 42. Stile Panel Weather Strip       |
| 13. Sill Weather Strip            | 28. Primary Locking Stile            | 43. Foam Tape                       |
| 14. Oak Sill Liner                | 29. Primary Hinge Stile (Ultrex)     | 44. Foam                            |
| 15. Sill (Ultrex)                 | 30. Primary Hinge Stile              |                                     |

**ONE PANEL – 1 PANEL X**



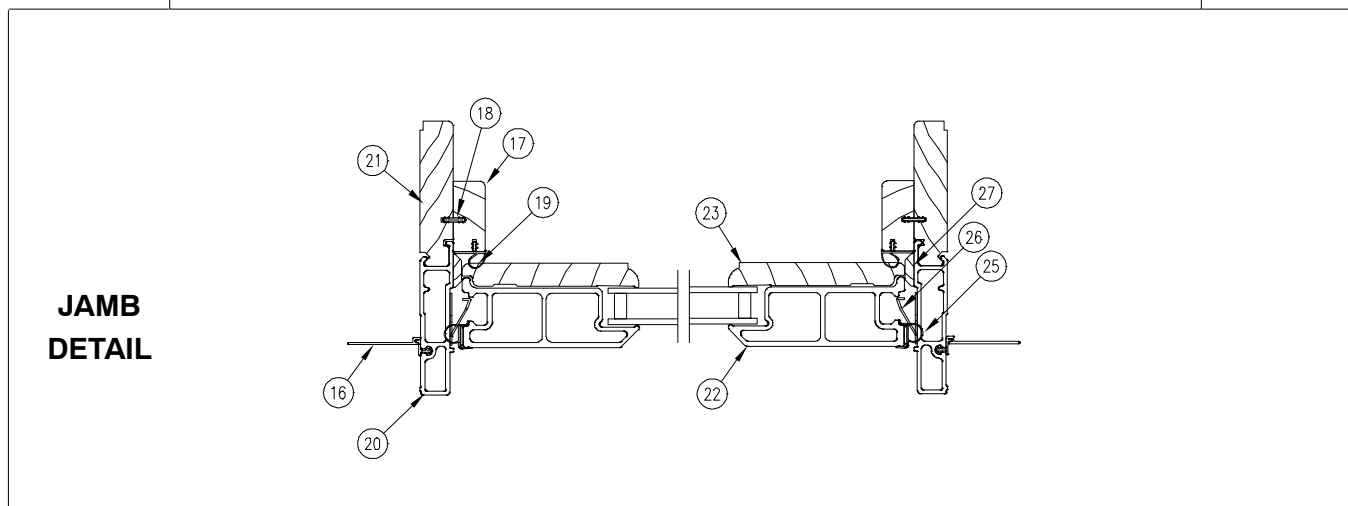
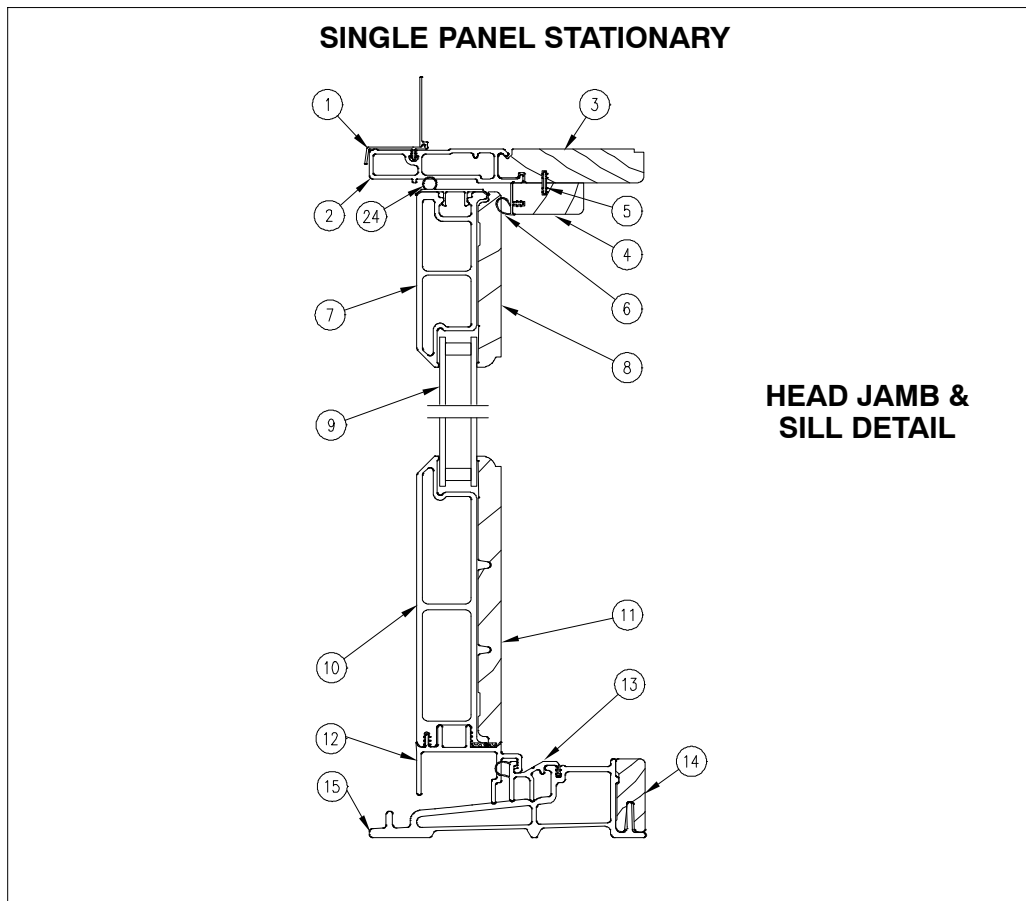
**HEAD JAMB &  
SILL DETAIL**



**JAMB  
DETAIL**

NOTE: Not to scale; specifications subject to change without notice.

- |                                   |                            |                                       |
|-----------------------------------|----------------------------|---------------------------------------|
| 1. Head Jamb Nailing Fin/Drip Cap | 13. Sill Weather Strip     | 25. Hinge Stile (Ultrex)              |
| 2. Head Jamb (Ultrex)             | 14. Oak Sill Liner         | 26. Hinge Stile                       |
| 3. Head Jamb Liner                | 15. Sill (Ultrex)          | 27. Exterior Handle                   |
| 4. Head Jamb Panel Stop           | 16. Jamb Nailing Fin       | 28. Interior Handle                   |
| 5. Head Jamb Connecting Barb      | 17. Jamb Panel Stop        | 29. Mortise Lock                      |
| 6. Head Jamb Weather Strip        | 18. Jamb Connecting Barb   | 30. Strike Plate                      |
| 7. Top Rail (Ultrex)              | 19. Jamb Weather Strip     | 31. Top Rail Weather Strip            |
| 8. Top Rail                       | 20. Jamb (Ultrex)          | 32. Stile Panel Weather Strip         |
| 9. Insulated Glass                | 21. Jamb Liner             | 33. Locking Stile Panel Weather Strip |
| 10. Bottom Rail (Ultrex)          | 22. Adjustable Hinge       | 34. Foam Tape                         |
| 11. Bottom Rail                   | 23. Locking Stile (Ultrex) | 35. Foam                              |
| 12. Sweep                         | 24. Locking Stile          |                                       |



NOTE: Not to scale; specifications subject to change without notice.

- |                                   |                          |                               |
|-----------------------------------|--------------------------|-------------------------------|
| 1. Head Jamb Nailing Fin/Drip Cap | 10. Bottom Rail (Ultrex) | 19. Jamb Weather Strip        |
| 2. Head Jamb (Ultrex)             | 11. Bottom Rail          | 20. Jamb (Ultrex)             |
| 3. Head Jamb Liner                | 12. Sweep                | 21. Jamb Liner                |
| 4. Head Jamb Panel Stop           | 13. Sill Weather Strip   | 22. Stile (Ultrex)            |
| 5. Head Jamb Connecting Barb      | 14. Oak Sill Liner       | 23. Stile                     |
| 6. Head Jamb Weather Strip        | 15. Sill (Ultrex)        | 24. Top Rail Weather Strip    |
| 7. Top Rail (Ultrex)              | 16. Jamb Nailing Fin     | 25. Stile Panel Weather Strip |
| 8. Top Rail                       | 17. Jamb Panel Stop      | 26. Stationary Panel Clip     |
| 9. Insulated Glass                | 18. Jamb Connecting Barb | 27. Stationary Jamb Block     |

When ordering replacement Outswing French Door parts specify:

1. Part number;
2. Description;
3. Color (if applicable);
4. Handing (if applicable).

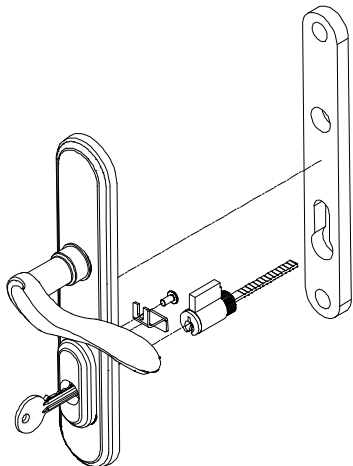
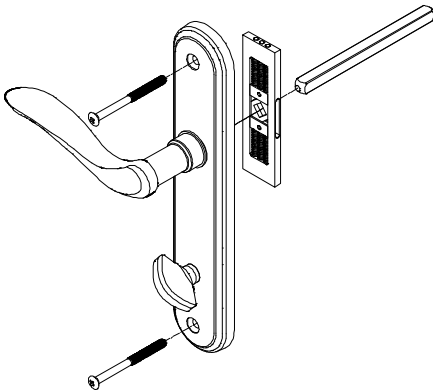
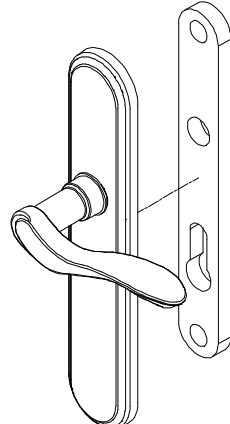
ILLUSTRATION NOT TO SCALE	DESCRIPTION	OPER./COLOR	PART NO.
	<p><b>Cambridge Primary Handle Set, Exterior</b> Includes: 1 - Exterior Handle 1 - Exterior Escutcheon 1 - Hardware Gasket 1 - Z Clip 1 - Z Clip Screw 1 - Keyed Cylinder</p>	<p><b>XXR, XR</b> AF WH BS PVD SN PVD ORBZ PVD</p> <p><b>XXL, XL</b> AF WH BS PVD SN PVD ORBZ PVD</p>	<p>11869116 11869117 11869118 11869119 11869156</p> <p>11869111 11869112 11869113 11869114 11869115</p>
	<p><b>Cambridge Primary Handle Set, Interior</b> Includes: 1 - Interior Handle 1 - Interior Escutcheon 1 - Spring Cassette 1 - Spindle 1 - Thumb Turn 2 - M5 x 58 Machine screws</p>	<p><b>XXR, XR</b> AF WH BS PVD SN PVD ORBZ PVD</p> <p><b>XXL, XL</b> AF WH BS PVD SN PVD ORBZ PVD</p>	<p>11869106 11869107 11869108 11869109 11869110</p> <p>11869101 11869102 11869103 11869104 11869105</p>
	<p><b>Cambridge Secondary Handle Set, Exterior</b> Includes: 1 - Exterior Handle 1 - Exterior Escutcheon 1 - Hardware Gasket</p> <p>NOTE: Secondary handle is the opposite handing of the door</p>	<p><b>XXL</b> AF WH BS PVD SN PVD ORBZ PVD</p> <p><b>XXR</b> AF WH BS PVD SN PVD ORBZ PVD</p>	<p>11869136 11869137 11869138 11869139 11869140</p> <p>11869131 11869132 11869133 11869134 11869135</p>

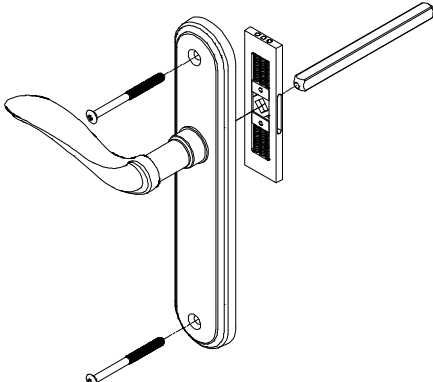
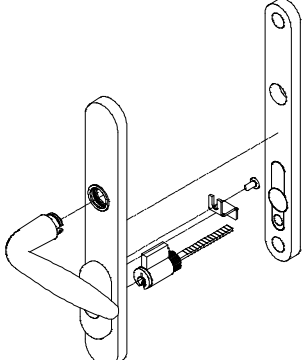
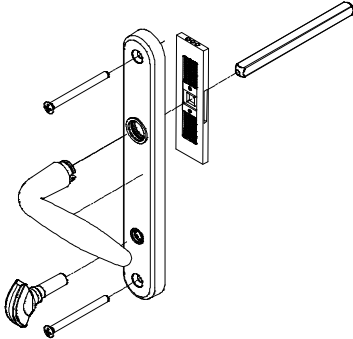
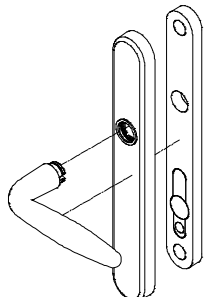
ILLUSTRATION NOT TO SCALE	DESCRIPTION	OPER./COLOR	PART NO.
	<p><b>Cambridge Secondary Handle Set, Interior</b></p> <p><i>Includes:</i>                      1 - Interior Handle                      1 - Interior Escutcheon                      1 - Spring Cassette                      1 - Spindle                      2 - M5 x 58 Machine screws</p> <p>NOTE: Secondary handle is the opposite handing of the door</p>	<p><b>XXL</b>                      AF                      WH                      BS PVD                      SN PVD                      ORBZ PVD</p> <p><b>XXR</b>                      AF                      WH                      BS PVD                      SN PVD                      ORBZ PVD</p>	<p>11869126                      11869127                      11869128                      11869129                      11869130</p> <p>11869121                      11869122                      11869123                      11869124                      11869125</p>
	<p><b>Northfield Primary Handle Set, Exterior</b></p> <p><i>Includes:</i>                      1 - Exterior Handle                      1 - Exterior Escutcheon                      1 - Hardware Gasket                      1 - Z Clip                      1 - Z Clip Screw                      1 - Keyed Cylinder</p>	<p>AF                      SW                      BS                      SN                      ORBZ</p>	<p>11869161                      11869162                      11869163                      11869164                      11869165</p>
	<p><b>Northfield Primary Handle Set, Interior</b></p> <p><i>Includes:</i>                      1 - Interior Handle                      1 - Interior Escutcheon                      1 - Spring Cassette                      1 - Spindle                      1 - Thumb Turn                      2 - M5 x 58 Machine screws</p>	<p>AF                      SW                      BS                      SN                      ORBZ</p>	<p>11869151                      11869152                      11869153                      11869154                      11869155</p>
	<p><b>Northfield Secondary Handle Set, Exterior</b></p> <p><i>Includes:</i>                      1 - Exterior Handle                      1 - Exterior Escutcheon                      1 - Hardware Gasket</p> <p>NOTE: Secondary handle is the opposite handing of the door</p>	<p>AF                      SW                      BS                      SN                      ORBZ</p>	<p>11869181                      11869182                      11869183                      11869184                      11869185</p>

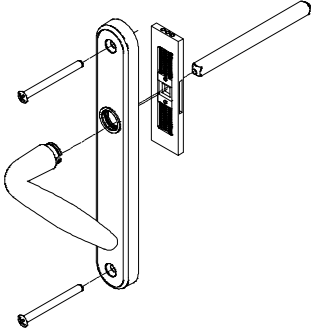

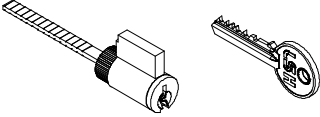
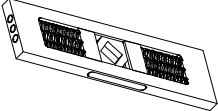

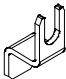


ILLUSTRATION NOT TO SCALE	DESCRIPTION	OPER./COLOR	PART NO.
	<p><b>Northfield Secondary Handle Set, Interior</b> Includes: 1 - Interior Handle 1 - Interior Escutcheon 1 - Spring Cassette 1 - Spindle 2 - M5 x 58 Machine screws</p> <p>NOTE: Secondary handle is the opposite handing of the door</p>	<p>AF WH BS PVD SN PVD ORBZ PVD</p>	<p>11869171 11869172 11869173 11869174 11869175</p>
	<p><b>Hardware Gasket</b></p>		<p>11860969</p>
	<p><b>Keyed Cylinder with Keys</b> NOTE: Schlage cylinder NOTE: For keyed alike cylinders, please contact your Integrity representative. Please supply the original order number if possible.</p>		<p>11860963</p>
	<p><b>Spring Cassette</b></p>		<p>11860960</p>
	<p><b>Escutcheon Plate Screws</b> NOTE: 1-M5 X 58 machine screw</p>	<p>BS (PVD) WH AF SN (PVD) ORBZ (PVD)</p>	<p>11805189 11805188 11805187 11805190 11805191</p>
	<p><b>Z-Clip</b></p>		<p>11860967</p>
	<p><b>Replacement Washers</b></p>		<p>11860964</p>
	<p><b>Split Ring</b></p>		<p>11860966</p>



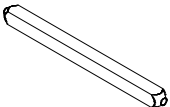
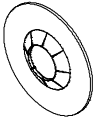
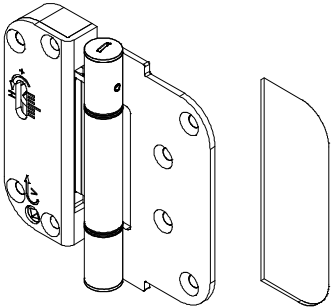
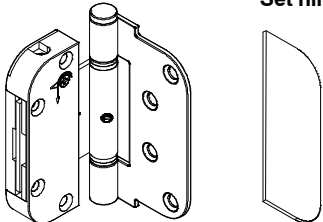
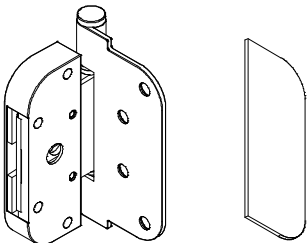
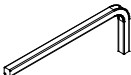
ILLUSTRATION NOT TO SCALE	DESCRIPTION	OPER./COLOR	PART NO.
	<p><b>Spindle</b></p>		<p>11860962</p>
	<p><b>Clip, Thumb Turn</b></p>		<p>11860972</p>
 <p><i>NOTE: Screws are color matched</i></p>	<p><b>Non Handed Hinge Kit</b> <i>NOTE: Usage: 02/22/2010 to present</i> 3 kits for 6/5 and 6/8 heights 4 kits for 7/0 and 8/0 heights <i>Includes:</i> 3 – 8x5/8" screws 4 – 8x1 1/2" screws 1 – 8x2 1/2" screw 1 – Hinge gasket 1 – Hinge</p>	<p>BS (PVD) SN (PVD) PB DKBN WH EG CS EB</p>	<p>11897225 11897224 11897223 11897222 11897228 11897226 11897227 11897229</p>
 <p><b>Set hinge</b></p> <p><i>NOTE: Center hinge(s) with vertical adjustment. Hinges are non-handed and may be set as 'left' or 'right' using pin placement</i></p>	<p><i>Set Hinge</i> <i>USAGE: 3/2007–02/21/2010</i></p> <p><b>Set Hinge Kit</b> 1 kit for 6/5 and 6/8 heights 1 kit for 8/0 heights <i>Includes:</i> 4 – #8 x 1 1/2" Phillips flat head screws (into panel) 3 – #8 x 5/8" Phillips flat head screws (into jamb) 1 – #8 x 2 1/2" Installation screw (into jamb) 1 – Gasket 1 – Hinge</p>	<p>WH PB DKBN EG CS SN Coastal BS Coastal</p>	<p>11896631 11896596 11896595 11896635 11896695 discontinued discontinued</p>
 <p><b>Guide hinge</b></p> <p><i>NOTE: Top or bottom hinge with horizontal adjustment. Hinges are non-handed and may be set as 'left' or 'right' using pin placement</i></p>	<p><i>Guide Hinge</i> <i>USAGE: 3/2007–02/21/2010</i></p> <p><b>Guide Hinge Kit</b> 2 needed for 6/5, 6/8 heights 3 needed for 8/0 heights <i>Includes:</i> 4 – #8 x 1 1/2" Phillips flat head screws (into panel) 3 – #8 x 5/8" Phillips flat head screws (into jamb) 1 – #8 x 2 1/2" Installation screw (into jamb) 1 – Gasket 1 – Hinge</p>	<p>WH PB DKBN EG CS SN Coastal BS Coastal</p>	<p>11896592 11896591 11896590 11896639 11896694 discontinued discontinued</p>
	<p><b>Hinge Adjustment Tool</b></p>		<p>10502561</p>

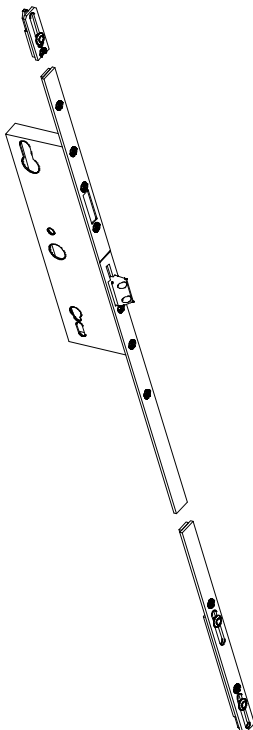
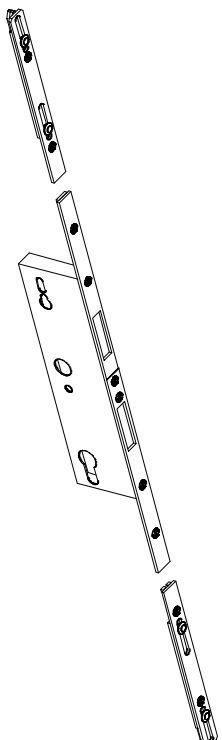
ILLUSTRATION NOT TO SCALE	DESCRIPTION	OPER./COLOR	PART NO.
	<p><b>Active Multi-Point</b> Includes: 1 – Lock assembly with faceplate, deadbolt, latch and shootbolts 11 (13 on 8/0) – #8 x 1 1/2" Phillips flat head screw (SS)</p> <p>CN 6-5 CN 6-8 CN 7-0 CN 8-0</p>	SS	<p>11896553 11896554 11896670 11896555</p>
	<p><b>Special Size Active Multi-Point</b> Includes: 1 – Lock assembly with faceplate, deadbolt, latch and lower shootbolt 1 – Top shootbolt extension 12 – #8 x 1 1/2" Phillips flat head screw (SS)</p>		SS
	<p><b>Inactive Multi-Point</b> Includes: 1 – Lock assembly with faceplate, and shootbolts 11 (13 on 8/0) – #8 x 1 1/2" Phillips flat head screw (SS)</p> <p>CN 6-5 CN 6-8 CN 7-0 CN 8-0</p>	SS	<p>11896556 11896557 11897770 11896558</p>
	<p><b>Special Size Inactive Multi-Point</b> Includes: 1 – Lock assembly with faceplate and lower shootbolt 1 – Top shootbolt extension 12 – #8 x 1 1/2" Phillips flat head screw (SS)</p>		SS

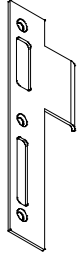

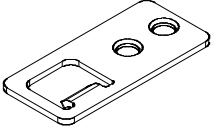
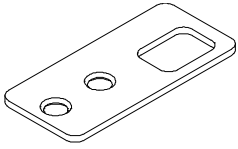
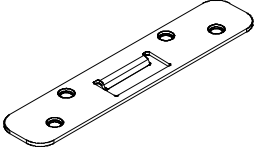
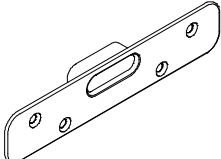
ILLUSTRATION NOT TO SCALE	DESCRIPTION	OPER./COLOR	PART NO.
 <p>NOTE: X-RH shown</p>	<p><b>Strike Plate – Locking Jamb</b> Includes: 1 – Jamb strike plate 2 – #8 x 5/8" flat head screws 1 – #8 x 2 1/2" installation screws</p>	<p>RH LH</p> <p>SS BS SS BS</p>	<p>11896674 11896676 11896675 11896677</p>
 <p>NOTE: LH shown</p>	<p><b>Strike Plate – Secondary Lock</b> Includes: 1 – Strike plate</p> <p>Fastened with: Multipoint lock Torx head screws</p>	<p>RH LH</p> <p>XXL SS BS XXR SS BS</p>	<p>11862525 11862515 11862526 11862516</p>
	<p><b>Head Jamb Strike, X Standard and Impact</b> USAGE: 8/31/2009 – present</p> <p>Includes: 1 – Strike 2 – #8 x 5/8" Phillips flat head screws</p>	<p>RH LH</p> <p>SS SS</p>	<p>11897009 11897007</p>
	<p><b>Head Jamb Strike, X Standard and Impact</b> USAGE: 3/2007–8/30/2009</p> <p>Includes: 1 – Strike 2 – #8 x 5/8" Phillips flat head screws</p>	<p>BS</p>	<p>11896679</p>
	<p><b>Head Jamb Strike, XX</b> USAGE: 8/31/2009 – present</p> <p>Includes: 1 – Strike 2 – #8 x 5/8" Phillips flat head screws 2 – 2 1/2" installation screws</p>	<p>SS</p>	<p>11897011</p>
	<p><b>Head Jamb Strike, XX</b> USAGE: 3/2007–8/30/2009</p> <p>Includes: 1 – Strike 2 – #8 x 5/8" Phillips flat head screws 2 – 2 1/2" installation screws</p>	<p>BS</p>	<p>11896552</p>

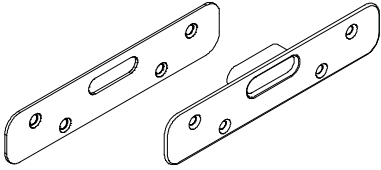
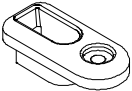
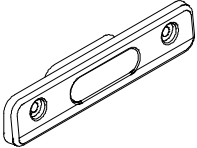
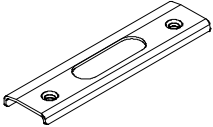
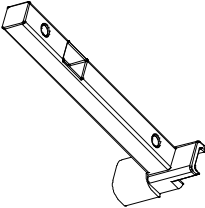
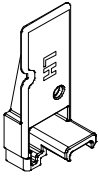
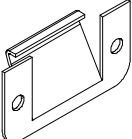
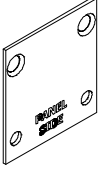
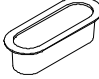
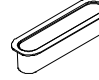
ILLUSTRATION NOT TO SCALE	DESCRIPTION	OPER./COLOR	PART NO.
	<p><b>Header Jamb Strike, – Impact, XX</b>  <i>USAGE: 6/2/2008–8/30/2009</i>  <i>Includes:</i>                      1–Header strike cover                      1–Header Strike                      2 – #8 x 2 1/2 " Installation screws                      1 – #8 x 5/8 " Phillips flat head screw</p>	BG	11896737
	<p><b>Sill Strike, X</b>  <i>Includes:</i>                      1 – Strike                      1 – #8 x 5/8 " Phillips truss head vinyl screw</p>	BG	11896678
	<p><b>Sill Strike, XX</b>  <i>Includes:</i>                      1 – Strike                      2 – #8 x 3/4 " Phillips flat head machine screws (through sill plate)</p>	BG	11896550
	<p><b>Sill Strike Plate, XX</b>  <i>Includes:</i>                      1 – Strike plate                      2 – #8 x 3/4 " Phillips flat head machine screws</p>	SS	11896551
	<p><b>Bottom Shoot Bolt Guide</b>  <i>Includes:</i>                      1 – Guide                      1 – #8 x 2 1/2 " Phillips truss head screw                      1 – #8 x 1 " Phillips truss head screw</p>	RH  LH	11896565  11896566
	<p><b>Top Shoot Bolt Guide</b>  <i>Includes:</i>                      1 – Guide                      1 – #8 x 1 " Phillips pan head screw</p>	RH  LH	11896563  11896564
	<p><b>Stationary Panel Clip</b>  <i>Includes:</i>                      1 – Stationary panel clip                      2 – Rivets</p>	BK	11896680

ILLUSTRATION NOT TO SCALE	DESCRIPTION	OPER./COLOR	PART NO.
	<p><b>Stationary Panel Bracket</b> Includes: 1 – Bracket 2 – #8 x 1" Phillips truss head screws (panel) 2 – #8 x 1/2" Phillips flat head screws (frame)</p>	SS	11896683
	<p><b>Bolt Plug, Locking Jamb</b></p>	BK	11862552
	<p><b>Latch Plug, Locking Jamb</b></p>	BK	11862553

When ordering replacement wood parts specify:

1. Part number;
2. Profile number;
3. Call number or rough opening;
4. Handing;
5. Bare wood or white interior.

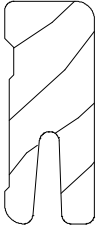
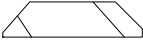
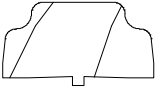
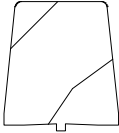
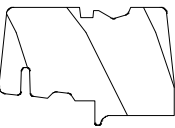
ILLUSTRATION NOT TO SCALE	DESCRIPTION	LENGTH	BARE WOOD PART NO.	WHITE INTERIOR PART NO.			
	<b>Sill Liner</b> W2528	2-6 30 3/16" (767) 2-8 32 3/16" (818) 3-0 36 3/16" (919) 5-0 58 7/8" (1495) 5-4 62 7/8" (1597) 6-0 70 7/8" (1800)	31507727 31507728 31507731 31508350 31518354 31518355	N/A N/A N/A N/A N/A N/A			
	<b>Panel Stop – Head Jamb</b> W9524 <i>Includes:</i> W9524 Panel stop V803 Connector barb V796 Frame weather strip	2-6 28 15/16" (735) 2-8 30 15/16" (786) 3-0 34 15/16" (913) 5-0 57 5/8" (1464) 5-4 61 5/8" (1565) 6-0 69 5/8" (1768)	11896630 11896690 11896671 11896546 11896691 11896547	11896672 11896692 11896673 11896548 11896693 11896549			
		<b>Panel Stop – Jamb</b> W9524 <i>Includes:</i> W9524 Panel stop V803 Connector barb V796 Frame weather strip	6-5 76 15/32" (1942) 6-8 78 31/32" (2006) 7-0 82 31/32" (2107) 8-0 92 15/32" (2425)	11896540 11896541 11896470 11896542	11896543 11896544 11896471 11896545		
				<b>Stationary Jamb Block</b> W8679	6" (152)	31500020	N/A

ILLUSTRATION NOT TO SCALE	DESCRIPTION	LENGTH	BARE WOOD PART NO.	WHITE INTERIOR PART NO.
	<p><b>Interior Astragal Cover 6-8 and under</b> W7554</p> <p><i>Includes:</i> 1 - Astragal cover 2 - #8 x 1 1/4 " Phillips bugle head screws</p>			
	<p><b>Interior Astragal Cover Greater than 6-8</b> W9608</p> <p><i>Includes:</i> 1 - Astragal cover 2 - #8 x 1 1/4 " Phillips bugle head screws</p>			
	<p><b>Interior Astragal Base</b> W9609</p> <p><i>Includes:</i> 1 - Astragal base 2 - #8 x 2 " Phillips flat head screws</p>			

When ordering Integrity Outswing Door weather strip specify:

1. Part number;
2. Description;
3. Length;
4. Quantity.

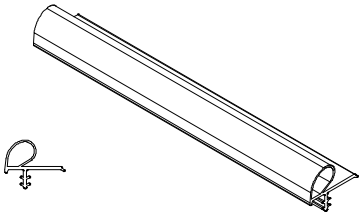
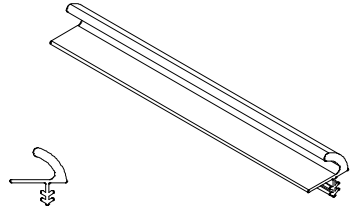
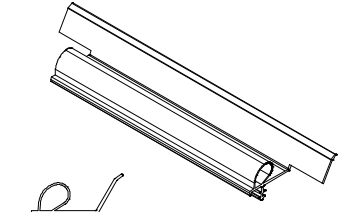
ILLUSTRATION NOT TO SCALE	DESCRIPTION	LENGTH/ COLOR	PART NO.		
	<b>Frame Weather Strip – Head Jamb</b> V796	2–6 28 15/16" (735) 2–8 30 15/16" (786) 3–0 34 15/16" (887) 5–0 57 5/8" (1464) 5–4 61 5/8" (1565) 6–0 69 5/8" (1768)	15978926 15978928 15978930 15978950 15978954 15978960		
	<b>Frame Weather Strip – Jamb</b> V796	6–5 76 15/32" (1942) 6–8 78 31/32" (2006) 7–0 82 31/32" (2107) 8–0 92 15/32" (2349)	15978965 15978968 15978970 15978980		
	<b>Frame Weather Strip</b> V796 Lineal	150" (3810)	15978150		
		<b>Jamb/Head Jamb Weather Strip</b> V019 <i>NOTE: Exterior astragal only</i>	6–5 77 23/32" (1974) 6–8 80 7/32" (2038) 7–0 84 7/32" (2139) 8–0 93 23/32" (2380)	15971565 15971568 15971570 15971580	
		<b>Sill Weather Strip</b> V776	2–6 28 21/32" (728) 2–8 30 21/32" (778) 3–0 34 21/32" (880) 5–0 57 11/32" (1456) 5–4 31 11/32" (796) 6–0 69 11/32" (1761)	15979126 15979128 15979130 15979150 15979154 15979160	
			<b>Astragal Weather Strip – Interior</b> V1560	6–5 77 5/16" (1964) 6–8 79 13/16" (2027) 7–0 83 13/16" (2129) 8–0 93 5/16" (2370)	15971665 15971668 15971670 15971680



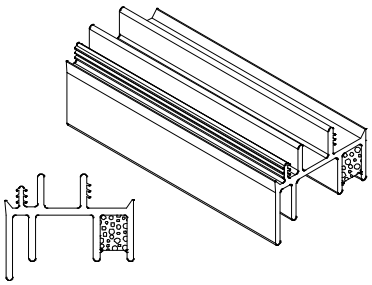
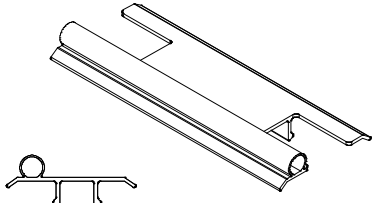
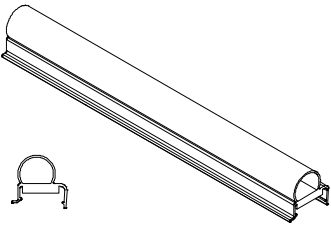
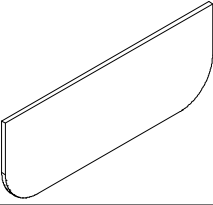
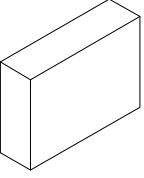
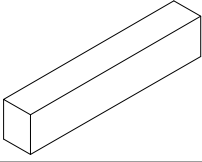
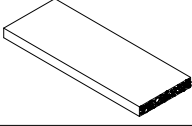
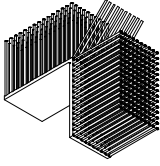
ILLUSTRATION NOT TO SCALE	DESCRIPTION	LENGTH/ COLOR	PART NO.
	<p><b>Sweep – Operator Panel</b> V1547</p> <p><i>Includes:</i> 1 – Sweep 2 – #8 x 2 1/2 " Phillips truss head screws 2 – #8 x 1 1/4 " Phillips truss head screws</p>	<p>2-6/5-0      28 19/32" (726) 3-0/6-0      34 19/32" (879)</p>	<p>11896561 11896562</p>
	<p><b>Sweep – Stationary</b> V1547</p> <p><i>Includes:</i> 1 – Sweep 2 – #8 x 2 1/2 " Phillips truss head screws</p>	<p>2-6/5-0      28 19/32" (726) 2-8/5-4      30 19/32" (777) 3-0/6-0      34 19/32" (879)</p>	<p>11896681 11896952 11896682</p>
	<p><b>Panel Stile Weather Strip</b> V1550</p> <p><i>NOTE: Includes weather strip between hinges and at panel ends (actual lengths vary).</i></p>	<p>6-5 6-8 7-0 8-0</p>	<p>11896684 11896685 11898870 11896686</p>
	<p><b>Panel Top Rail Weather Strip</b> V1550</p>	<p>2-6      28 19/32" (726) 2-8      30 19/32" (777) 3-0      34 19/32" (879)</p>	<p>15970226 15970228 15970230</p>
	<p><b>Panel Locking Stile Weather Strip</b> V1556</p>	<p>6-5      76 23/32" (1949) 6-8      79 7/32" (2012) 7-0      83 7/32" (2114) 8-0      92 23/32" (2355)</p>	<p>15972765 15972768 15972770 15972780</p>

ILLUSTRATION NOT TO SCALE	DESCRIPTION	LENGTH/ COLOR	PART NO.
	<b>Hinge Gasket</b>	BG	11705150
	<b>Jamb/Sill Plug</b>	BG	10500136
	<b>Jamb Weather Strip Plug</b>	BG	10500154
	<b>Frame Sealant Foam</b>	GY	10500142
	<b>Dust Block</b>		15600010

When ordering Integrity Outswing Door Parts specify:

1. Part number;
2. Description;
3. Length;
4. Quantity.

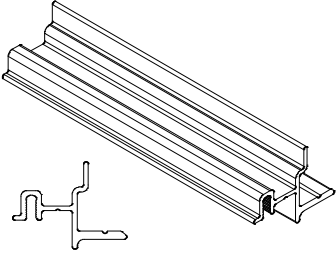
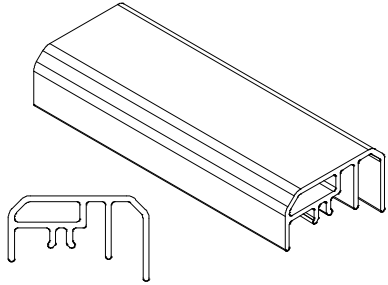
ILLUSTRATION NOT TO SCALE	DESCRIPTION	LENGTH/ COLOR	PART NO.
	<p><b>Astragal Base - Exterior</b> A1432</p> <p><i>Includes:</i> 1 - Astragal base 9 - #8 x 5/8" Phillips pan head screws</p>		
	6-5	75 7/16" (1916)	11896567
	6-8	77 15/16" (1980)	11896568
	7-0	81 15/16" (2081)	11895570
	8-0	91 7/16" (2323)	11896569
	<p><b>Astragal Cap - Exterior</b> A1431</p> <p><i>Includes:</i> 1 - Astragal cap 8 - #8 x 5/8" Phillips pan head screws</p>		
		<b>SW</b>	
	6-5	77 23/32" (1974)	11896570
	6-8	80 7/32" (2038)	11896571
	7-0	84 7/32" (2139)	11892470
	8-0	93 23/32" (2380)	11896572
		<b>PB</b>	
	6-5	77 23/32" (1974)	11896573
	6-8	80 7/32" (2038)	11896574
	7-0	84 7/32" (2139)	11893470
	8-0	93 23/32" (2380)	11896575
		<b>BZ</b>	
	6-5	77 23/32" (1974)	11896687
	6-8	80 7/32" (2038)	11896688
	7-0	84 7/32" (2139)	11894470
	8-0	93 23/32" (2380)	11896689
		<b>EG</b>	
	6-5	77 23/32" (1974)	11896953
	6-8	80 7/32" (2038)	11896954
	7-0	84 7/32" (2139)	11895470
	8-0	93 23/32" (2380)	11896955
		<b>CS</b>	
	6-5	77 23/32" (1974)	11896956
	6-8	80 7/32" (2038)	11896957
	7-0	84 7/32" (2139)	11897470
	8-0	93 23/32" (2380)	11896958
		<b>EB</b>	
	6-5	77 23/32" (1974)	11897251
6-8	80 7/32" (2038)	11897252	
7-0	84 7/32" (2139)	11898470	
8-0	93 23/32" (2380)	11897253	

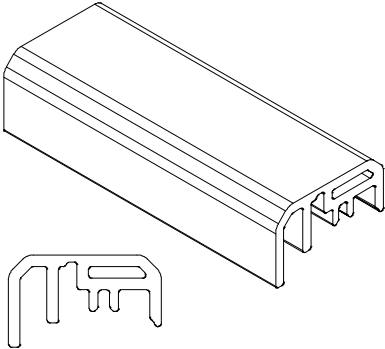
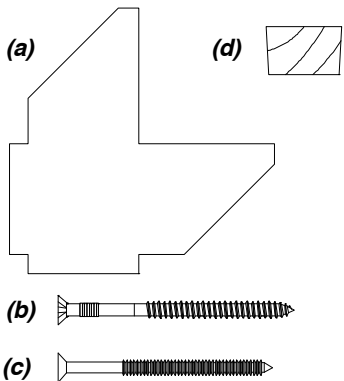
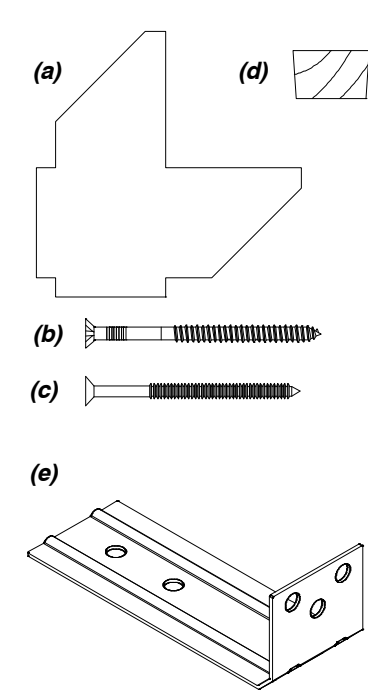

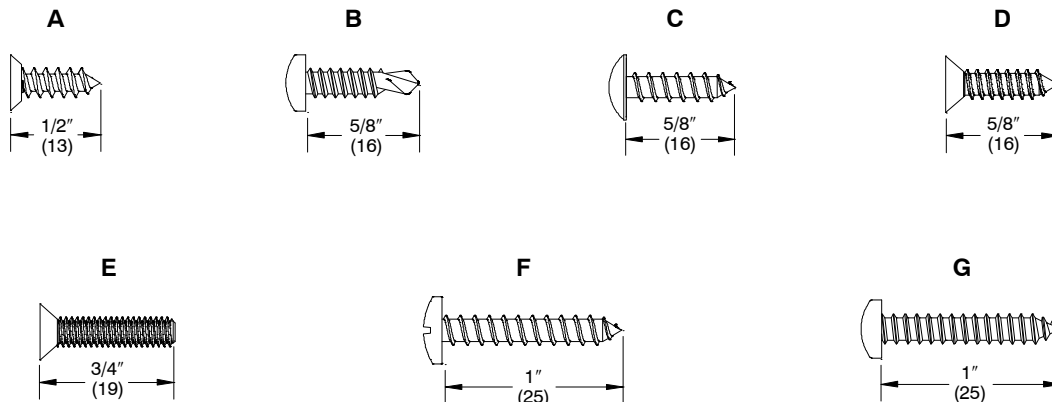
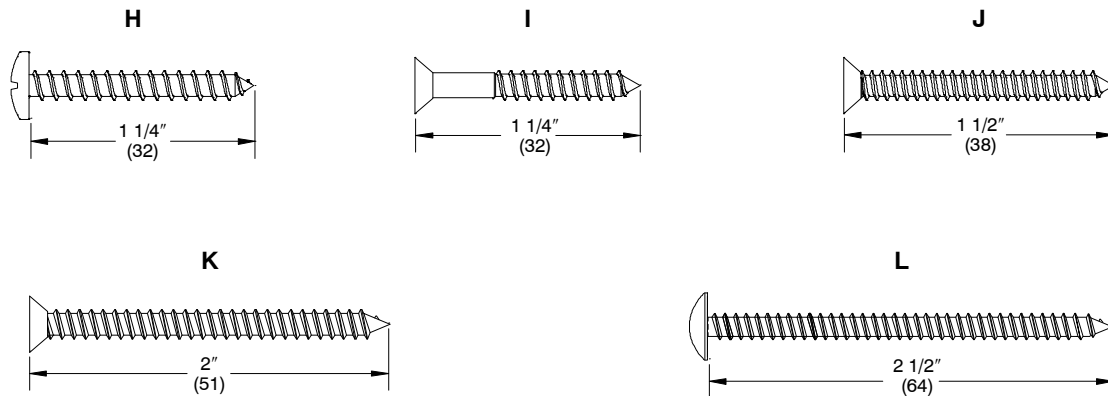
ILLUSTRATION NOT TO SCALE	DESCRIPTION	LENGTH/ COLOR	PART NO.
	<p><b>Astragal Cap – Impact, Exterior</b> A1464</p> <p><i>Includes:</i> 1 – Cap 8 – #8 x 5/8" Phillips panhead screws</p>		
	<p><b>SW</b></p> <p>6-5</p> <p>6-8</p> <p>7-0</p> <p>8-0</p>	<p>77 23/32" (1974)</p> <p>80 7/32" (2038)</p> <p>84 7/32" (2139)</p> <p>93 23/32" (2380)</p>	<p>19455466</p> <p>19455469</p> <p>11897671</p> <p>19455481</p>
	<p><b>PB</b></p> <p>6-5</p> <p>6-8</p> <p>7-0</p> <p>8-0</p>	<p>77 23/32" (1974)</p> <p>80 7/32" (2038)</p> <p>84 7/32" (2139)</p> <p>93 23/32" (2380)</p>	<p>19455566</p> <p>19455569</p> <p>11897672</p> <p>19455581</p>
	<p><b>BZ</b></p> <p>6-5</p> <p>6-8</p> <p>7-0</p> <p>8-0</p>	<p>77 23/32" (1974)</p> <p>80 7/32" (2038)</p> <p>84 7/32" (2139)</p> <p>93 23/32" (2380)</p>	<p>19455666</p> <p>19455669</p> <p>11897673</p> <p>19455681</p>
	<p><b>EG</b></p> <p>6-5</p> <p>6-8</p> <p>7-0</p> <p>8-0</p>	<p>77 23/32" (1974)</p> <p>80 7/32" (2038)</p> <p>84 7/32" (2139)</p> <p>93 23/32" (2380)</p>	<p>19455766</p> <p>19455769</p> <p>11897674</p> <p>19455781</p>
	<p><b>CS</b></p> <p>6-5</p> <p>6-8</p> <p>7-0</p> <p>8-0</p>	<p>77 23/32" (1974)</p> <p>80 7/32" (2038)</p> <p>84 7/32" (2139)</p> <p>93 23/32" (2380)</p>	<p>19455866</p> <p>19455869</p> <p>11897675</p> <p>19455881</p>
	<p><b>EB</b></p> <p>6-5</p> <p>6-8</p> <p>7-0</p> <p>8-0</p>	<p>77 23/32" (1974)</p> <p>80 7/32" (2038)</p> <p>84 7/32" (2139)</p> <p>93 23/32" (2380)</p>	<p>11897251</p> <p>11897252</p> <p>11897677</p> <p>11897253</p>

ILLUSTRATION NOT TO SCALE	DESCRIPTION	LENGTH/ COLOR	PART NO.
	<p><b>Installation Kits</b></p> <p><i>Includes:</i></p> <ul style="list-style-type: none"> <li>1 – Nailling fin corner gasket (a)</li> <li>1 – 3/16 " flat head masonry screw (b)</li> <li>1 – #8 x 2 1/2 " flat head SS screw (c)</li> <li>1 – #8 x 2 1/2 " flat head BS screw (c)</li> <li>2 – #8 x 2 1/2 " flat head BG screws (c)</li> <li>1 – Wood plug (d)</li> <li>1 – Set of installation instructions</li> </ul>		11896597
	<p><b>IOFD Impact Nailing Fin Installation Kit</b></p> <p><i>Includes:</i></p> <ul style="list-style-type: none"> <li>1–Nail fin corner gasket (a)</li> <li>1–3/16 " x 2 3/4 " flat head masonry screw (b)</li> <li>1 – #8 x 2 1/2 " flat head SS screw (c)</li> <li>1 – #8 x 2 1/2 " flat head BS screw (c)</li> <li>2 – #8 x 2 1/2 " flat head BG screws (c)</li> <li>1–Wood plug (d)</li> <li>17–IOFD Installation clip (e)</li> <li>51–Installation clip screws – pn 11800758</li> <li>1–set of installation instructions</li> <li>1–Supplemental Installation Instruction</li> </ul>		11896808
	<p><b>IOFD Impact Nailing Fin Installation Kit</b></p> <p><i>Includes:</i></p> <ul style="list-style-type: none"> <li>1– clip</li> </ul>		11896810
	<p><b>IOFD Impact Nailing Fin Installation Kit</b></p> <p><i>Includes:</i></p> <ul style="list-style-type: none"> <li>20–clips</li> </ul>		11896809
	<p><b>Hinge Screw Packages</b></p> <p><i>Includes:</i></p> <ul style="list-style-type: none"> <li>25 – #8 x 2 1/2 " Flat head screws</li> </ul> <p><i>NOTE: This screw package is also used on Impact products.</i></p>	<p>SW DKBN BS PB SN EG CS EB</p>	<p>11882703 11882704 11882705 11882706 11882707 11882708 11882709 11882740</p>



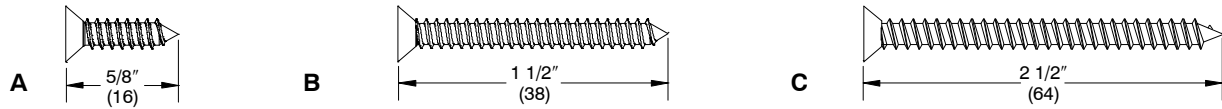
Illustrations to Scale

PART ID	DESCRIPTION AND USAGE	COLOR	PART NO.
A	<b>#8 x 1/2" Phillips Flat Head Screw</b> <b>Usage:</b> • Through stationary panel bracket into jamb	ZC	11800502
B	<b>#8 x 5/8" Phillips Pan Head Screw, Self-drilling/Tapping</b> <b>Usage:</b> • Through exterior astragal base into panel • Through astragal base into astragal cap	SS	11800498
C	<b>#8 x 5/8" Phillips Truss Head Screw</b> <b>Usage:</b> • Through X sill strike	BG	11805193
D	<b>#8 x 5/8" Phillips Flat Head Screw</b> <b>Usage:</b> • Head jamb strike to head jamb • Hinges to jamb • Locking jamb strike plate to jamb	SS BG BS SW DKBN PB EG CS EB	11805180 11805152 11805153 11805155 11805156 11805157 11805149 11805146 11805144
E	<b>#8 x 3/4" Phillips Flat Head Machine Screw</b> <b>Usage:</b> • Through sill strike plate and sill strike (XX)	SS	02052281
F	<b>#8 x 1" Phillips Pan Head Screw</b> <b>Usage:</b> • Through top and bottom shootbolt guides	SS	11805185
G	<b>#8 x 1" Phillips Truss Head Screw</b> <b>Usage:</b> • Through stationary panel brackets into panel	ZYD	11800867



Illustrations to Scale

PART ID	DESCRIPTION AND USAGE	COLOR	PART NO.
H	<b>#8 x 1 1/4" Phillips Truss Head Screw</b> <b>Usage:</b> • Through sweep into panel	SS	11805193
I	<b>#8 x 1 1/4" Phillips Flat Head 2/3 Thread Screw</b> <b>Usage:</b> • Astragal cap to astragal base	ZYD	11805179
J	<b>#8 x 1 1/2" Phillips Flat Head Screw</b> <b>Usage:</b> • Hinge to panel • Multipoint lock to panel (SS only)	BS WH DKBN PB SS EG CS EB	11805171 11805169 11805170 11805174 11805173 11805177 11805182 11805140
K	<b>#8 x 2" Phillips Flat Head Screw</b> <b>Usage:</b> • Through astragal base into panel	ZYD	11800868
L	<b>#8 x 2 1/2" Phillips Truss Head Screw</b> <b>Usage:</b> • Through sweep into panel • Through bottom shoot bolt guide into panel	SS	11805151



Color matched screws used with door hinge kits

PART ID	DESCRIPTION AND USAGE	COLOR	PART NO.
A	<b>#8 x 5/8" Phillips Flat Head 2/3 Thread Screw – PKG 25</b> <b>Usage:</b> • Hinge	WH BZ BS SN PB EG CS EB	11882723 11882724 11882725 11882726 11882727 11882728 11882729 11882730
B	<b>#8 x 1 1/2" Phillips Flat Head Screw – PKG 25</b> <b>Usage:</b> • Hinge	WH BZ BS SN PB EG CS EB	11882713 11882714 11882715 11882716 11882717 11882718 11882719 11882750
C	<b>#8 x 2 1/2" Phillips Flat Head Screw – PKG 25</b> <b>Usage:</b> • Hinge	WH BZ BS SN PB EG CS EB	11882703 11882704 11882705 11882706 11882707 11882708 11882709 11882740



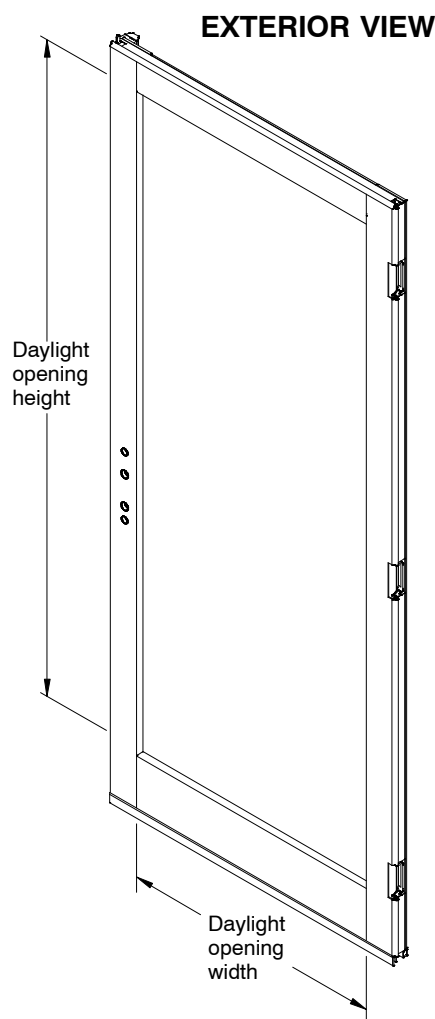
**ORDERING REPLACEMENT OUTSWING FRENCH DOOR PANELS (OFD)**

To order replacement panels specify:

1. Size;
2. Operator (primary or secondary) or stationary;
3. Handing;
4. Stone White, Pebble Gray, Bronze, Evergreen, Cashmere or Ebony exterior;
5. Glazing;
6. Bare wood or white interior.

Panel Sizes for Outswing French Door (OFD) Units Manufactured 2007 to present			
Daylight Opening to Panel OM			
Daylight Width + 7 1/4" (181) = OM Width of Panel			
Daylight Height + 9 5/8" (244) = OM Height of Panel			
NOTE: Daylight opening is the measurement of visible glass.			
WIDTH		HEIGHT	
Size	OM Width	Size	OM Height
2-6	28 19/32" (726)	6-5	76 23/32" (1949)
2-8	30 19/32" (777)	6-8	79 7/32" (2012)
3-0	34 19/32" (879)	7-0	83 7/32" (2114)
5-0	28 19/32" (726)	8-0	92 23/32" (2355)
5-4	30 19/32" (777)		
6-0	34 19/32" (879)		

(Operator Panel Shown)



**Panels Include:**

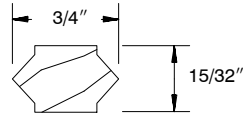
**Operating:** Lock, Sweep w/gasket, Wood Backers, Weather Strip, Shoot Bolt Guides and Astragal.

**Stationary:** Sweep w/gasket, Stationary Bracket, Stile Weather Strip and Eurogroove Block.

## ORDERING REPLACEMENT GRILLES

When ordering replacement grilles specify:

1. Call number (using chart below).
2. Interior finish or bare



W7340

GRILLE END PROFILE

WIDTH				HEIGHT			
CN	PANEL OM	DLO	GRILLE CUT	CN	PANEL OM	DLO	GRILLE CUT
CN2-6	28 19/32" (726)	21 11/32" (542)	3W	CN6-5	76 23/32" (1949)	67 3/32" (1704)	5H
CN2-8	30 19/32" (777)	23 11/32" (593)	3W	CN6-8	79 7/32" (2012)	69 19/32" (1768)	5H
CN3-0	34 19/32" (879)	27 11/32" (695)	3W	CN7-0	83 7/32" (2114)	73 19/32" (1869)	5H
CN5-0	28 19/32" (726)	21 11/32" (542)	3W	CN8-0	92 23/32" (2355)	83 3/32" (2111)	6H
CN5-4	30 19/32" (777)	23 11/32" (593)	3W	-	-	-	-
CN6-0	34 19/32" (879)	27 11/32" (695)	3W				

**Head Jamb Strike X Configuration- Units produced prior to 08/30/2009**

**You Will Need To Supply**

Safety glasses  
Rotary tool

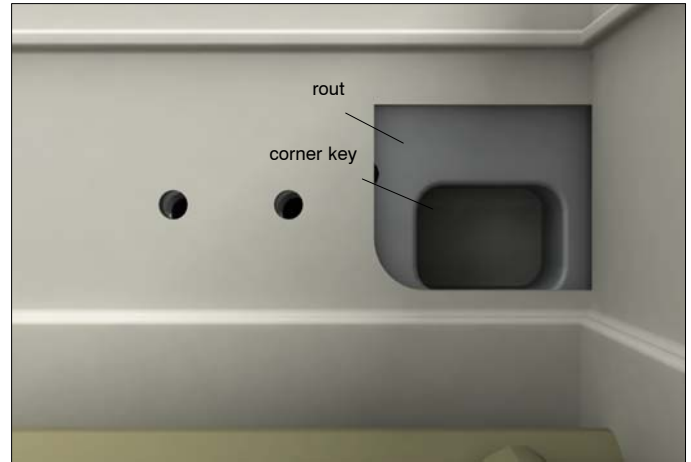
Pencil  
Phillips screwdriver

1. Current strike plate configuration



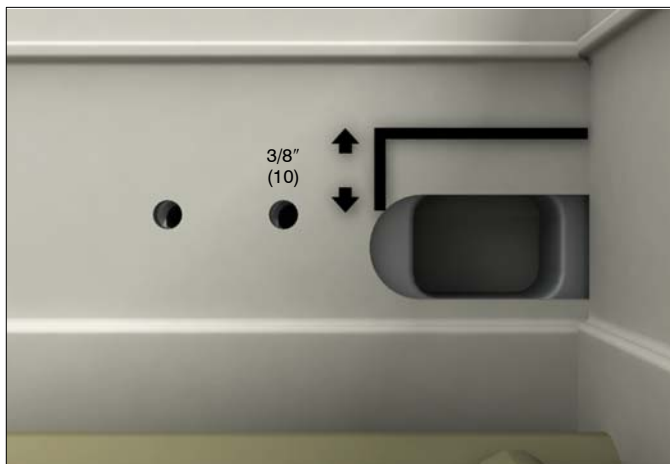
3. Rout marked area with a rotary or other tool to the depth of the Ultrex.

*NOTE: Use caution when routing to avoid damaging the corner key.*



2. Remove the strike plate. Mark area with pencil as indicated.

4. Install new strike plate.



**Head Jamb Strike XX Configuration- Units produced prior to 08/30/2009**

**You Will Need To Supply**

Safety glasses  
Rotary tool

Pencil  
Phillips screwdriver

1. Current strike plate configuration

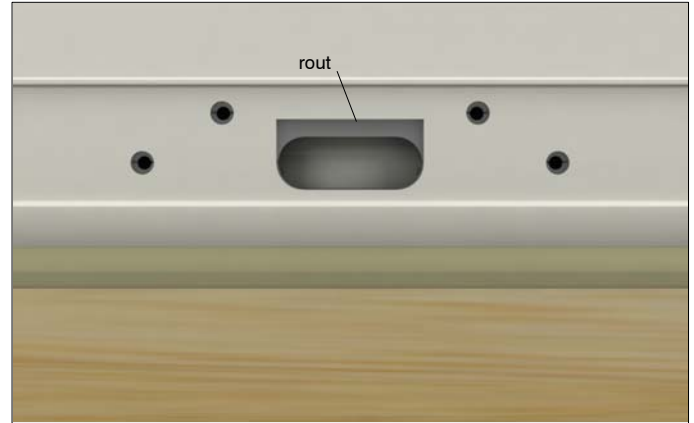


2. Remove the strike plate. Mark area with pencil as indicated.



3. Rout marked area with a rotary or other tool to the depth of the Ultrex.

*NOTE: Use caution when routing to avoid damage to the aluminum backer behind the Ultrex*



4. Install new strike plate.



**The instructions for Field Applied/Non-Handed Hinge Replacement  
Integrity Inswing/Outswing French Door manufactured 2-22-2010 to present  
are located in the Inswing French Door Chapter.**