

# INTEGRITY ROUND TOP/POLYGON

## Table of Contents

	<b>PAGE</b>
History .....	2
Part Identification – Casement Polygon Stand Alone .....	4
Part Identification – Double Hung, Glider, Patio Door Polygon Stand Alone .....	5
Part Identification – Casement Round Top Stand Alone .....	6
Part Identification – Double Hung Round Top Stand Alone .....	7
Part Identification – Sliding Patio Door/Inswing French Door Round Top .....	8
<b>Parts</b>	
Miscellaneous .....	9
Wood Parts .....	10
Round Top Grilles .....	12
Round Top Glass Replacement Shapes .....	13
SDL Spacer Bar – Open Hub .....	14
RT 1 – Casement and Double Hung One Lite and GBG – LoE <sup>2</sup> 272 <sup>®</sup> .....	15
RT 1 – Casement and Double Hung One Lite and GBG – LoE <sup>3</sup> 366 <sup>®</sup> .....	17
RT 1 – Casement and Double Hung One Lite and GBG – LoE 180 <sup>™</sup> .....	19
RT 7, RT 8 RT 29 – Casement Awning, Door One Lite and GBG – LoE <sup>2</sup> 272 <sup>®</sup> .....	21
RT 7, RT 8 RT 29 – Casement Awning, Door One Lite and GBG – LoE <sup>3</sup> 366 <sup>®</sup> .....	22
RT 7, RT 8 RT 29 – Casement Awning, Door One Lite and GBG – LoE 180 <sup>™</sup> .....	23
Polygon Glass Shapes .....	24
Polygon Glass Replacement LoE <sup>2</sup> 272 <sup>®</sup> .....	25
Polygon Glass Replacement LoE <sup>3</sup> 366 <sup>®</sup> .....	28
Polygon Glass Replacement LoE 180 <sup>™</sup> .....	31
<b>Obsolete Parts</b>	
3/1/04 Door Resizing – Wood .....	34
3/1/04 Door Resizing – Glass .....	35
<b>Service</b>	
Reglazing Round Top Direct Glaze Sash .....	36
Reglazing Polygon Direct Glaze Sash .....	40
Round Top Field Applied Jamb Extension–Mulled Units .....	44
Field Applied Jamb Extension Polygon/Round Top .....	45

### **ATTENTION:**

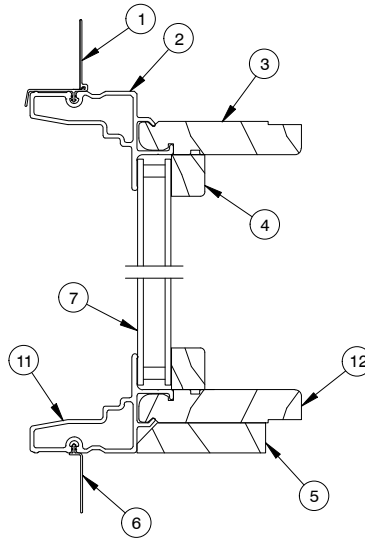
- Specification and technical data are subject to change without notice.
- Numbers listed in parentheses ( ) are metric equivalents in millimeters rounded to the nearest whole number.

PRODUCED	UNIT TYPE	FEATURES OR CHANGES	DISCONTINUED
July 1995	Round Top	Unit features direct glazed 3/4" Low E II glass with Argon, 4 9/16" jambs.  Fiberglass exterior available in white or pebble gray and W1366 wood interior trim.	Present  Arctic White – Feb. 2002
October 1995	Round Top	Additional sizes introduced for Casement, Awning and Double Hung.	Present
October 1996	Round Top	5 5/16" and 6 13/16" jamb extension available for field application.	December 2000
May 1997	Round Top	Introduced IRT-7336 unit for the Integrity Patio Door (6068), available for field mulling.	Present
September 1997	Round Top	Introduced white grilles-between-the-glass (GBG) simulated divided lite option. Plastic hub (white) is used for Round Top units.	Present
September 1997	Direct Glaze Transoms	Unit features direct glazed 3/4" Low E II glass with Argon, 4 9/16" jambs, pultruded fiberglass (Ultrax) exterior available in white or pebble gray, available in CN ICADG-7316 for the Casement 3-wide unit (ICA25-3w) and IPDDG-7316 for the Integrity Patio Door (6068). The IPDDG-7316 is available factory or field mullered to the Integrity Patio Door. White grilles-between-the-glass (GBG) simulated divided lite option is available for IPDDG 7316 and ISDDG 3716.	Present
October 1997	Round Top	Introduced an elliptical shape for the Integrity Patio Door (6068) and Casement 3-wide unit (ICA25-3w) available factory or field mullered.	Present
May 1998	Round Top	Eliminated the sill fiberglass nailing flange (replaced with vinyl flange).	Present
March 1999	Polygons	Unit features direct glazed 3/4" Low E II glass with Argon, 4 9/16" jambs, Pultruded fiberglass (Ultrax) exterior available in white or pebble gray. Units are available for Integrity Casement/Awning, Glider, Double Hung and Patio door products.	Present
November 1999	Polygons	V119 nailing fin (with drip cap) changed to V104 nailing fin (with drip cap removed) on all polygons except rectangular shapes.	Present
April 2000	Direct Glaze Rectangles	Introduced white grilles-between-the-glass (GBG) simulated divided lite option. Cuts limited to equal sized rectangular lites and a minimum 4-1/2" daylight opening.	Present
April 2000	Direct Glaze Rectangles	Added a 4 wide and 2 wide 2 high mulling option available factory mullered.	Present
December 2000	Round Top/ Polygon	6 13/16" jamb extension available factory applied. 5 5/16" jamb extension no longer available.	Present
March 2001	Round Top/ Polygon	Added white interior finish.	Present
February 2002	Round Top/ Polygon	Stone White replacing Arctic White as a standard color effective Feb. 4. Arctic White replacement parts available through the warranty period.	Present
March 2004	Round Top/ Polygon	Pebble exterior / White interior GBGs available 3/1/04. Standard 6-0 door width changed from 73 opening to 72 opening. 3616 and 7216 sizes added for Polygons. Standard 6-0 door width changed from 73 opening to 72 opening. 3616 and 7216 sizes added for Polygons. 36-2W and 7218 elliptical added for Round Tops effective 3/1/04.	Present
January 2005	Polygon/ Direct Glaze Transoms	Added IIFDDG 108 and ISFD/ISPDDG 107 widths to be mullered over three-wide doors.	Present
July 2006	Polygon/ Direct Glaze Transoms	SDL offered on all Wood/Ultrax Series windows and doors. 7/8" wide bars with Ultrax exterior and wood interior. See Product Bulletin 66 for more details.	Present
September 2006	Polygon/ Direct Glaze Transoms	Prairie SDL and GBG Lite cuts made available for the Wood/Ultrax Series windows and doors. See Product Bulletin 70 for more details.	Present

PRODUCED	UNIT TYPE	FEATURES OR CHANGES	DISCONTINUED
March 2007	Polygon/ Direct Glaze Transoms	Bronze exteriors introduced.	Present
November 2007	Polygon/ Direct Glaze Transoms	Evergreen exteriors introduced.	Present
March 2008	Polygon/ Direct Glaze Transoms	Cashmere exteriors introduced March 17, 2008.	Present
July 2008	Polygon/ Direct Glaze Transoms	Cottage SDL lite cut made available for Wood-Ultrex. Refer to product bulletin #99.	Present
January 2009	Round Top	Added GBG open hub option for existing sizes.	Present
April 2010	Polygon/ Direct Glaze	Introduced tempered obscure glass.	Present
June 2010	Polygon/ Direct Glaze	Introduced the SDL Spacer Bar Glass option on LoE <sup>3</sup> 366 <sup>®</sup>	Present
April 2011	Polygon/ Direct Glaze Transoms	LoE 180 <sup>™</sup> glass option introduced.	Present
April 2012	Polygon/ Direct Glaze Round Top	Introduced the SDL Spacer Bar glass option on LoE <sup>2</sup> 272 <sup>®</sup> and LoE 180.	Present
April 2012	Polygon	Simulated Checkrail Bar option introduced.	Present
August 2012	Polygon/ Direct Glaze Round Top	August 27, 2012: Ebony exteriors for Wood-Ultrex introduced.	Present
February 2013	Polygon Direct Glaze	February 25, 2013: Introduced Tripane glass option utilizing a Casement frame.	Present
August 2014	Polygon Direct Glaze	August 25, 2014: Introduced bronze as a standard interior GBG color option for all Wood-Ultrex products that currently get GBG. Available in all lite cut patterns currently offered in standard and special sizes.	Present

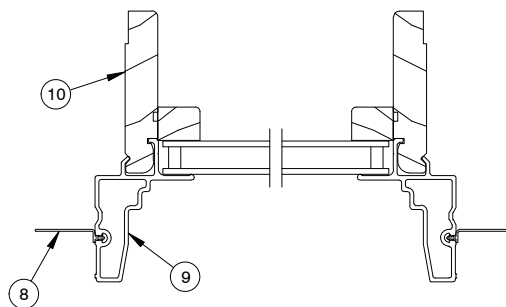
**CASEMENT POLYGON**

**HEAD JAMB  
& SILL DETAIL**



NOTE: Stand alone version shown, see Integrity ADM for mullion details

**JAMB  
DETAIL**

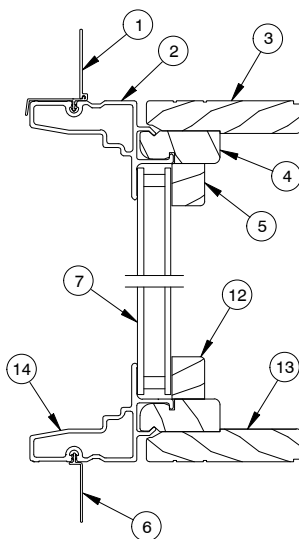


NOTE: Not to scale; specifications subject to change without notice.

- |                         |                     |
|-------------------------|---------------------|
| 1. Nailing Fin/Drip Cap | 7. Insulating Glass |
| 2. Head Jamb (Ultrex)   | 8. Jamb Nailing Fin |
| 3. Head Jamb            | 9. Jamb (Ultrex)    |
| 4. Glazing Bead         | 10. Jamb            |
| 5. Standing Block       | 11. Sill (Ultrex)   |
| 6. Sill Nailing Fin     | 12. Sill            |

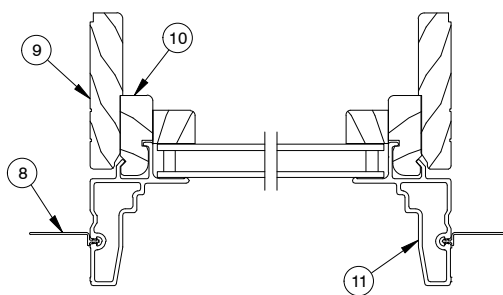
**DOUBLE HUNG, GLIDER AND PATIO DOOR POLYGON**

**HEAD JAMB  
& SILL DETAIL**



NOTE: Stand alone version shown, see Integrity ADM for mullion details

**JAMB  
DETAIL**



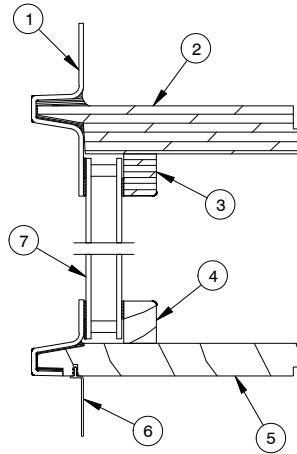
NOTE: Not to scale; specifications subject to change without notice.

- 1. Nailing Fin/Drip Cap
- 2. Head Jamb (Ultrax)
- 3. Secondary Head Jamb
- 4. Primary Head Jamb
- 5. Glazing Bead
- 6. Sill Nailing Fin

- 7. Insulating Glass
- 8. Jamb Nailing Fin
- 9. Secondary Jamb
- 10. Primary Jamb
- 11. Jamb (Ultrax)
- 12. Primary Sill
- 13. Secondary Sill

**CASEMENT ROUND TOP**

**HEAD JAMB  
& SILL DETAIL**



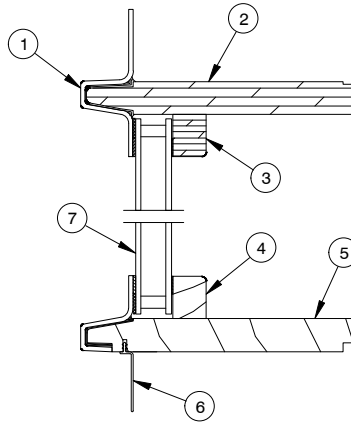
NOTE: Stand alone version shown, see Integrity ADM for mullion details

NOTE: Not to scale; specifications subject to change without notice.

1. Fiberglass Exterior
2. Laminated Frame
3. Laminated Glazing Bead
4. Glazing Bead
5. Sill
6. Sill Nailing Fin
7. Insulating Glass

**DOUBLE HUNG ROUND TOP**

**HEAD JAMB  
& SILL DETAIL**



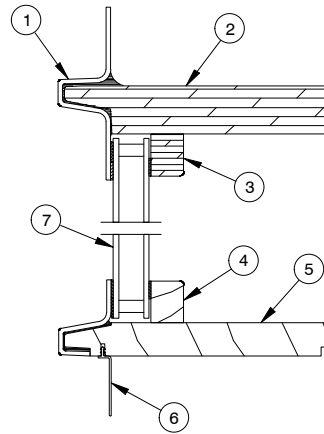
NOTE: Stand alone version shown, see Integrity ADM for mullion details

NOTE: Not to scale; specifications subject to change without notice.

1. Fiberglass Exterior
2. Laminated Frame
3. Laminated Glazing Bead
4. Glazing Bead
5. Sill
6. Sill Nailing Fin
7. Insulating Glass

**SLIDING PATIO DOOR/INSWING FRENCH DOOR ROUND TOP**

**HEAD JAMB  
& SILL DETAIL**



NOTE: Stand alone version shown, see Integrity ADM for mullion details

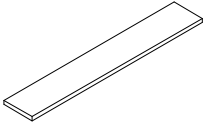
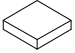
NOTE: Not to scale; specifications subject to change without notice.

1. Fiberglass Exterior
2. Laminated Frame
3. Laminated Glazing Bead
4. Glazing Bead
5. Sill
6. Sill Nailing Fin
7. Insulating Glass



When ordering replacement Integrity Round Top parts specify:

1. Description;
2. Profile;
3. Call number;
4. Part number
5. Bare wood or white interior.

<b>ILLUSTRATION</b> <i>NOT TO SCALE</i>	<b>DESCRIPTION</b>	<b>CALL NUMBER</b>	<b>PART NO.</b>
	<b>Glazing Tape</b>	96" (2438) 100' (30 meters)	11406227 11406226
	<b>Silicone Bump-On</b>		10500208

When ordering replacement Integrity Round Top parts specify:

1. Description;
2. Profile;
3. Call number;
4. Part number
5. Bare wood or white interior.

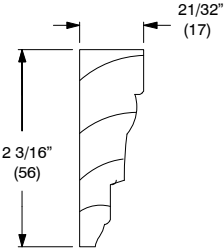
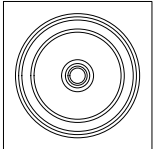
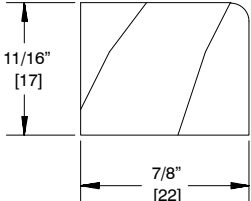
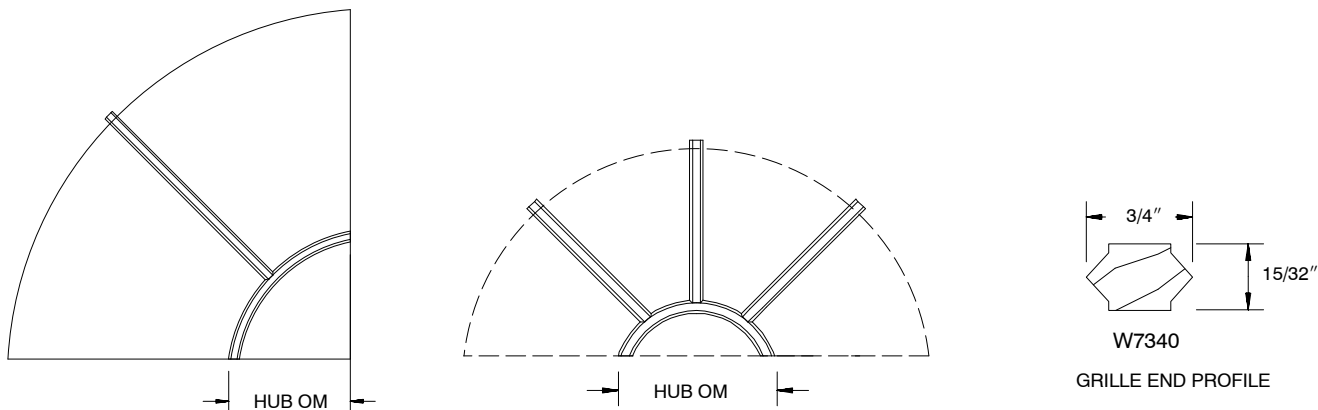
ILLUSTRATION <i>NOT TO SCALE</i>	DESCRIPTION	CALL NUMBER	BARE WOOD PART NO.	WHITE INTERIOR PART NO.
	<p><b>Interior Trim*</b> W1366</p> <p style="text-align: right;">Lineal</p>	<p>96 1/4" (2445) 120" (3048)</p>	<p>31760796 31760999</p>	<p>39230796 39230999</p>
	<p><b>Plinth Block</b> <i>NOTE: Pine</i></p> <p style="text-align: right;">Each</p> <p style="text-align: right;">Box of 50</p>		<p>11850093 10499100</p>	<p>39299100</p>

ILLUSTRATION NOT TO SCALE	DESCRIPTION	CALL NUMBER	BARE WOOD PART NO.	WHITE INTERIOR PART NO.
<p><b>Replacement Stops</b></p> 	<p><b>IRT CA</b> W4160</p> <p>Complete set</p> <p>Elliptical stop only</p> <p>Sill stop only</p>	<p>CN IQCIR 29-1W CN IRT 29-1W CN IRT 21-2W CN IRT 25-2W CN IRT 29-2W CN IRT 25-3W</p> <p>CN IRTCA 7318</p> <p>CN IRTCA 7318</p>	<p>37901290 37901291 37901212 37901252 37901292 37901253</p> <p>31507318</p> <p>31501755</p>	<p>39201290 39201291 39201212 39201252 39201292 39201253</p> <p>39207318</p> <p>39201755</p>
	<p><b>IRT DH</b> W4160</p> <p>Complete set</p>	<p>CN IRT 30-1W DH CN IRT 34-1W DH CN IRT 38-1W DH CN IRT 34-2W DH CN IRT 36-2W DH</p>	<p>37901301 37901341 37901381 37901342 37907337</p>	<p>39201301 39201341 39201381 39201343 39207337</p>
	<p><b>ISFD/ISPD/IIFD</b> W4160</p> <p>Complete set Complete set Elliptical stop only Sill stop only</p>	<p>CN IRTDR 7236 CN IRTDR 7218 CN IRTDR 7218 CN IRTDR 7218</p>	<p>37907337 37907320 31507317 31501759</p>	<p>39207337 39207320 39207317 39201759</p>
	<p><b>Lineal</b> W4160</p> <p>Lineal Lineal Lineal</p>	<p>96" (2438) 120" (3048) lineal 144" (3658) lineal</p>	<p>32181296 32181298 32181297</p>	<p>39201796 39201798 39201797</p>

When ordering replacement grilles or grille/interior trim:

1. Description;
2. Quantity;
3. Bare wood or white interior.



Glass and Grille/Interior Trim Information					
CN	DLO Width	DLO Height	Grille Hub OM	Glass OM Width	Glass OM Height
ICA 29-1W QR	23 11/16" (602)	24 9/32" (616)	8 17/32" (211)	25 3/8" (645)	25 27/32" (656)
ICA 29-1W TH	23 21/32" (600)	10 11/32" (263)	8 17/32" (211)	25 11/32" (693)	11 7/8" (302)
ICA 21-2W TH	35 11/16" (906)	16 11/32" (415)	20 3/4" (527)	37 11/32" (949)	17 7/8" (454)
ICA 25-2W TH	43 23/32" (1110)	20 11/32" (517)	24 3/4" (629)	45 11/32" (1152)	21 7/8" (556)
ICA 25-2W TH*	43 23/32" (1110)	20 11/32" (517)	22 11/32" (568)	45 11/32" (1152)	21 7/8" (556)
ICA 29-2W TH	51 23/32" (1314)	24 11/32" (618)	21 1/32" (531)	53 11/32" (1355)	25 7/8" (657)
ICA 29-2W TH**	51 23/32" (1314)	24 11/32" (618)	11" (279)	53 11/32" (1355)	25 7/8" (657)
ICA 25-3W TH	67 3/4" (1721)	32 11/32" (822)	24 1/16" (611)	69 3/8" (1762)	33 7/8" (860)
IRTCA 7318 ELLIPT.	68" (1727)	14 7/16" (367)	24 1/16" (611)	69 17/32" (1766)	15 15/16" (405)
IDH 30-1W TH	26 3/16" (665)	11 5/8" (295)	8 13/16" (224)	27 23/32" (704)	13 1/16" (332)
IDH 34-1W TH	30 7/32" (768)	13 5/8" (346)	10 1/8" (257)	31 23/32" (805)	15 1/16" (383)
IDH 38-1W TH	34 9/32" (870)	15 5/8" (397)	16 25/32" (426)	35 23/32" (907)	17 1/16" (433)
IDH 34-2W TH	63 13/16" (1620)	30 3/8" (772)	24 29/32" (633)	65 1/4" (1657)	31 13/16" (808)
IDH 36-2W TH***	67 7/8" (1724)	32 3/8" (822)	26 5/32" (664)	69 1/4" (1759)	33 3/4" (845)
IRTDR 7218 ELLIPT.	67 55/64" (1724)	14 55/64" (377)	24 27/64" (620)	69 5/32" (1757)	16 1/4" (413)

\* Denotes Round Top muller over an ICA 4955

\*\* Denotes Round Top muller over an ICA 5763

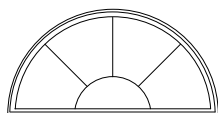
\*\*\* Use over 6-0 doors

ILLUSTRATION NOT TO SCALE	DESCRIPTION	CALL NUMBER	PART NO.
	Bullet Catch (Grille Fastener)		02062398

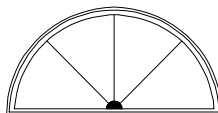
When ordering replacement glass specify:

1. Description;
2. Call number;
3. Glazing;
4. Part number.

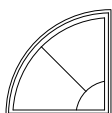
**REPLACEMENT GLASS SHAPES**



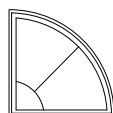
**RT 1**  
 Open Hub, 3 Spokes  
 Sunburst Lite Cut  
 Wood Grilles,  
 GBGs  
 SDL w / Spacer



**RT 1**  
 Solid Hub, 3 Spokes  
 Sunburst Lite Cut  
 GBGs

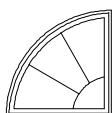


**RT 7**

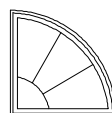


**RT 8**

Open Hub, 1 Spoke  
 Sunburst Lite Cut  
 Wood Grilles  
 SDL w / Spacer

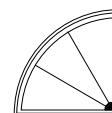


**RT 7**

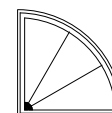


**RT 8**

Open Hub, 2 Spokes  
 Sunburst Lite Cut  
 GBGs  
 SDL w / Spacer

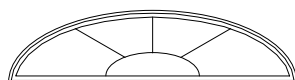


**RT 7**



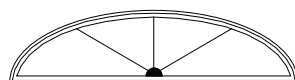
**RT 8**

Solid Hub, 2 Spokes  
 Sunburst Lite Cut  
 GBGs



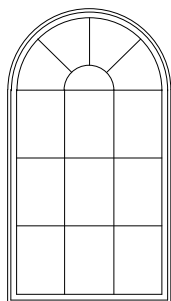
**RT 29**

Open Hub, 3 Spokes  
 Elliptical  
 Sunburst Lite Cut  
 GBGs  
 SDL w / Spacer

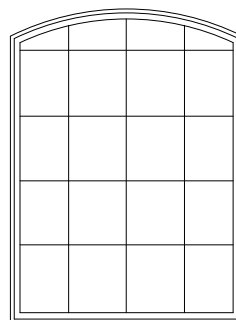
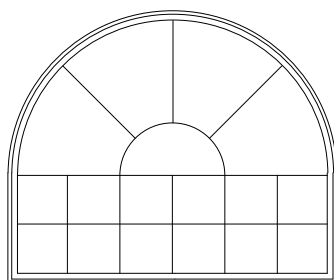


**RT 29**

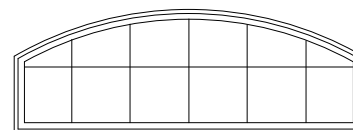
Solid Hub, 3 Spokes  
 Elliptical  
 Sunburst Lite Cut  
 GBGs



Open Hub, 3 Spokes Sunburst Lite Cut  
 Wood Grilles  
 SDL w / Spacer



Rectangular Lite Cut  
 Wood Grilles  
 GBG  
 SDL w / Spacer



## SDL Spacer Bar – Open Hub

NOTE: Replacement stops must be ordered when replacing Integrity Round Top glass

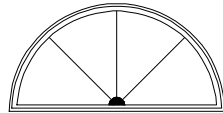
RT 1 – SDL SPACER BAR Glass – Open Hub							
RT1 – Casement, Awning and Picture				RT1 – Double Hung			
Fits over	LoE <sup>3</sup> 366	LoE <sup>2</sup> 272	LoE <sup>1</sup> 180	Fits over	LoE <sup>3</sup> 366	LoE <sup>2</sup> 272	LoE <sup>1</sup> 180
29–1W	2697205	12697205	19697205	30–1W	2697215	12697215	19697215
21–2W	2697207	12697207	19697207	34–1W	2697217	12697217	19697217
25–2W	2677209	12677209	19677209	38–1W	2697219	12697219	19697219
29–2W	2697211	12697211	19697211	34–2W	2697221	12697221	19697221
37–2W	2677213	12677213	19677213	36–2W	2697323	12697323	19697323
25–3W	2697213	12697213	19677213	<b>RT1 – Sliding Patio Door</b>			
49 Picture	2677209	12677209	19677209	7236	2667323	12667323	19667323
57 Picture	2677211	12677211	19697211	<b>RT1 – Sliding French Door</b>			
73 Picture	2687213	12687213	19677213	7236	2677323	12677323	19677323
				<b>RT1 – Inswing/Outswing French Door</b>			
				7236	2687323	12687323	19687323

RT 7, RT 8, RT 29 – SDL SPACER BAR Glass – Open Hub							
Fits over	LoE <sup>3</sup> 366	LoE <sup>2</sup> 272	LoE <sup>1</sup> 180	Fits over	LoE <sup>3</sup> 366	LoE <sup>2</sup> 272	LoE <sup>1</sup> 180
<b>RT 7 – Casement / Awning</b>				<b>RT 29 – Casement, Awning and Picture</b>			
29–1W	2697203	12697203	19697203	25–3W	2697319	12697319	19697319
<b>RT 8 – Casement / Awning</b>				37–2W	2677319	12677319	19677319
29–1W	2697201	12697201	19697201	73 Picture	2687319	12687319	19687319
				<b>RT 29 – Sliding Patio Door</b>			
				7218	2697321	12697321	19697321
				<b>RT 29 – Sliding French Door</b>			
				7218	2687321	12687321	19687321
				<b>RT 29 – Inswing / Outswing French Door</b>			
				7218	2677321	12677321	19677321

\*SDL with spacer bar available on Open Hub units only

## RT 1: Casement and Double Hung – LoE<sup>2</sup> 272<sup>®</sup>

NOTE: Replacement stops must be ordered when replacing Integrity Round Top glass



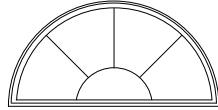
RT 1 – Solid Hub

	LoE <sup>2</sup> 272 <sup>®</sup>						
	One Lite	SW GBG	SW/BZ GBG	PB GBG	PB/BZ GBG	BZ GBG	BZ/BZ GBG
<b>Fits over</b>	<b>RT 1 – Solid Hub – Casement</b>						
29–1W	12697204	12697234	13697234	12625113	13625113	12625112	13625112
21–2W	12697206	12697236	13697236	12637173	13637173	12637172	13637172
25–2W	12697208	12697238	13697238	12645213	13645213	12645212	13645212
29–2W	12697210	12697240	13697240	12653253	13653253	12653252	13653252
25–3W	12697212	12697242	13697242	12669333	13669333	12669332	13669332
<b>Fits over</b>	<b>RT 1 – Solid Hub – Double Hung</b>						
30–1W	12697214	12697244	13697244	12627132	13627133	12627132	13627132
34–1W	12697216	12697246	13697246	12631153	13631153	12631152	13631152
38–1W	12697218	12697248	13697248	12635173	13635173	12635172	13635172
34–2W	12697220	12697250	13697250	12665313	13665313	12665312	13665312
36–2W	12697322	12697259	13697259	12668333	13668333	12668332	13668332
<b>Fits over</b>	<b>RT 1 – Solid Hub – Sliding Patio Door</b>						
7236	12697322	12697259	13697259	12668333	13668333	12668332	13668332

	LoE <sup>2</sup> 272 <sup>®</sup>					
	EG GBG	EG/BZ GBG	CS GBG	CS/BZ GBG	EB GBG	EB/BZ GBG
<b>Fits over</b>	<b>RT 1 – Solid Hub – Casement</b>					
29–1W	12625111	13625111	32625114	33625114	32625113	33625113
21–2W	12637171	13637171	32637174	33637174	32637173	33637173
25–2W	12645211	13645211	32645214	33645214	32645213	33645213
29–2W	12653251	13653251	32653254	33653254	32653253	33653253
25–3W	12669331	13669331	32669334	33669334	32669333	33669333
<b>Fits over</b>	<b>RT 1 – Solid Hub – Double Hung</b>					
30–1W	12627131	13627131	32627134	33627134	32627133	33627133
34–1W	12631151	13631151	32631154	33631154	32631153	33631153
38–1W	12635171	13635171	32635174	33635174	32635173	33635173
34–2W	12665311	13665311	32665314	33665314	32665313	33665313
36–2W	12668331	13668331	32668334	33668334	32668333	33668333
<b>Fits over</b>	<b>RT 1 – Solid Hub – Sliding Patio Door</b>					
7236	12668331	13668331	32668334	33668334	32668333	33668333

## RT 1: Casement and Double Hung – LoE<sup>2</sup> 272<sup>®</sup>

NOTE: Replacement stops must be ordered when replacing Integrity Round Top glass



RT 1 – Open Hub

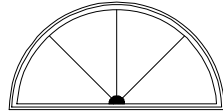
	LoE <sup>2</sup> 272 <sup>®</sup>						
	One Lite	SW GBG	SW/BZ GBG	PB GBG	PB/BZ GBG	BZ GBG	BZ/BZ GBG
<b>Fits over</b>	<b>RT 1 – Open Hub – Casement</b>						
29–1W CA	–	12525114	13525114	12525113	13525113	12525112	13525112
21–2W CA	–	12537174	13537174	12537173	13537173	12537172	13537172
25–2W CA	–	12545214	13545214	12545213	13545213	12545212	13545212
29–2W CA	–	12553254	13553254	12553253	13553253	12553252	13553252
57–1W CA	–	12563254	13563254	12563253	13563253	12563252	13563252
25–3W CA	–	12569334	13569334	12569333	13569333	12569332	13569332
<b>Fits over</b>	<b>RT 1 – Open Hub – Double Hung</b>						
30–1W TDH	–	12527134	13527134	12527133	13527133	12527132	13527132
34–1W TDH	–	12531154	13531154	12531153	13531153	12531152	13531152
38–1W TDH	–	12535174	13535174	12535173	13535173	12535172	13535172
34–2W TDH	–	12565314	13565314	12565313	13565313	12565312	13565312
36–2W	–	12568334	13568334	12568333	13568333	12568332	13568332
<b>Fits over</b>	<b>RT 1 – Open Hub – Double Hung</b>						
7236	–	12568334	13568334	12568333	13568333	12568332	13568332

	LoE <sup>2</sup> 272 <sup>®</sup>					
	EG GBG	EG/BZ GBG	CS GBG	CS/BZ GBG	EB GBG	EB/BZ GBG
<b>Fits over</b>	<b>RT 1 – Open Hub – Casement</b>					
29–1W CA	12525111	13525111	32525114	33525114	32525113	33525113
21–2W CA	12537171	13537171	32537174	33537174	32537173	33537173
25–2W CA	12545211	13545211	32545214	33545214	32545213	33545213
29–2W CA	12553251	13553251	32553254	33553254	32553253	33553253
57–1W CA	12563251	13563251	32563254	33563254	32563253	33563253
25–3W CA	12569331	13569331	32569334	33569334	32569333	33569333
<b>Fits over</b>	<b>RT 1 – Open Hub – Double Hung</b>					
30–1W TDH	12527131	13527131	32527134	33527164	32527133	33527133
34–1W TDH	12531151	13531151	32531154	33531154	32531153	33531153
38–1W TDH	12535171	13535171	32535174	33535174	32535173	33535173
34–2W TDH	12565311	13565311	32565314	33565314	32565313	33565313
36–2W	12568331	13568331	32568334	33568334	32568333	33568333
<b>Fits over</b>	<b>RT 1 – Open Hub – Double Hung</b>					
7236	12568331	13568331	32568334	33568334	32568333	33568333



## RT 1: – Casement and Double Hung – LoE<sup>3</sup> 366<sup>®</sup>

NOTE: Replacement stops must be ordered when replacing Integrity Round Top glass



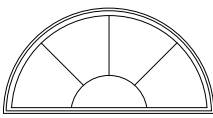
RT 1 – Solid Hub

	LoE <sup>3</sup> 366 <sup>®</sup>						
	One Lite	SW GBG	SW/BZ GBG	PB GBG	PB/BZ GBG	BZ GBG	BZ/BZ GBG
<b>Fits over</b>	<b>RT 1 – Solid Hub – Casement</b>						
29–1W	2697204	2697234	3697234	2625113	3625113	2625112	3625112
21–2W	2697206	2697236	3697236	2637173	3637173	2637172	3637172
25–2W	2697208	2697238	3697238	2645213	3645213	2645212	3645212
29–2W	2697210	2697240	3697240	2653253	3653253	2653252	3653252
25–3W	2697212	2697242	3697242	2669333	3669333	2669332	3669332
<b>Fits over</b>	<b>RT 1 – Solid Hub – Double Hung</b>						
30–1W	2697214	2697244	3697244	2627133	3627133	2627132	3627132
34–1W	2697216	2697246	3697246	2631153	3631153	2631152	3631152
38–1W	2697218	2697248	3697248	2635173	3635173	2635172	3635172
34–2W	2697220	2697250	3697250	2665313	3665313	2665312	3665312
36–2W	2697322	2697259	3697259	2668333	3668333	2668332	3668332
<b>Fits over</b>	<b>RT 1 – Solid Hub – Sliding Patio Door</b>						
7236	2697322	2697259	3697259	2668333	3668333	2668332	3668332

	LoE <sup>3</sup> 366 <sup>®</sup>					
	EG GBG	EG/BZ GBG	CS GBG	CS/BZ GBG	EB GBG	EB/BZ GBG
<b>Fits over</b>	<b>RT 1 – Solid Hub – Casement</b>					
29–1W	2625111	3625111	2925114	3925114	2925113	3925113
21–2W	2637171	3637171	2937174	3937174	2937173	3937173
25–2W	2645211	3645211	2945214	3945214	2945213	3945213
29–2W	2653251	3653251	2953254	3953254	2953253	3953253
25–3W	2669331	3669331	2969334	3969334	2969333	3969333
<b>Fits over</b>	<b>RT 1 – Solid Hub – Double Hung</b>					
30–1W	2627131	3627131	2927134	3927134	2927133	3927133
34–1W	2631151	3631151	2931154	3931154	2931153	3931153
38–1W	2635171	3635171	2935174	3935174	2935173	3935173
34–2W	2665311	3665311	2965314	3965314	2965313	3965313
36–2W	2668331	3668331	2968334	3968334	2968333	3968333
<b>Fits over</b>	<b>RT 1 – Solid Hub – Sliding Patio Door</b>					
7236	2668331	3668331	2968334	3968334	2968333	3968333

## RT 1: – Casement and Double Hung – LoE<sup>3</sup> 366<sup>®</sup>

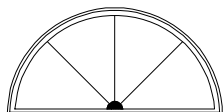
NOTE: Replacement stops must be ordered when replacing Integrity Round Top glass

 RT 1 – Open Hub							
LoE <sup>3</sup> 366 <sup>®</sup>							
	One Lite	SW GBG	SW/BZ GBG	PB GBG	PB/BZ GBG	BZ GBG	BZ/BZ GBG
RT 1 – Open Hub – Casement							
Fits over							
29–1W CA	–	2525114	3525114	2525113	3525113	2525112	3525112
21–2W CA	–	2537174	3537174	2537173	3537173	2537172	3537172
25–2W CA	–	2545214	3545214	2545213	3545213	2545212	3545212
29–2W CA	–	2553254	3553254	2553253	3553253	2553252	3553252
57–1W CA	–	2563254	3563254	2563253	3563253	2563252	3563252
25–3W CA	–	2569334	3569334	2569333	3569333	2569332	3569332
RT 1 – Open Hub – Double Hung							
Fits over							
30–1W TDH	–	2527134	3527134	2527133	3527133	2527132	3527132
34–1W TDH	–	2531154	3531154	2531153	3531153	2531152	3531152
38–1W TDH	–	2535174	3535174	2535173	3535173	2535172	3535172
34–2W TDH	–	2565314	3565314	2565313	3565313	2565312	3565312
36–2W	–	2568334	3568334	2568333	3568333	2568332	3568332
RT 1 – Open Hub – Double Hung							
Fits over							
7236	–	2568334	3568334	2568333	3568333	2568332	3568332

LoE <sup>3</sup> 366 <sup>®</sup>						
	EG GBG	EG/BZ GBG	CS GBG	CS/BZ GBG	EB GBG	EB/BZ GBG
RT 1 – Open Hub – Casement						
Fits over						
29–1W CA	2525111	3525111	2825114	3995114	2825113	3995113
21–2W CA	2537171	3537171	2837174	3997174	2837173	1937173
25–2W CA	2545211	3545211	2845214	3995214	2845213	1945213
29–2W CA	2553251	3553251	2853254	3993254	2853253	1953253
57–1W CA	2563251	3563251	2863254	3963254	2863253	3963253
25–3W CA	2569331	3569331	2869334	3169334	2869333	1969333
RT 1 – Open Hub – Double Hung						
Fits over						
30–1W TDH	2527131	3527131	2827134	3927164	2827133	1927133
34–1W TDH	2531151	3531151	2831154	3991154	2831153	1931153
38–1W TDH	2535171	3535171	2835174	3995174	2835173	1935173
34–2W TDH	2565311	3565311	2865314	3995314	2865313	1965313
36–2W	2568331	3568331	2868334	3998334	2868333	1968333
RT 1 – Open Hub – Double Hung						
Fits over						
7236	2568331	3568331	2868334	3998334	2868333	1968333

## RT 1: – Casement and Double Hung – LoE 180™

NOTE: Replacement stops must be ordered when replacing Integrity Round Top glass



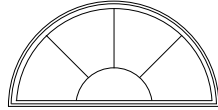
RT 1 – Solid Hub

	LoE 180®						
	One Lite	SW GBG	SW/BZ GBG	PB GBG	PB/BZ GBG	BZ GBG	BZ/BZ GBG
<b>Fits over</b>	<b>RT 1 – Solid Hub – Casement</b>						
29–1W	19697204	19697234	16697234	19625113	16625113	19625112	16625112
21–2W	19697206	19697236	16697236	19637173	16637173	19637172	16637172
25–2W	19697208	19697238	16697238	19645213	16645213	19645212	16645212
29–2W	19697210	19697240	16697240	19653253	16653253	19653252	16653252
25–3W	19697212	19697242	16697242	19669333	16669333	19669332	16669332
<b>Fits over</b>	<b>RT 1 – Solid Hub – Double Hung</b>						
30–1W	19697214	19697244	16697244	19627132	16627133	19627132	16627132
34–1W	19697216	19697246	16697246	19631153	16631153	19631152	16631152
38–1W	19697218	19697248	16697248	19635173	16635173	19635172	16635172
34–2W	19697220	19697250	16697250	19665313	16665313	19665312	16665312
36–2W	19697322	19697259	16697259	19668333	16668333	19668332	16668332
<b>Fits over</b>	<b>RT 1 – Solid Hub – Sliding Patio Door</b>						
7236	19697322	19697259	16697259	19668333	16668333	19668332	16668332

	LoE 180®					
	EG GBG	EG/BZ GBG	CS GBG	CS/BZ GBG	EB GBG	EB/BZ GBG
<b>Fits over</b>	<b>RT 1 – Solid Hub – Casement</b>					
29–1W	19625111	16625111	39625114	36625114	38625114	36625113
21–2W	19637171	16637171	39637174	36637174	38637174	36637173
25–2W	19645211	16645211	39645214	36645214	38645214	36645213
29–2W	19653251	16653251	39653254	36653254	38653254	36653253
25–3W	19669331	16669331	39669334	36669334	38669334	36669333
<b>Fits over</b>	<b>RT 1 – Solid Hub – Double Hung</b>					
30–1W	19627131	16627131	39627134	36627134	38627134	36627133
34–1W	19631151	16631151	39631154	36631154	38631154	36631153
38–1W	19635171	16635171	39635174	36635174	38635174	36635173
34–2W	19665311	16665311	39665314	36665314	38665314	36665313
36–2W	19668331	16668331	39668334	36668334	38668334	36668333
<b>Fits over</b>	<b>RT 1 – Solid Hub – Sliding Patio Door</b>					
7236	19668331	16668331	39668334	36668334	38668334	36668333

**RT 1: – Casement and Double Hung – LoE 180™**

NOTE: Replacement stops must be ordered when replacing Integrity Round Top glass



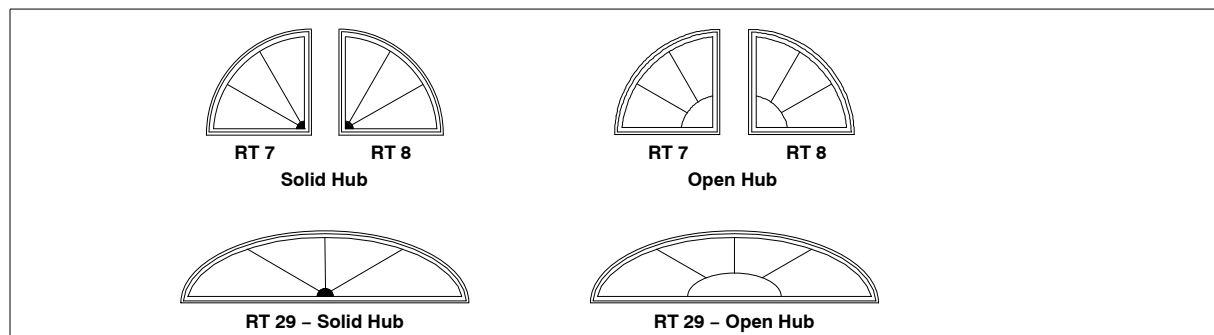
RT 1 – Open Hub

Fits over	LoE 180®						
	One Lite	SW GBG	SW/BZ GBG	PB GBG	PB/BZ GBG	BZ GBG	BZ/BZ GBG
<b>RT 1 – Open Hub – Casement</b>							
29–1W CA	–	19525114	16525114	19525113	16525113	19525112	16525112
21–2W CA	–	19537174	16537174	19537173	16537173	19537172	16537172
25–2W CA	–	19545214	16545214	19545213	16545213	19545212	16545212
29–2W CA	–	19553254	16553254	19553253	16553253	19553252	16553252
57–1W CA	–	19563254	16563254	19563253	16563253	19563252	16563252
25–3W CA	–	19569334	16569334	19569333	16569333	19569332	16569332
<b>RT 1 – Open Hub – Double Hung</b>							
30–1W TDH	–	19527134	16527134	19527133	16527133	19527132	16527132
34–1W TDH	–	19531154	16531154	19531153	16531153	19531152	16531152
38–1W TDH	–	19535174	16535174	19535173	16535173	19535172	16535172
34–2W TDH	–	19565314	16565314	19565313	16565313	19565312	16565312
36–2W	–	19568334	16568334	19568333	16568333	19568332	16568332
<b>RT 1 – Open Hub – Double Hung</b>							
7236	–	19568334	16568334	19568333	16568333	19568332	16568332

Fits over	LoE 180®					
	EG GBG	EG/BZ GBG	CS GBG	CS/BZ GBG	EB GBG	EB/BZ GBG
<b>RT 1 – Open Hub – Casement</b>						
29–1W CA	19525111	16525111	39525114	36525114	38525114	36525113
21–2W CA	19537171	16537171	39537174	36537174	38537174	36537173
25–2W CA	19545211	16545211	39545214	36545214	38545214	36545213
29–2W CA	19553251	16553251	39553254	36553254	38553254	36553253
57–1W CA	19563251	16563251	39563254	36563254	38563254	36563253
25–3W CA	19569331	16569331	39569334	36569334	38569334	36569333
<b>RT 1 – Open Hub – Double Hung</b>						
30–1W TDH	19527131	16527131	39527134	36527164	38527134	36527133
34–1W TDH	19531151	16531151	39531154	36531154	38531154	36531153
38–1W TDH	19535171	16535171	39535174	36535174	38535174	36535173
34–2W TDH	19565311	16565311	39565314	36565314	38565314	36565313
36–2W	19568331	16568331	39568334	36568334	38568334	36568333
<b>RT 1 – Open Hub – Double Hung</b>						
7236	19568331	16568331	39568334	36568334	38568334	36568333

### RT 7, RT 8, and RT 29: – Casement / Awning and Door – LoE<sup>2</sup> 272<sup>®</sup>

NOTE: Replacement stops must be ordered when replacing Integrity Round Top glass

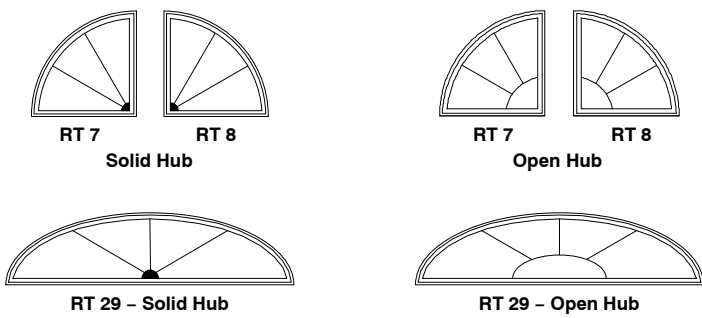


Fits over	LoE <sup>2</sup> 272 <sup>®</sup>								
	One Lite	SW GBG	SW/BZ GBG	PB GBG	PB/BZ GBG	BZ GBG	BZ/BZ GBG	EG GBG	EG/BZ GBG
29-1W	<b>RT 7 – Solid Hub – Casement / Awning</b>								
	12697202	12697232	13697232	12695273	13625273	12625272	13625272	12625271	13625271
	<b>RT 8 – Solid Hub – Casement / Awning</b>								
	12697200	12697230	13697230	12625263	13625263	12625262	13625262	12625261	13625261
	<b>RT 7 – Open Hub – Casement / Awning</b>								
	-	12525274	13697232	12525273	13625273	12525272	13625272	12525271	13625271
7318	<b>RT 8 – Open Hub – Casement / Awning</b>								
	-	12525264	13697230	12525263	13625263	12525262	13625262	12525261	13625261
	<b>RT 29 – Solid Hub – Casement / Awning</b>								
	12697318	12697252	13697252	12669153	13669153	12669152	13669152	12669151	13669151
7218	<b>RT 29 – Open Hub – Casement / Awning</b>								
	-	12569154	13569154	12569153	13569153	12569152	13569152	12569151	13569151
	<b>RT 29 – Solid Hub – Door</b>								
12697320	12697257	13697257	12668153	13668153	12668152	13668152	12668151	13668151	
7218	<b>RT 29 – Open Hub – Door</b>								
	-	12568154	13568154	12568153	13568153	12568152	13568152	12568151	13568151

Fits over	LoE <sup>2</sup> 272 <sup>®</sup>			
	CS GBG	CS/BZ GBG	EB GBG	EB/BZ GBG
29-1W	<b>RT 7 – Solid Hub – Casement / Awning</b>			
	32625274	33625274	32625273	33625273
	<b>RT 8 – Solid Hub – Casement / Awning</b>			
	32625264	33625264	32625263	33625263
	<b>RT 7 – Open Hub – Casement / Awning</b>			
	32525274	33625274	32525273	33625273
7318	<b>RT 8 – Open Hub – Casement / Awning</b>			
	32525274	33625264	32525263	33625263
	<b>RT 29 – Solid Hub – Casement / Awning</b>			
	32669154	33669154	32669153	33669153
7218	<b>RT 29 – Open Hub – Casement / Awning</b>			
	32569154	33569154	32569153	33569153
	<b>RT 29 – Solid Hub – Door</b>			
	32668154	33668154	32668153	33668153
7218	<b>RT 29 – Open Hub – Door</b>			
	32568154	33568154	32568153	33568153

**RT 7, RT 8, and RT 29: – Casement / Awning and Door – LoE<sup>3</sup> 366®**

NOTE: Replacement stops must be ordered when replacing Integrity Round Top glass

							
Fits over	LoE <sup>3</sup> 366®						
	One Lite	SW GBG	SW/BZ GBG	PB GBG	PB/BZ GBG	BZ GBG	BZ/BZ GBG
29-1W	RT 7 – Solid Hub – Casement / Awning						
	2697202	2697232	3697232	2625273	3625273	2625272	3625272
	RT 8 – Solid Hub – Casement / Awning						
	2697200	2697230	3697230	2625263	3625263	2625262	3625262
	RT 7 – Open Hub – Casement / Awning						
	-	2525274	3525274	2525273	3525273	2525272	3525272
7318	RT 8 – Open Hub – Casement / Awning						
	-	2525264	3525264	2525263	3525263	2525262	3525262
	RT 29 – Solid Hub – Casement / Awning						
	2697318	2697252	3697252	2669153	3669153	2669152	3669152
7218	RT 29 – Open Hub – Casement / Awning						
	-	2569154	3569154	2569153	3569153	2569152	3569152
	RT 29 – Solid Hub – Door						
	2697322	26697257	3697257	2668153	3668153	2668152	3668152
7218	RT 29 – Open Hub – Door						
	-	2568154	3568154	2568153	3568153	2568152	3568152

Fits over	LoE <sup>3</sup> 366®					
	EG GBG	EG/BZ GBG	CS GBG	CS/BZ GBG	EB GBG	EB/BZ GBG
29-1W	RT 7 – Solid Hub – Casement / Awning					
	2625271	3625271	2925274	3925274	2925273	3925273
	RT 8 – Solid Hub – Casement / Awning					
	2625261	3625261	2925264	3925264	2925263	3925263
	RT 7 – Open Hub – Casement / Awning					
	2525271	3525271	2825274	3995274	2825273	3995273
7318	RT 8 – Open Hub – Casement / Awning					
	2525261	3525261	2825264	3995264	2825263	3995263
	RT 29 – Solid Hub – Casement / Awning					
	2669151	3669151	269154	3969154	2969153	3969153
7218	RT 29 – Open Hub – Casement / Awning					
	2569151	3569151	2869154	3169154	2869153	1969153
	RT 29 – Solid Hub – Door					
2668151	3668151	2968154	3968154	2968153	3968153	
7218	RT 29 – Open Hub – Door					
	2568151	3568151	2868154	3998154	2868153	1968153

## RT 7, RT 8, and RT 29: – Casement / Awning and Door – LoE 180™

NOTE: Replacement stops must be ordered when replacing Integrity Round Top glass

Fits over	LoE 180®						
	One Lite	SW GBG	SW/BZ GBG	PB GBG	PB/BZ GBG	BZ GBG	BZ/BZ GBG
29-1W	RT 7 – Solid Hub – Casement / Awning						
	19697202	19697232	16697232	19695273	16625273	19625272	16625272
	RT 8 – Solid Hub – Casement / Awning						
	19697200	19697230	16697230	19625263	16625263	19625262	16625262
	RT 7 – Open Hub – Casement / Awning						
	-	19525274	16525274	19525273	16525273	19525272	16525272
7318	RT 8 – Open Hub – Casement / Awning						
	-	19525264	16525264	19525263	16525264	19525262	16525262
	RT 29 – Solid Hub – Casement / Awning						
	19697318	19697257	16697252	19667333	16669153	19669152	16669152
7218	RT 29 – Open Hub – Casement / Awning						
	-	19569154	16569154	19569153	16569153	19569152	16569152
	RT 29 – Solid Hub – Door						
	19697320	19697257	16697257	19668333	16668153	19668332	16668152
7218	RT 29 – Open Hub – Door						
	-	19568154	16568154	19568153	16568153	19568152	16568152

Fits over	LoE 180®					
	EG GBG	EG/BZ GBG	CS GBG	CS/BZ GBG	EB GBG	EB/BZ GBG
29-1W	RT 7 – Solid Hub – Casement / Awning					
	19625271	16625271	39625274	36625274	38625274	36625273
	RT 8 – Solid Hub – Casement / Awning					
	19625261	16625261	39625264	36625264	38625264	36625263
	RT 7 – Open Hub – Casement / Awning					
	19525271	16525271	39525274	36525274	38525274	36525273
7318	RT 8 – Open Hub – Casement / Awning					
	19525261	16525261	39525264	36525264	38525264	36525263
	RT 29 – Solid Hub – Casement / Awning					
	19669151	16669151	39669154	36669154	38669154	36669153
7218	RT 29 – Open Hub – Casement / Awning					
	19569151	16569151	39569154	36569154	38569154	36569153
	RT 29 – Solid Hub – Door					
	19668331	16668151	39668154	36668154	38668154	36668153
7218	RT 29 – Open Hub – Door					
	19568151	16568151	39568154	36568154	38568154	36568153

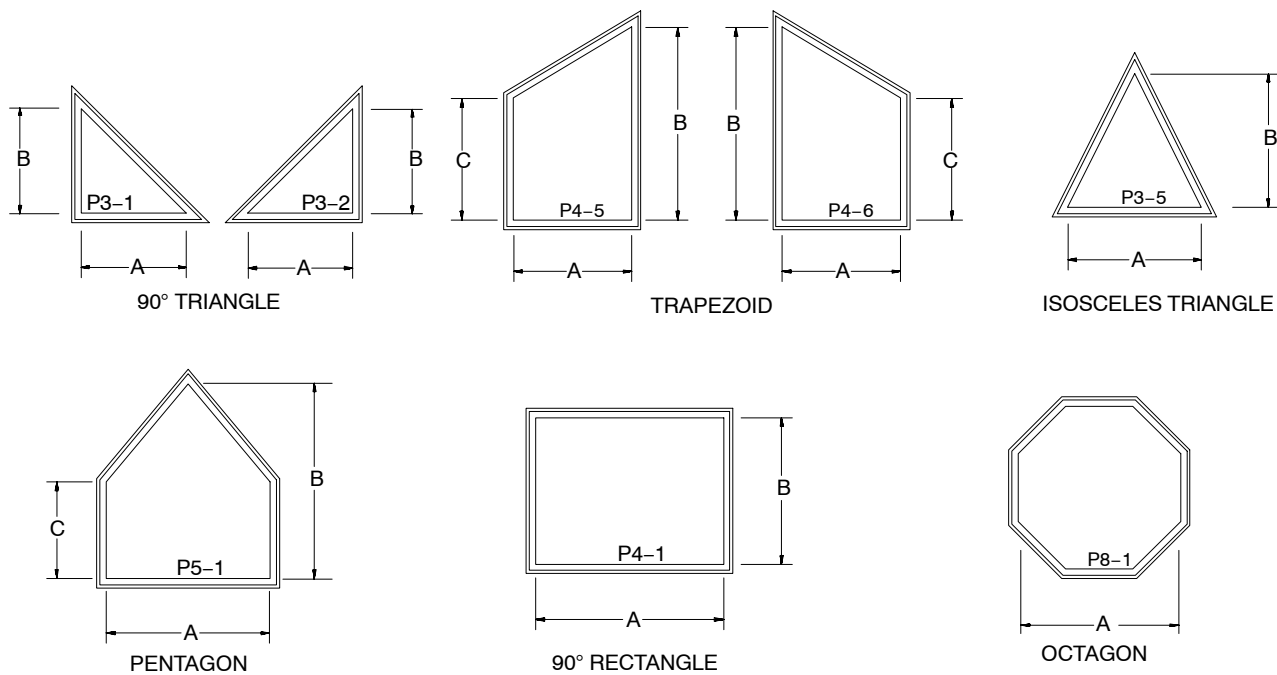
**ORDERING POLYGON REPLACEMENT GLASS**

When ordering replacement glass specify:

1. Order #
2. Shape (see shapes below);
3. Rough opening\* (polygon shapes only);
4. Glazing.

NOTE: Stops (W4160) are included when ordering replacement glass for Integrity Polygon/Direct Glaze.

\* If rough opening is not available, provide the exterior daylight opening by measuring at key dimensions shown in the shape chart below and contact your Integrity representative to calculate rough opening.



NOTE: Exterior view shown



**Polygon/Direct Glaze – LoE<sup>2</sup> 272<sup>®</sup>**

**CONVERSION FOR RECTANGLE UNITS ONLY**

Determine the rough opening of the existing direct glaze rectangle polygon/transom by measuring the daylight opening. The daylight opening is a measurement of the visible glass.

**Daylight opening width + 5 3/8" (137) = Rough Opening width of the unit**

**Daylight opening height + 4 7/8" (124) = Rough Opening height of the unit**

*NOTE: Daylight opening measurement is from the interior.*

*NOTE: Stops (W4160) are included when ordering replacement glass for Integrity Polygon/Direct Glaze.*

LoE <sup>2</sup> 272 Call Number	One Lite and GBG							
	Daylight Opening Width	Daylight Opening Height	One-Lite	Impact	SW GBG	SW/BZ GBG	PB GBG	PB/BZ GBG
<b>ICADG</b>								
7316-6W1H	67 5/8" (1718)	11 3/8" (289)	13369120	33369125	13312694	14312694	13312693	14312693
7316 Prairie-3W2H	67 5/8" (1718)	11 3/8" (289)			23312694	24312694	23312693	24312693
7316 Tempered Obscure	67 5/8" (1718)	11 3/8" (289)	13369135		-		-	
<b>ISPDDG</b>								
7216-6W1H	66 5/8" (1692)	11 3/8"	13368120		13338124	14338124	13338123	14338123
7216-4W1H	66 5/8" (1692)	11 3/8"	13368120		13348124	14348124	13348123	14348123
7216 Prairie	66 5/8" (1692)	11 3/8"			23338124	24338124	23338123	24338123
10716-9W1H OXO RH or XOO	102 3/8" (2600)	11 3/8"	13303120		13303124	14303124	13303123	14303123
10716-6W1H OXO RH or XOO	102 3/8" (2600)	11 3/8"	13303120		13363124	14363124	13363123	14363123
10716-9W1H OXO LH or OOX	102 1/8" (2594)	11 3/8"	13303120		13303134	14303134	13303133	14303133
10716-6W1H OXO LH or OOX	102 1/8" (2594)	11 3/8"	13303120		13323134	14323134	13323133	14323133

LoE <sup>2</sup> 272 Call Number	One Lite and GBG							
	BZ GBG	BZ/BZ GBG	EG GBG	EG/BZ GBG	CS GBG	CS/BZ GBG	EB GBG	EB/BZ GBG
<b>ICADG</b>								
7316-6W1H	13312692	14312692	13312691	14312691	33312694	34312694	33312693	34312693
7316 Prairie-3W2H	23312692	24312692	23312691	24312691	43312694	44312694	43312693	44312693
7316 Tempered Obscure	-		-		-		-	
<b>ISPDDG</b>								
7216-6W1H	13338122	14338122	13338121	14338121	33338124	34338124	33338123	34338123
7216-4W1H	13348122	14348122	13348121	14348121	33348124	34348124	33348123	34348123
7216 Prairie	23338122	24338122	23338121	24338121	43338124	44338124	33348123	44338123
10716-9W1H OXO RH or XOO	13303122	14303122	13303121	14303121	33303124	34303124	33303123	34303123
10716-6W1H OXO RH or XOO	13363122	14363122	13363121	14363121	33363124	34363124	33363123	34363123
10716-9W1H OXO LH or OOX	13303132	14303132	13303131	14303131	33303134	34303134	33303133	34303133
10716-6W1H OXO LH or OOX	13323132	14323132	13323131	14323131	33323134	34323134	33323133	34323133

**Polygon/Direct Glaze – LoE<sup>2</sup> 272<sup>®</sup>**

LoE <sup>2</sup> 272	One Lite and GBG								
	Call Number	Daylight Opening Width	Daylight Opening Height	One-Lite	Impact	SW GBG	SW/BZ GBG	PB GBG	PB/BZ GBG
<b>ISFDDG</b>									
7216-6W1H	66 5/8"	11 3/8"	13368120			13368124	14368124	13368123	14368123
7216-4W1H	66 5/8"	11 3/8"	13368120			13358124	14358124	13358123	14358123
7216 Prairie-3W2H	66 5/8"	11 3/8"				23368124	24368124	23368123	24368123
10716-9W1H OXO RH or XOO	102 1/8"	11 3/8"	13313120			13307124	14307124	13307123	14307123
10716-6W1H OXO RH or XOO	102 1/8"	11 3/8"	13313120			13367124	14367124	13367123	14367123
10716-9W1H OXO LH or OOX	102 1/8"	11 3/8"	13313120			13307134	14307134	13307133	14307133
10716-6W1H OXO LH or OOX	102 1/8"	11 3/8"	13313120			13367134	14367134	13367133	14367133
<b>IIFDDG</b>									
7216-6W1H	66 5/8"	11 3/8"	13368120	33368125		13368125	14368125	13368133	14368133
7216-4W1H	66 5/8"	11 3/8"	13368120			13378124	11378124	13378123	11378123
7216 Prairie-3W2H	66 5/8"	11 3/8"				23368125	24368125	23368133	24368133
3616-3W1H	31 15/16" (811)	11 3/8"	13333130			13333134	14333134	13333133	14333133
3616-2W1H	31 15/16" (811)	11 3/8"				13363134	14363134	13363133	14363133
3616 Prairie-3W2H	31 15/16" (811)	11 3/8"				23333134	24333134	23333133	24333133
10816 3060-9W1H	102 15/16" (2621)	11 3/8"	13303130			13304124	14304124	13304123	14304123
10816 3060-6W1H	102 15/16" (2621)	11 3/8"	13364124			13364124	14364124	13364123	14364123
10816 6030-9W1H	102 15/16"	11 3/8"	13303130			13304134	14304134	13304133	14304133
10816 6030-6W1H	102 15/16"	11 3/8"	13303130			13324134	14324134	13324133	14324133
<b>EVENLY SPACED</b>									
IIFDDG 10816-9W1H	102 15/16"	11 3/8"				13314134	14314134	13314133	14314133
IIFDDG 10816-6W1H	102 15/16"	11 3/8"				13364134	14364134	13364133	14364133
ISFDDG and ISPDG 10716-9W1H	102 1/8"	11 3/8"				13313134	14313134	13313133	14313133
ISFDDG and ISPDG 10716-6W1H	102 1/8"	11 3/8"				13373134	11373134	13373133	11373133

LoE <sup>2</sup> 272	One Lite and GBG							
	Call Number	BZ GBG	BZ/BZ GBG	EG GBG	EG/BZ GBG	CS GBG	CS/BZ GBG	EB GBG
<b>ISFDDG</b>								
7216-6W1H	13368122	14368122	13368121	14368121	33368124	34368124	33368123	34368123
7216-4W1H	13358122	14358122	13358121	14358121	33358124	34358124	33358123	34358123
7216 Prairie-3W2H	23336122	24336122	23368121	24368121	43368124	44368124	33358123	44368123
10716-9W1H OXO RH or XOO	13307122	14307122	13307121	14307121	33307124	34307124	33307123	34307123
10716-6W1H OXO RH or XOO	13367122	14367122	13367121	14367121	33367124	34367124	33367123	34367123
10716-9W1H OXO LH or OOX	13307132	14307132	13307131	14307131	33307134	34307134	33307133	34307133
10716-6W1H OXO LH or OOX	13367132	14367132	13367131	14367131	33367134	34367134	33367133	34367133
<b>IIFDDG</b>								
7216-6W1H	13368132	14368132	13368131	14368131	33368134	34368134	33368133	34368133
7216-4W1H	13378122	11378122	13378121	11378121	33378124	34378124	43368133	34378123
7216 Prairie-3W2H	23368132	24368132	23368131	24368131	43368134	44368134	33378123	44368133
3616-3W1H	13333132	14333132	13333131	14333131	13333134	34333134	33333133	34333133
3616-2W1H	13363132	14363132	13363131	14363131	33363134	34363134	43333133	34363133
3616 Prairie-3W2H	23333132	24333132	23333131	24333131	43333134	44333134	33363133	44333133
10816 3060-9W1H	13304122	14304122	13304121	14304121	33304124	34304124	33304123	34304123
10816 3060-6W1H	13364122	14364122	13364121	14364121	33364124	34364124	33364123	34364123
10816 6030-9W1H	13304132	14304132	13314131	14304131	33304134	34304134	33304133	34304133
10816 6030-6W1H	13324132	14324132	13324131	14324131	33324134	34324134	33324133	34324133
<b>EVENLY SPACED</b>								
IIFDDG 10816-9W1H	13314132	14314132	13314131	14314131	33314134	34314134	33314133	34314133
IIFDDG 10816-6W1H	14364132	11373132	13364131	14364131	33364134	34364134	33364133	34364133
ISFDDG and ISPDG 10716-9W1H	13313132	14313132	13313131	14313131	33313134	34313134	33313133	34313133
ISFDDG and ISPDG 10716-6W1H	13373132	11373132	13373131	11373131	33373134	34373134	33373133	34373133

**Polygon/Direct Glaze – LoE<sup>2</sup> 272<sup>®</sup>**

<b>LoE<sup>2</sup> 272</b>	<b>SDL GLASS WITH SPACER BAR</b>				
<b>Call Number</b>	<b>Daylight Opening Width</b>	<b>Daylight Opening Height</b>	<b>Equal Lite Cut</b>	<b>Additional Lite Cut</b>	<b>Prairie Lite Cut</b>
<b>ICADG</b>					
7316 ICA 25 –3W	67 5/8" (1718)	11 3/8" (289)	12369120 – 6W1H		12468120 – 3W2H
7316 ICA 37 –2W	67 5/8" (1718)	11 3/8" (289)	12379120 – 6W1H	12579120 – 4W1H	12433130 – 3W2H
<b>ISPDGG</b>					
7216	66 5/8" (1692)	11 3/8"	12368120 – 6W1H	12568120 – 4W1H	12478120 – 3W2H
10716 XOO	102 3/8" (2600)	11 3/8"	12303120 – 9W1H	12503120 – 6W1H	–
10716 OOX	102 3/8" (2600)	11 3/8"	12313120 – 9W1H	12513120 – 6W1H	–
10716 OXO RH	102 1/8" (2594)	11 3/8"	12323120 – 9W1H	12523120 – 6W1H	–
10716 OXO LH	102 1/8" (2594)	11 3/8"	12333120 – 9W1H	12533120 – 6W1H	–
<b>ISFDDG</b>					
7216	66 5/8"	11 3/8"	12378120 – 6W1H	12578120 – 4W1H	12488120 – 3W2H
10716 XOO	102 1/8"	11 3/8"	12343120 – 9W1H	12503120 – 6W1H	–
10716 OOX	102 1/8"	11 3/8"	12353120 – 9W1H	12513120 – 6W1H	–
10716 OXO RH	102 1/8"	11 3/8"	12363120 – 9W1H	12523120 – 6W1H	–
10716 OXO LH	102 1/8"	11 3/8"	12373120 – 9W1H	12533120 – 6W1H	–
<b>IIFDDG</b>					
3616	31 15/16" (811)	11 3/8"	12313130 – 3W1H	12513130 – 2W1H	12479120 – 3W2H
7216	66 5/8"	11 3/8"	12388120 – 6W1H	12588120 – 4W1H	12469120 – 3W2H
10816 3060	102 15/16" (2621)	11 3/8"	12303130 – 9W1H	12503130 – 6W1H	–
10816 6030	102 15/16"	11 3/8"	12323130 – 9W1H	12523130 – 6W1H	–
<b>EVENLY SPACED</b>					
ISFDDG 10716	102 1/8"	11 3/8"	12313134 – 9W1H	12513134 – 6W1H	–
IIFDDG 10816	102 15/16"	11 3/8"	12333130 – 9W1H	12533130 – 6W1H	–

## Polygon/Direct Glaze – LoE<sup>3</sup> 366<sup>®</sup>

NOTE: Stops (W4160) are included when ordering replacement glass for Integrity Polygon/Direct Glaze.

LoE <sup>3</sup> 366 Call Number	One Lite and GBG							
	Daylight Opening Width	Daylight Opening Height	One-Lite	Impact Glass	SW GBG	SW/BZ GBG	PB GBG	PB/BZ GBG
<b>ICADG</b>								
7316-6W1H	67 5/8" (1718)	11 3/8" (289)	3369120	2369125	3312694	4312694	3312693	4312693
7316 Prairie Cut-3W2H	67 5/8" (1718)	11 3/8" (289)	-	-	3412694	4812694	3412693	4812693
7316-4W1H	67 5/8" (1718)	11 3/8" (289)	3369120	-	3348124	4348124	3348123	4348123
7316 (Tempered Obscure)	67 5/8" (1718)	11 3/8" (289)	3369135	-	-	-	-	-
<b>ISPDDG</b>								
7216-6W1H	66 5/8" (1692)	11 3/8"	3368120	-	3338124	4338124	3338123	4338123
7216 Prairie-3W2H	66 5/8" (1692)	11 3/8"	-	-	3468124	4838124	3468123	4838123
7216 -4W1H	66 5/8" (1692)	11 3/8"	-	-	3358124	4358124	3358123	4358123
10716-9W1H OXO RH or XOO	102 3/8" (2600)	11 3/8"	3303120	-	3303124	4303124	3303123	4303123
10716-6W1H OXO RH or XOO	102 3/8" (2600)	11 3/8"	3303120	-	3363124	4363124	3363123	4363123
10716-9W1H OXO LH or OOX	102 1/8" (2594)	11 3/8"	3303120	-	3303134	4303134	3303133	4303133
10716-6W1H OXO LH or OOX	102 1/8" (2594)	11 3/8"	3303120	-	3323134	4323134	3323133	4323133

LoE <sup>3</sup> 366 Call Number	One Lite and GBG							
	BZ GBG	BZ/BZ GBG	EG GBG	EG/BZ GBG	CS GBG	CS/BZ GBG	EB GBG	EB/BZ GBG
<b>ICADG</b>								
7316-6W1H	3312692	4312692	3312691	4312691	3512694	4912694	3512693	4912693
7316 Prairie Cut-3W2H	3412692	4812692	3412691	4912691	3612694	4712694	3612693	4712693
7316-4W1H	3348122	4348122	3348121	4348121	3548124	4748124	3548123	4748123
7316 (Tempered Obscure)	-	-	-	-	-	-	-	-
<b>ISPDDG</b>								
7216-6W1H	3338122	4338122	3338121	4338121	3538124	4938124	3538123	4938123
7216 Prairie-3W2H	3436122	4838122	3368121	4938121	3668124	4738124	3638123	4738123
7216 -4W1H	3358122	4358122	3358121	4358121	3558124	4758124	3558123	4758123
10716-9W1H OXO RH or XOO	3303122	4303122	3303121	4303121	3503124	4903124	3503123	4903123
10716-6W1H OXO RH or XOO	3363122	4363122	3363121	4363121	3563124	4763124	3563123	4763123
10716-9W1H OXO LH or OOX	3303132	4303132	3303131	4303131	3503134	4903134	3503133	4903133
10716-6W1H OXO LH or OOX	3323132	4323132	3323131	4323131	3523134	4723134	3523133	4723133

**Polygon/Direct Glaze – LoE<sup>3</sup> 366<sup>®</sup>**

LoE <sup>3</sup> 366 Call Number	One Lite and GBG							
	Daylight Opening Width	Daylight Opening Height	One-Lite	Impact Glass	SW GBG	SW/BZ GBG	PB GBG	PB/BZ GBG
<b>ISFDDG</b>								
7216-6W1H	66 5/8"	11 3/8"	3368120	-	3368124	4368124	3368123	4368123
7216 Prairie	66 5/8"	11 3/8"	-	-	3468124	4868124	3468123	4868123
10716-9W1H OXO RH or XOO	102 1/8"	11 3/8"	3303120	-	3307124	4307124	3307123	4307123
10716-6W1H OXO RH or XOO	102 1/8"	11 3/8"	3303120	-	3367124	4367124	3367123	4367123
10716-9W1H OXO LH or OOX	102 1/8"	11 3/8"	3303120	-	3307134	4307134	3307133	4307133
10716-6W1H OXO LH or OOX	102 1/8"	11 3/8"	3303120	-	3367134	4367134	3367133	4367133
<b>IIFDDG / IOFDG</b>								
7216-6W1H	66 5/8"	11 3/8"	3368120	2368125	3368125	4368125	3368133	4368133
7216 Prairie-3W2H	66 5/8"	11 3/8"	-	-	3468125	4868125	3468133	4868133
7216-4W1H	66 5/8"	11 3/8"	3368120	-	3378124	4378124	3378123	4378123
3616-3W1H	31 15/16" (811)	11 3/8"	3333130	2333135	3333134	4333134	3333133	4333133
3616 Prairie-3W2H	31 15/16" (811)	11 3/8"	-	-	3433134	4833134	3433133	4833133
3616-2W1H	31 15/16" (811)	11 3/8"	-	-	3363134	4363134	3363133	4363133
10816-3060-9W1H	102 15/16" (2621)	11 3/8"	3303130	-	3304124	4304124	3304123	4304123
10816-3060-6W1H	102 15/16" (2621)	11 3/8"	3303130	-	3364124	4364124	3364123	4364123
10816-6030-9W1H	102 15/16"	11 3/8"	3303130	-	3304134	4304134	3304133	4304133
10816-6030-6W1H	102 15/16"	11 3/8"	3303130	-	3324134	4324134	3324133	4324133
<b>EVENLY SPACED</b>								
ISFDDG-9W1H ISPDDG 10716	102 1/8"	11 3/8"	-	-	3313134	4313134	3313133	4313133
ISFDDG-6W1H ISPDDG 10716	102 1/8"	11 3/8"	-	-	3373134	4373134	3373133	4373133
IIFDDG-9W1H IOFDDG 10816	102 1/8"	11 3/8"	-	-	3314134	4314134	3314133	4314133
IIFDDG-6W1H IOFDDG 10816	102 1/8"	11 3/8"	-	-	3364134	4364134	3364133	4364133

LoE <sup>3</sup> 366 Call Number	One Lite and GBG							
	BZ GBG	BZ/BZ GBG	EG GBG	EG/BZ GBG	CS GBG	CS/BZ GBG	EB GBG	EB/BZ GBG
<b>ISFDDG</b>								
7216-6W1H	3368122	4368122	3468121	4368121	3568124	4968124	3568123	4968123
7216 Prairie	3436122	4836122	3468121	4968121	3668124	4768124	3668123	4768123
10716-9W1H OXO RH or XOO	3307122	4307122	3307121	4307121	3507124	4907124	3507123	4907123
10716-6W1H OXO RH or XOO	3367122	4367122	3367121	4367121	3567124	4767124	3567123	4767123
10716-9W1H OXO LH or OOX	3307132	4307132	3307131	4307131	3507134	4907134	3507133	4907133
10716-6W1H OXO LH or OOX	3367132	4367132	3367131	4367131	3567134	4767134	3567133	4767133
<b>IIFDDG / IOFDG</b>								
7216-6W1H	3368132	4368132	3368131	4368131	3568134	4968134	3568133	4968133
7216 Prairie-3W2H	3468132	4868132	3468131	4968131	3668134	4768134	3668133	4768133
7216-4W1H	3378122	4378122	3378121	4378121	3578124	4778124	3578123	4778123
3616-3W1H	3333132	4333132	3333131	4333131	3533134	4933134	3533133	4933133
3616 Prairie-3W2H	3433132	4933132	3433131	4933131	3633134	4733134	3633133	4733133
3616-2W1H	3363132	4363132	3363131	4363131	3563134	4763134	3563133	4763133
10816-3060-9W1H	3304122	4304122	3304121	4304121	3504124	4904124	3504123	4904123
10816-3060-6W1H	3364122	4364122	3364121	4364121	3564124	4764124	3564123	4764123
10816-6030-9W1H	3304132	4304132	3304131	4304131	3504134	4904134	3504133	4904133
10816-6030-6W1H	3324132	4324132	3324131	4324131	3524134	4724134	3524133	4724133
<b>EVENLY SPACED</b>								
ISFDDG-9W1H ISPDDG 10716	3313132	4313132	3313131	4313131	3513134	4913134	3513133	4913133
ISFDDG-6W1H ISPDDG 10716	3373132	4373132	3373131	4373131	3573134	4773134	3573133	4773133
IIFDDG-9W1H IOFDDG 10816	3314132	4314132	3314131	4314131	3514134	4914134	3514133	4914133
IIFDDG-6W1H IOFDDG 10816	3364132	4364132	3364131	4364131	3564134	4764134	3564133	4764133

**Polygon/Direct Glaze – LoE<sup>3</sup> 366<sup>®</sup>**

<b>LoE<sup>3</sup> 366</b>	<b>SDL GLASS WITH SPACER BAR</b>				
<b>Call Number</b>	<b>Daylight Opening Width</b>	<b>Daylight Opening Height</b>	<b>Equal Lite Cut</b>	<b>Additional Lite Cut</b>	<b>Prairie Lite Cut</b>
<b>ICADG</b>					
7316 ICA 25 –3W	67 5/8" (1718)	11 3/8" (289)	2369120 – 6W1H	2369120 – 6W1H	2468120 – 3W2H
7316 ICA 37 –2W	67 5/8" (1718)	11 3/8" (289)	2379120 – 6W1H	2579120 – 4W1H	2433130 – 3W2H
<b>ISPDGG</b>					
7216	66 5/8" (1692)	11 3/8"	2368120 – 6W1H	2568120 – 4W1H	2478120 – 3W2H
10716 XOO	102 3/8" (2600)	11 3/8"	2303120 – 9W1H	2503120 – 6W1H	–
10716 OOX	102 3/8" (2600)	11 3/8"	2313120 – 9W1H	2513120 – 6W1H	–
10716 OXO RH	102 1/8" (2594)	11 3/8"	2323120 – 9W1H	2523120 – 6W1H	–
10716 OXO LH	102 1/8" (2594)	11 3/8"	2333120 – 9W1H	2533120 – 6W1H	–
<b>ISFDDG</b>					
7216	66 5/8"	11 3/8"	2378120 – 6W1H	2578120 – 4W1H	2488120 – 3W2H
10716 XOO	102 1/8"	11 3/8"	2343120 – 9W1H	2543120 – 6W1H	–
10716 OOX	102 1/8"	11 3/8"	2353120 – 9W1H	2553120 – 6W1H	–
10716 OXO RH	102 1/8"	11 3/8"	2363120 – 9W1H	2563120 – 6W1H	–
10716 OXO LH	102 1/8"	11 3/8"	2373120 – 9W1H	2573120 – 6W1H	–
<b>IIFDDG</b>					
3616	31 15/16" (811)	11 3/8"	2313130 – 3W1H	2513130 – 2W1H	2479120 – 3W2H
7216	66 5/8"	11 3/8"	2388120 – 6W1H	2588120 – 4W1H	2469120 – 3W2H
10816 3060	102 15/16" (2621)	11 3/8"	2303130 – 9W1H	2503130 – 6W1H	–
10816 6030	102 15/16"	11 3/8"	2323130 – 9W1H	2523130 – 6W1H	–
<b>EVENLY SPACED</b>					
ISFDDG 10716	102 1/8"	11 3/8"	2313134 – 9W1H	2513134 – 6W1H	–
IIFDDG 10816	102 15/16"	11 3/8"	2333130 – 9W1H	2533130 – 6W1H	–

## Polygon/Direct Glaze – LoE 180™

NOTE: Stops (W4160) are included when ordering replacement glass for Integrity Polygon/Direct Glaze.

LoE 180 Call Number	One Lite and GBG							
	Daylight Opening Width	Daylight Opening Height	One-Lite	Tempered	SW GBG	SW/BZ GBG	PB GBG	PB/BZ GBG
<b>ICADG</b>								
7316-6W1H	67 5/8" (1718)	11 3/8" (289)	19369120	19369125	19312694	17312694	19312693	17312693
7316 Prairie-3W2H	67 5/8" (1718)	11 3/8" (289)			29312694	27312694	29312693	27312693
<b>ISPDG</b>								
7216-6W1H	66 5/8" (1692)	11 3/8"	19368120		19338124	17338124	19338123	17338123
7216 Prairie-3W2H	66 5/8" (1692)	11 3/8"			29338124	27338124	29338123	27338123
7216-4W1H	66 5/8" (1692)	11 3/8"			19348124	11348124	19348123	11348123
10716-9W1H OXO RH or XOO	102 3/8" (2600)	11 3/8"	19303120		19303124	17303124	19303123	17303123
10716-6W1H OXO RH or XOO	102 3/8" (2600)	11 3/8"	19303120		19363124	16363124	19363123	16363123
10716-9W1H OXO LH or OOX	102 1/8" (2594)	11 3/8"	19303120		19303134	17303134	19303133	17303133
10716-6W1H OXO LH or OOX	102 1/8" (2594)	11 3/8"	19303120		1933134	16323134	19323133	16323133
<b>ISFDDG</b>								
7216-6W1H	66 5/8"	11 3/8"	19368120		19368124	17368124	19368123	17368123
7216 Prairie-3W2H	66 5/8"	11 3/8"			29368124	27368124	29368123	27368123
7216-4W1H	66 5/8"	11 3/8"	19368120		19358124	11358124	19358123	11358123
10716-9W1H OXO RH or XOO	102 1/8"	11 3/8"	19313120		19307124	17307124	19307123	17307123
10716-6W1H OXO RH or XOO	102 1/8"	11 3/8"	19313120		19367124	16367124	19367123	16367123
10716-9W1H OXO LH or OOX	102 1/8"	11 3/8"	19313120		19307134	17307134	19307133	17307133
10716-6W1H OXO LH or OOX	102 1/8"	11 3/8"	19313120		19367134	16367134	19367133	16367133

LoE 180 Call Number	One Lite and GBG							
	BZ GBG	BZ/BZ GBG	EG GBG	EG/BZ GBG	CS GBG	CS/BZ GBG	EB GBG	EB/BZ GBG
<b>ICADG</b>								
7316-6W1H	19312692	17312692	19312691	17312691	39312694	37312694	38312694	37312693
7316 Prairie-3W2H	29312692	27312692	29312691	27312691	49312694	47312694	48312694	47312693
<b>ISPDG</b>								
7216-6W1H	19338122	17338122	19338121	17338121	39338124	37338124	38338124	37338123
7216 Prairie-3W2H	29338122	27338122	29338121	27338121	49338124	47338124	48338124	47338123
7216-4W1H	19348122	11348122	19348121	11348121	39348124	31348124	48338124	31348123
10716-9W1H OXO RH or XOO	19303122	17303122	19303121	17303121	39303124	37303124	38303124	37303123
10716-6W1H OXO RH or XOO	19363122	16363122	19363121	16363121	39363124	36363124	38363124	36363123
10716-9W1H OXO LH or OOX	19303132	17303132	19303131	17303131	39303134	37303134	38303134	37303133
10716-6W1H OXO LH or OOX	19323132	16323132	19323131	16323131	39323134	36323134	38323134	36323133
<b>ISFDDG</b>								
7216-6W1H	19368122	17368122	19368121	17368121	39368124	37368124	38368124	37368123
7216 Prairie-3W2H	29368122	27368122	29368121	27368121	49368124	47368124	48368124	47368123
7216-4W1H	19358122	11358122	19358121	11358121	39358124	31358124	48368124	31358123
10716-9W1H OXO RH or XOO	19307122	17307122	19307121	17307121	39307124	37307124	38307124	37307123
10716-6W1H OXO RH or XOO	19367122	16367122	19367121	16367121	39367124	36367124	38367124	36367123
10716-9W1H OXO LH or OOX	19307132	17307132	19307131	17307131	39307134	37307134	38307134	37307133
10716-6W1H OXO LH or OOX	19367132	16367132	19367131	16367131	39367134	36367134	38367134	36367133

## Polygon/Direct Glaze – LoE 180™

NOTE: Stops (W4160) are included when ordering replacement glass for Integrity Polygon/Direct Glaze.

LoE 180 Call Number	One Lite and GBG							
	Daylight Opening Width	Daylight Opening Height	One-Lite	Tempered	SW GBG	SW/BZ GBG	PB GBG	PB/BZ GBG
<b>IIFDDG</b>								
7216-6W1H	66 5/8"	11 3/8"	19368120		19368125	17368125	19368133	17368133
7216 Prairie-3W2H	66 5/8"	11 3/8"			29368125	27368125	29368133	27368133
7216-4W1H	66 5/8"	11 3/8"	19368120		19378125	21378124	19378133	21378123
3616-30-3W1H	31 15/16" (811)	11 3/8"	19333130		19333134	17333134	19333133	17333133
3616 Prairie-3W2H	31 15/16" (811)	11 3/8"			29333134	27333134	29333133	27333133
3616-30-2W1H	31 15/16" (811)	11 3/8"	19333130		19363134	11363134	19363133	11363133
10816 3060-9W1H	102 15/16" (2621)	11 3/8"	19303130		19304124	17304124	19304123	17304123
10816 3060-6W1H	102 15/16" (2621)	11 3/8"	19303130		19364124	16364124	19364123	16364123
10816 6030-9W1H	102 15/16"	11 3/8"	19303130		19304134	17304134	19304133	17304133
10816 6030-6W1H	102 15/16"	11 3/8"	19303130		19324134	16324134	19324133	16324133
<b>EVENLY SPACED</b>								
IIFDDG 10816-9W1H	102 15/16"	11 3/8"			19314134	17314134	19314133	17314133
IIFDDG 10816-6W1H	102 15/16"	11 3/8"			19364134	16364134	19364133	16364133
ISFDDG / ISPDDG 10716-9W1H	102 1/8"	11 3/8"			19313134	17313134	19313133	17313133
ISFDDG / ISPDDG 10716-6W1H	102 1/8"	11 3/8"			19373134	16373134	19373133	16373133

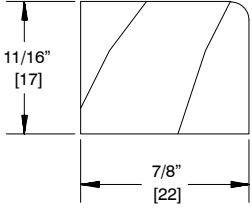
LoE 180 Call Number	One Lite and GBG							
	BZ GBG	BZ/BZ GBG	EG GBG	EG/BZ GBG	CS GBG	CS/BZ GBG	EB GBG	EB/BZ GBG
<b>IIFDDG</b>								
7216-6W1H	19368132	17368132	19368131	17368131	39368134	37368134	38368134	37368133
7216 Prairie-3W2H	29368132	27368132	29368131	27368131	49368134	47368134	38378124	47368133
7216-4W1H	19378132	21378122	19378131	21378121	39378134	31378124	48368134	31378123
3616-30-3W1H	19333132	17333132	19333131	17333131	19333134	37333134	38333134	31333133
3616 Prairie-3W2H	29333132	27333132	29333131	27333131	49333134	47333134	38363134	47333133
3616-30-2W1H	19363132	11363132	19363131	11363131	39363134	31363134	48333134	31363133
10816 3060-9W1H	19304122	17304122	19304121	17304121	39304124	37304124	38304124	37304123
10816 3060-6W1H	19364122	16364122	19364121	16364121	39364124	36364124	38364124	36364123
10816 6030-9W1H	19304132	17304132	19314131	17304131	39304134	37304134	38304134	37304133
10816 6030-6W1H	19324132	16324132	19324131	16324131	39324134	36324134	38324134	36324133
<b>EVENLY SPACED</b>								
IIFDDG 10816-9W1H	19314132	17314132	19314131	17314131	39314134	37314134	38314134	37314133
IIFDDG 10816-6W1H	19364132	16364132	19364131	16364131	39364134	36364134	38364134	36364133
ISFDDG / ISPDDG 10716-9W1H	19313132	17313132	19313131	17313131	39313134	37313134	38313134	31313134
ISFDDG / ISPDDG 10716-6W1H	19373132	16373132	19373131	16373131	39373134	36373134	38373134	36373133



**Polygon/Direct Glaze – LoE 180™**

LoE 180	SDL GLASS WITH SPACER BAR				
Call Number	Daylight Opening Width	Daylight Opening Height	Equal Lite Cut	Additional Lite Cut	Prairie Lite Cut
<b>ICADG</b>					
7316 ICA 25 –3W	67 5/8" (1718)	11 3/8" (289)	19369130 – 6W1H		19468120 – 3W2H
7316 ICA 37 –2W	67 5/8" (1718)	11 3/8" (289)	19379120 – 6W1H	19579120 – 4W1H	19433130 – 3W2H
<b>ISPDG</b>					
7216	66 5/8" (1692)	11 3/8"	19368130 – 6W1H	19568120 – 4W1H	19478120 – 3W2H
10716 XOO	102 3/8" (2600)	11 3/8"	19304120 – 9W1H	19503120 – 6W1H	–
10716 OOX	102 3/8" (2600)	11 3/8"	19313120 – 9W1H	19513120 – 6W1H	–
10716 OXO RH	102 1/8" (2594)	11 3/8"	19323120 – 9W1H	19523120 – 6W1H	–
10716 OXO LH	102 1/8" (2594)	11 3/8"	19333120 – 9W1H	19533120 – 6W1H	–
<b>ISFDDG</b>					
7216	66 5/8"	11 3/8"	19378120 – 6W1H	19578120 – 4W1H	19488120 – 3W2H
10716 XOO	102 1/8"	11 3/8"	19343120 – 9W1H	19543120 – 6W1H	–
10716 OOX	102 1/8"	11 3/8"	19353120 – 9W1H	19553120 – 6W1H	–
10716 OXO RH	102 1/8"	11 3/8"	19363120 – 9W1H	19563120 – 6W1H	–
10716 OXO LH	102 1/8"	11 3/8"	19373120 – 9W1H	19573120 – 6W1H	–
<b>IIFDDG</b>					
3616	31 15/16" (811)	11 3/8"	19313130 – 3W1H	19513130 – 2W1H	19479120 – 3W2H
7216	66 5/8"	11 3/8"	19388120 – 6W1H	19588120 – 4W1H	19469120 – 3W2H
10816 3060	102 15/16" (2621)	11 3/8"	19304130 – 9W1H	19503130 – 6W1H	–
10816 6030	102 15/16"	11 3/8"	19323130 – 9W1H	19523130 – 6W1H	–
<b>EVENLY SPACED</b>					
ISFDDG 10716	102 1/8"	11 3/8"	19330210 – 9W1H	19513134 – 6W1H	–
IIFDDG 10816	102 15/16"	11 3/8"	19340210 – 9W1H	19533130 – 6W1H	–

**WOOD PARTS**

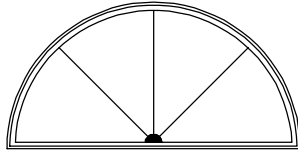
<b>ILLUSTRATION</b> <i>NOT TO SCALE</i>	<b>DESCRIPTION</b>	<b>CALL NUMBER</b>	<b>BARE WOOD PART NO.</b>	<b>WHITE INTERIOR PART NO.</b>
	<b>Replacement Stops –                      Patio Door/Swinging Door                      W4160</b>			
	Complete	CN IRTDR 7336	37901253	39201253
	Elliptical stop only	CN IRTDR 7318	31507318	39207318
	Sill stop only	CN IRTDR 7318	31501755	39201755

NOTE: Stops (W4160) are still available for current size replacements.

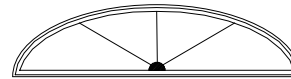
**GLASS**

When ordering replacement glass specify:

1. Description;
2. Part number;
3. Quantity.



**Patio Door/Swinging Door – True Half  
 (RT1)**



**Patio Door/Swinging Door – Elliptical  
 (RT29)**

Call Number	Shape	One-Lite Part Number	Stone White GBG Part Number
IRT 7336 DR	RT1	12697212	12697242
IRT 7318 DR	RT29	12697318	12697252

Tools needed: Safety glasses  
Protective gloves  
Stiff bladed putty knife  
Glazing (flexible) putty knife  
Side cutter,  
Hammer  
Nail set

Parts needed: Replacement glass  
Replacement glazing bead (W4160)  
Two sided adhesive glazing tape (if reusing wood glazing bead)  
Silicone bump-on  
Glass setting blocks  
Dow 1199 silicone sealant or equivalent neutral curing silicone  
1 1/4" 16 gauge brad nails

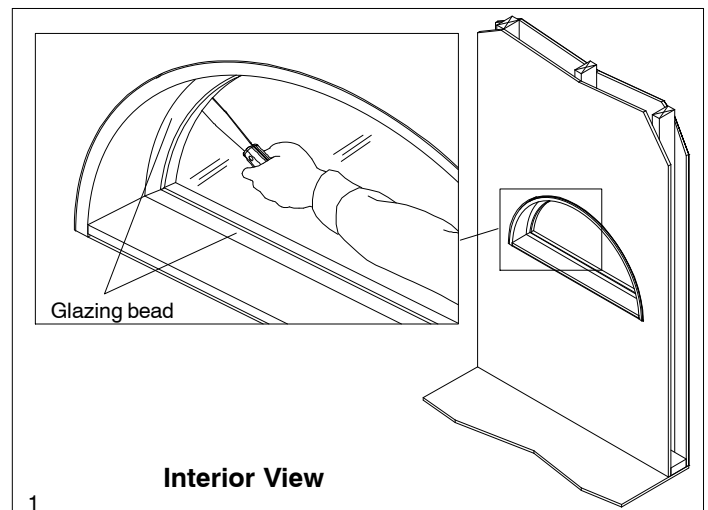
**NOTE:** *It is recommended that new glazing bead be ordered when reglazing Integrity Round Tops. Replacement stops require some minor cutting for proper fit. Existing stops can be reused if no damage occurs during removal.*

**NOTE:** *True half circles shapes shown in illustrations, procedures are identical for elliptical shapes.*

**CAUTION:** **Always use extreme care when reglazing or handling broken glass. Use proper eye and hand protection.**

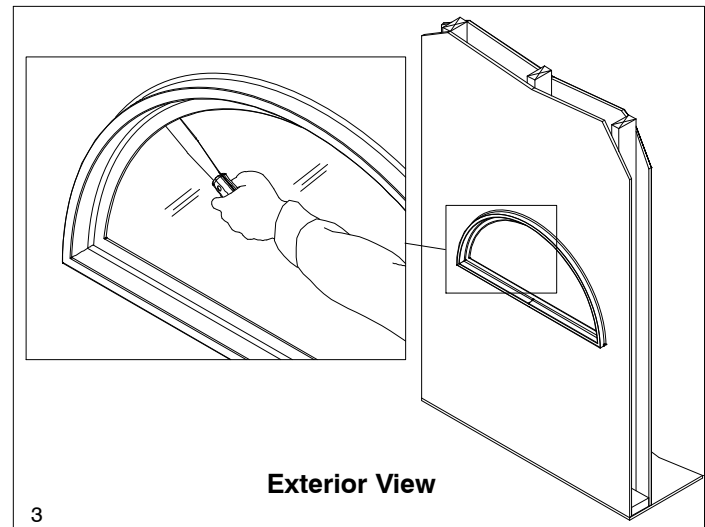
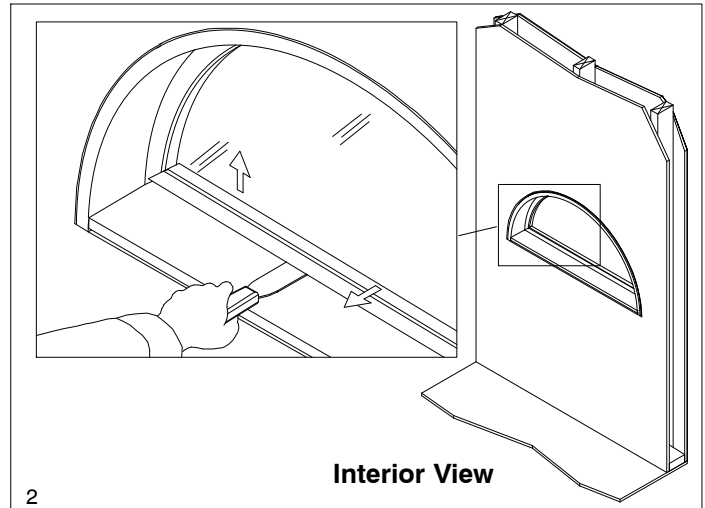
### Removing Old Glass

1. Slide the flexible glazing knife between the wood bead and the glass. Push knife around the perimeter of the glass to loosen the adhesive glazing tape. See illustration 1.



**Removing Old Glass (Continued)**

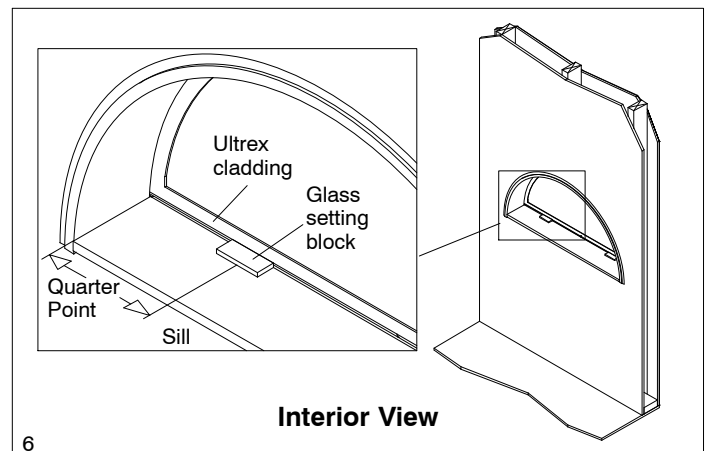
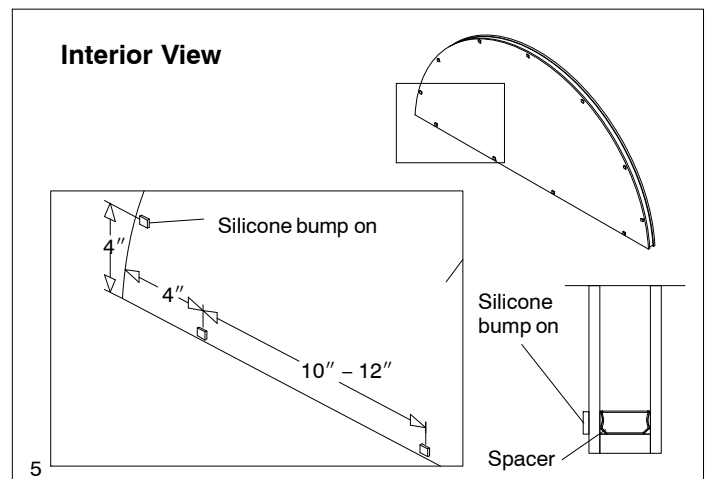
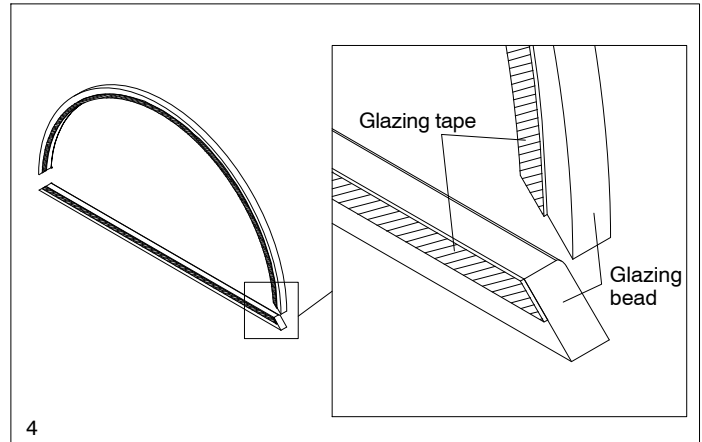
2. Starting at the center of the sill, pry the wood bead up and away from the frame using the stiff putty knife. Be careful not to damage or split wood bead if it is to be reused. See illustration 2.
3. Carefully remove any remaining nails with a side cutter.
4. Using a glazing knife, cut between the exterior Ultrex cladding and glass on all sides. See illustration 3. Start in the middle working toward the corners and pushing away from yourself.
5. Using a stiff putty knife carefully remove glass from the frame by pulling and prying at the same time. Note the location of the glass setting blocks as they can be reused.
6. Once the glass is out, clean any residual silicone from the Ultrex cladding.



## Installing New Glass

**NOTE:** Before proceeding it may be necessary to dry fit replacement wood bead to ensure proper fit. Some trimming or adjustment may be necessary.

1. Remove any glazing tape or adhesive residue remaining on glazing bead (if it is to be reused). Apply glazing tape to the flat surface at the edge of the glazing bead as shown in illustration 4.
2. Apply silicone bump-on on the exterior surface of the new glass centered over the spacer, 4" (102) from each corner and 10–12" (254–305) on center around the perimeter. See illustration 5.
3. Place glass setting blocks in frame against Ultrex cladding at quarter points from the corners on the sill. See illustration 6.



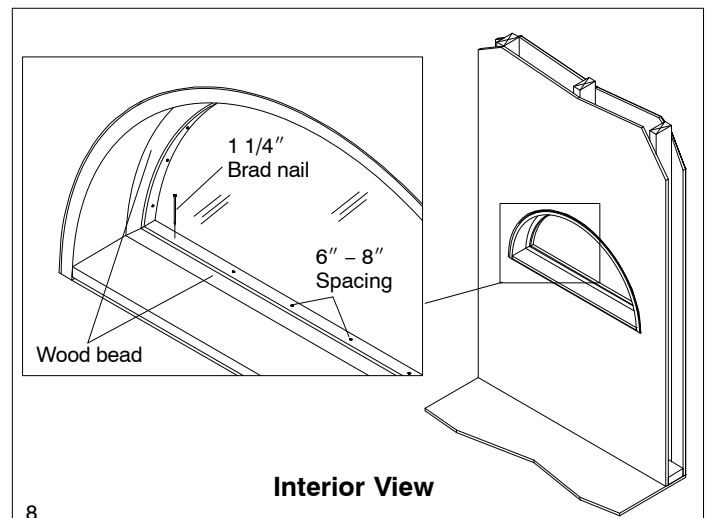
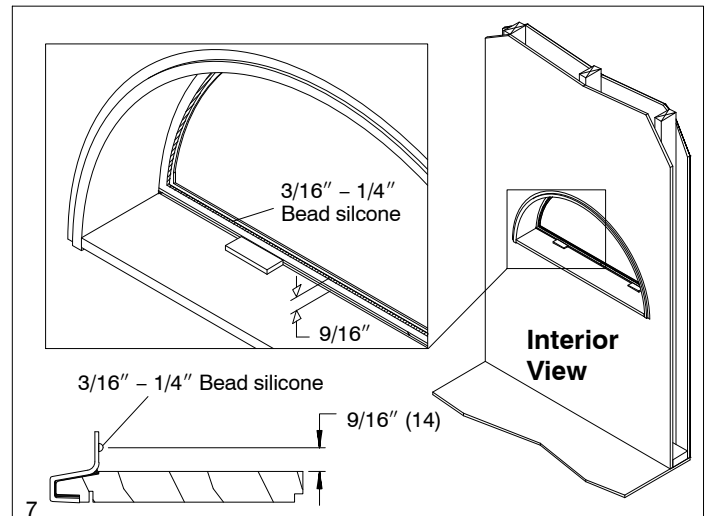
### Installing New Glass (Continued)

4. With a caulking gun, run a  $3/16'' - 1/4''$  (5–6) continuous bead of silicone  $9/16''$  (14) from the wood frame on the interior side of the Ultrex cladding. See illustration 7.

**CAUTION: Always wear proper hand protection when handling and replacing glass.**

5. Install glass in frame, bottom first, then tip into place. Press glass into the silicone to ensure proper squeeze out.
6. Beginning with the radius wood bead remove the backing from the glazing tape and carefully press into place. Repeat the same procedure for the sill bead.
7. When all wood bead is in place press down firmly and nail to the frame  $1/4''$  from the interior side of the wood bead at intervals of  $6'' - 8''$  (152–203) using the  $1\ 1/4''$  16 gauge brad nails. See illustration 8. Countersink nails with nail set.

**NOTE:** *Do not clean excess sealant from the glass or Ultrex until fully cured. Once cured, cut away excess squeeze out with a utility knife.*



Tools needed: Safety glasses  
Glass handling gloves  
Stiff bladed putty knife  
Glazing (flexible) putty knife  
Side cutter  
Hammer  
Nail set

Parts needed: Replacement glass  
Replacement glazing bead (W4160)  
Two sided adhesive glazing tape(if reusing wood glazing bead)  
Dow 1199 silicone sealant or equivalent neutral curing silicone  
Glass setting blocks  
1 1/4" 16 gauge brad nails

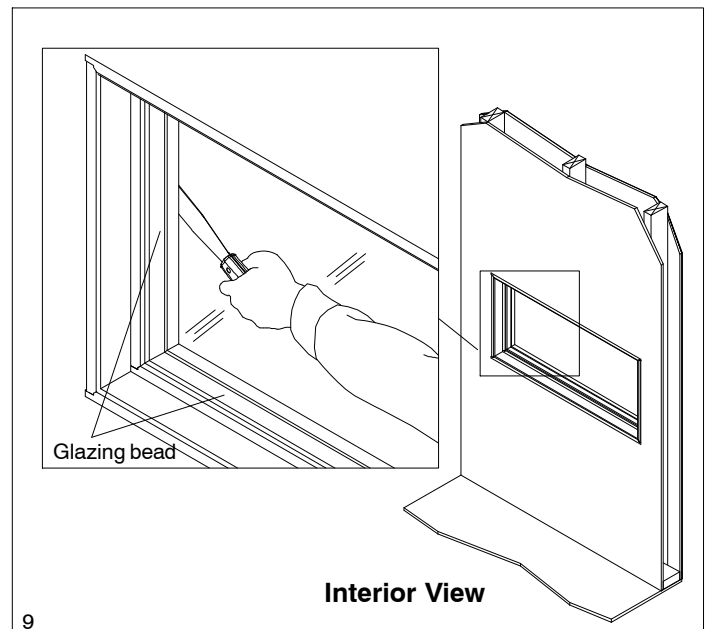
**NOTE:** *It is recommended that new glazing bead be ordered when reglazing Integrity Polygons. Replacement stops require some minor cutting for proper fit. Existing stops can be reused if no damage occurs during removal.*

**NOTE:** *Rectangular shapes shown in illustration, procedures are identical regardless of shape.*

**CAUTION:** **Always use extreme care when reglazing or handling broken glass. Use proper eye and hand protection.**

### Removing old glass

1. Slide the flexible glazing knife between the wood bead and the glass. Push knife around the perimeter of the glass to loosen the adhesive tape glazing. See illustration 9.

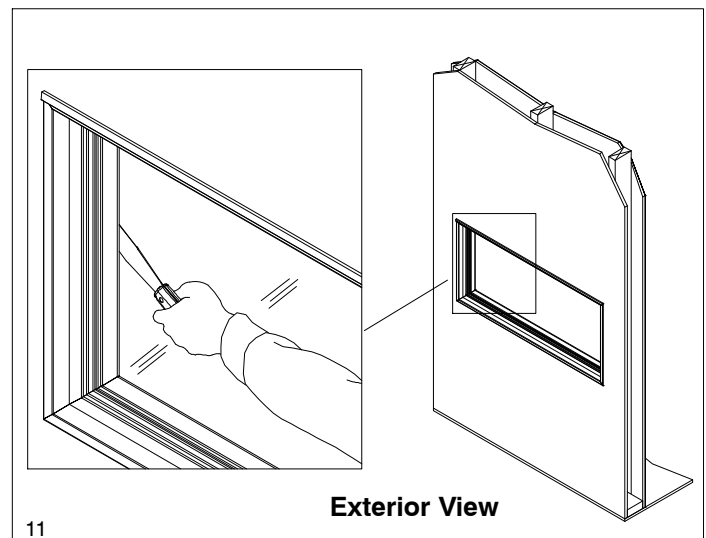
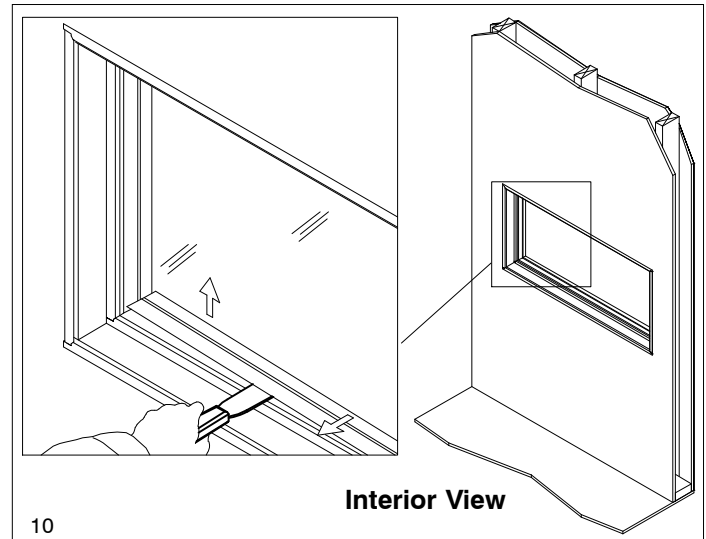




## REGLAZING POLYGON DIRECT GLAZE UNIT

### Removing Old Glass (Continued)

2. Starting at the center of the sill, pry the wood bead up and away from the frame using the stiff putty knife. Be careful not to damage or split wood bead if it is to be reused. See illustration 10.
3. Carefully remove any remaining nails with the side cutter or nail puller.
4. Using the glazing knife, cut between the exterior Ultrex cladding and glass on all sides. See illustration 11. Start in the middle working toward the corners and pushing away from yourself.
5. Using a stiff putty knife carefully remove glass from the frame by pulling and prying at the same time.
6. Once the glass is out, clean any residual silicone from the Ultrex cladding.



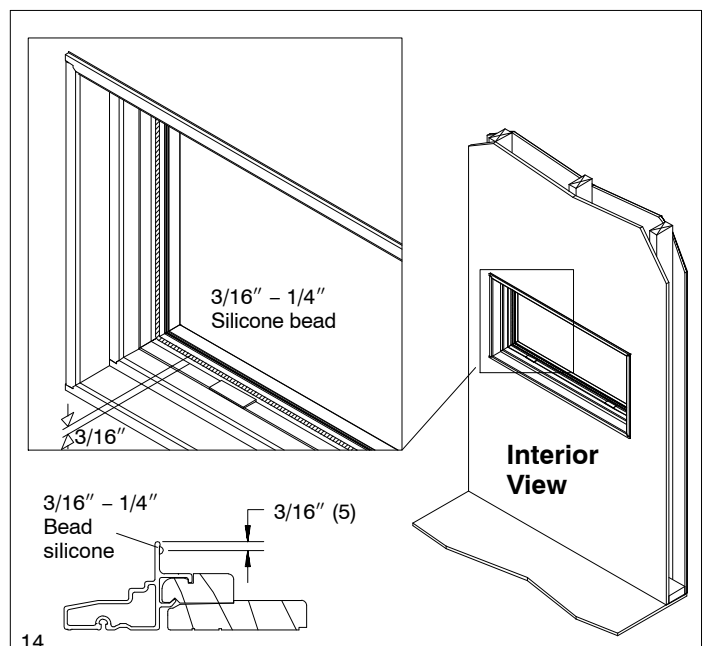
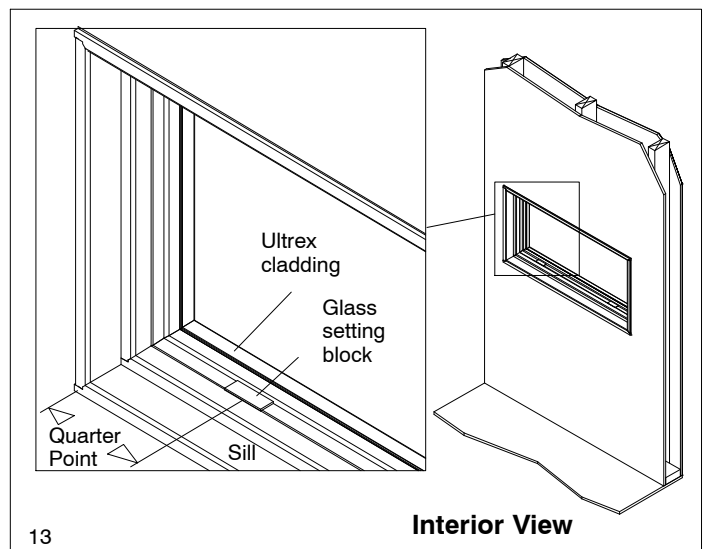
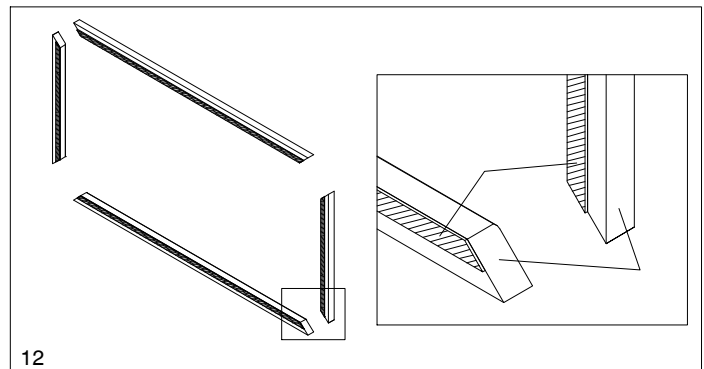
## Installing New Glass

**NOTE:** Before proceeding it may be necessary to dry fit replacement wood bead to ensure proper fit. Some trimming or adjustment may be necessary.

1. Remove any glazing tape or adhesive residue remaining on glazing bead (if it is to be reused). Apply glazing tape to the flat surface at the edge of the glazing bead as shown in illustration 12.
2. Place glass setting blocks in frame against Ultrex cladding at quarter points from the corners on the sill. See illustration 13.
3. With a caulking gun, run a 3/16" – 1/4" (5–6) continuous bead of silicone 3/16" (5) from the edge of the Ultrex cladding. See illustration 14.

**CAUTION:** Always wear proper hand protection when handling and replacing glass.

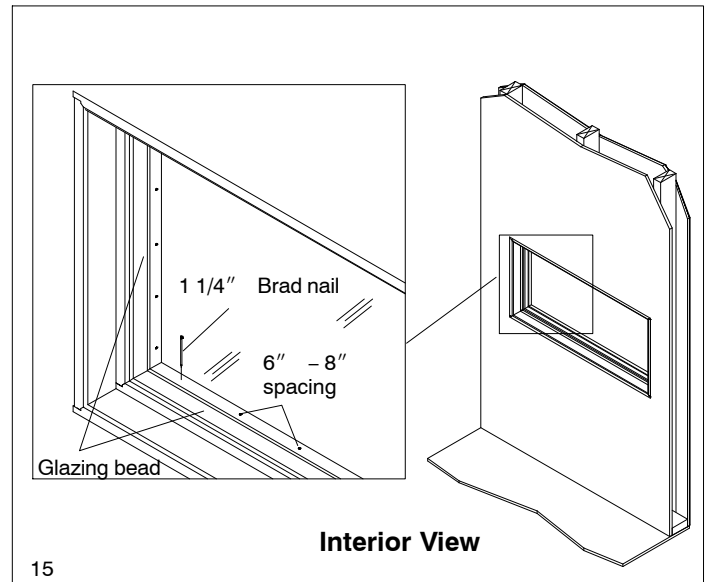
4. Install glass in frame, bottom first, then tip into place. Press glass into the silicone to ensure proper squeeze out.



### Installing New Glass (Continued)

5. Beginning with the two shortest pieces, remove the backing from the glazing tape and carefully press the wood bead into place. Repeat the same procedure for the other sides.
6. When all wood bead is in place press down firmly and nail to the frame 1/4" from the interior side of the wood bead at intervals of 6" – 8" (152–203) using the 1 1/4 16 gauge brad nails. See illustration 15. Countersink nails with nail set.

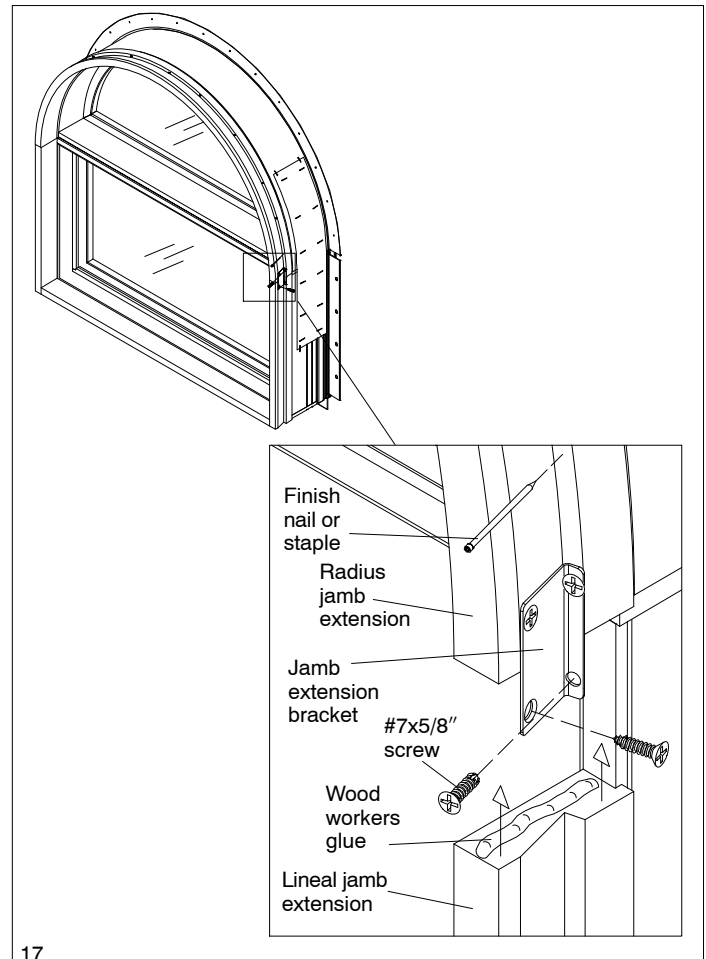
**NOTE:** Do not clean excess sealant from the glass or Ultrex until fully cured. Once cured cut away excess squeeze out with a utility knife.



Tools needed: Safety glasses  
 Hammer  
 #2 Phillips screwdriver or cordless screwdriver  
 Drill  
 Wood workers glue

Parts needed: Jamb extension  
 Jamb extension bracket  
 8– #7 x 5/8" wood screws  
 1/8" x 1 1/8" 18 gauge staples or 4d finish

1. Attach radius jamb extension to the head jamb with 1/8"x1 1/8" 18 gauge staples or 4d finishing nails spaced 3–5" (76–127) apart.
2. Using a #2 Phillips or cordless screwdriver, attach the jamb extension bracket to the radius jamb extension on each side with two #7 x 5/8" wood screws. Apply a bead of woodworkers glue to the butt ends of the radius and lineal jamb extension. See illustration 17.
3. Join the radius and lineal jamb extension and adjust as necessary making sure the two jamb extensions are aligned at the butt joint. Screw the jamb extension bracket to the lineal jamb extension with two #7x5/8" wood screws.
4. Nail the lineal jamb extension to the jamb with 1/8"x1 1/8" 18 gauge staples or 4d finishing nails spaced 3–5" (76–127) apart.
5. Follow installation instructions for installing unit into rough opening or masonry opening.



Tools needed: Safety glasses  
Hammer  
Drill

Parts needed: Jamb extension  
1/8" x 1 1/8" 18 gauge staples or 4d finish nails

1. Fasten jamb extension to head jamb, radiused head jamb, sill or side jambs using 1/8" x 1 1/8" 18 gauge staples or 4d finish nails spaced every 3–5" (76–127). Careful application of staples or nails is required to prevent damage to jamb extension and/or window unit. See illustration 1.
2. Fasten corners of extensions using 1/8" x 1 1/8" 18 gauge staples or 4d finish nails. See illustration 2.
3. Follow installation instructions for installing unit into rough opening or masonry opening.

