

# Integrity Wood-Ultrex Sliding French Door Supplemental Installation Instruction



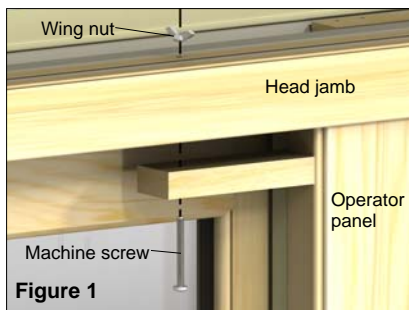
**ABSTRACT:** These instructions are intended as a supplement to the door installation instructions included with the door. Follow those instructions for rough opening preparation, general installation techniques, flashing and sealing steps. These instructions include details on shipping block removal, additional fastening, installing bumper blocks, and removing operator panels. **As always, read all instructions in their ENTIRETY before installing the door.**

Standard Parts Shipped with Unit (Illustrations not to scale)	Description	Quantity Supplied (per kit)			
		XO/ OX	OXO	XOO/ OOX	IZ3
	Nailing Fin Corner Gasket <b>(a)</b>	1	1	1	1
	Operator Bottom Stop Block <b>(b)</b>	1	1		1
	Operator Top Stop Block <b>(c)</b>	1	1		1
	Thumb Tack Bumper <b>(d)</b>	2	2		2
	Door Stop, Beige <b>(e)</b>			1 pair	
	Operator Adjustment Hole Plug <b>(f)</b>	2	2	2	2
	3/8" Wood Flat Head Plug <b>(g)</b>	1	2	2	1
	#8 x 3" Pan Head Screw <b>(h)</b>	10	7	11	12
	3/16" x 2 3/4" Flat Head Masonry Screw <b>(i)</b>	1	2	2	1
	#10 x1 1/2" Pan Head Screw <b>(j)</b>		4		
	Keeper <b>(k)</b>	1	1	1	1

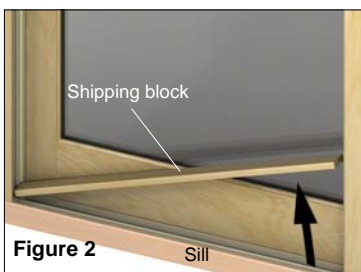
*NOTE: Numbers listed in parentheses are metric equivalents in millimeters rounded to the nearest whole number.*

## Remove Shipping Blocks

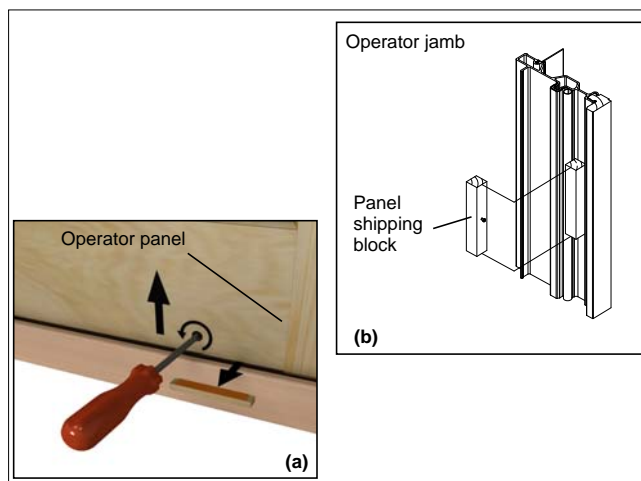
1. From interior side of unit, remove wing nut, machine screw and shipping block from the head jamb. See figure 1.



2. Remove shipping block from the sill between operator panel and stationary side jamb. See figure 2.



3. Adjust the operator panel up to remove the shipping block beneath the panel. See figure 3a. Open operator panel and remove shipping blocks from installation screw holes in the locking jamb. See figure 3b. (3W OXO doors will have shipping blocks applied to the operator panel with adhesive tape. Simply remove.)



**Figure 3**

## Permanently Securing the Unit

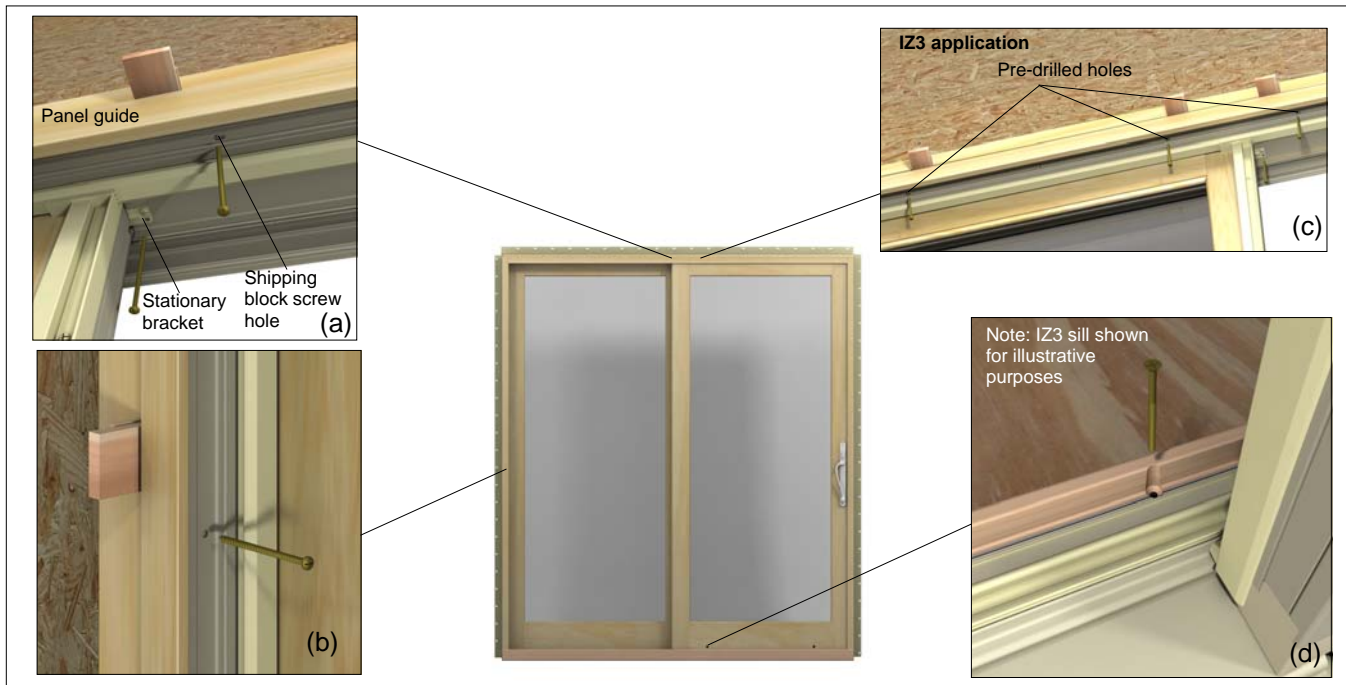


Figure 4

4. Once the unit is square and plumb in the opening, shim between the rough opening header and the unit head jamb within 1"-2" (25-51) of the screw hole(s) in the panel guide where the shipping block was removed. Check the head jamb to be sure it is not bowed up or down. Fasten the unit to the rough opening with #8 x 3" pan head screws provided, through all exposed stationary panel brackets and pre-drilled holes on the jambs. Fasten through the panel guide into the rough opening at all meeting stiles on all installations. (2 brackets on OXO doors) See figure a and figure 4b.



### Impact Products

For IZ3 applications, fasten through every other hole in the head jamb panel guide into the rough opening with the #8 x 3" screws provided. See figure 4c.

5. Secure the oak sill liner to the sub-floor with #3/16 x 2 3/4" flat head masonry anchor provided. Drive screw through the pre-drilled hole(s) on sill liner until countersunk. Apply silicone to the hole and cover with oak plug provided. See figure 4d. Do not pre-drill through sub-floor.



### WARNING

Avoid a choke hazard for small children. Make sure plug is firmly secured in screw hole.

6. In masonry applications, use the pre-drilled hole in sill liner as a guide and drill 2 1/4" (70) into the concrete with a 3/16" (5) masonry bit. Fasten the sill liner to the floor with the masonry screw until the screw is countersunk (penetrating about 1 3/4" (44) into the concrete). Cover with oak plug provided.

## Installing/Adjusting the Strike

7. Install the strike on all doors, with four #8 x 3" pan head screws (#10 x 1 1/2" for OXO configurations) provided. Position strike to center screws in adjustment slots and tighten. Adjust the strike vertically for proper latch engagement if needed. See figure 5.

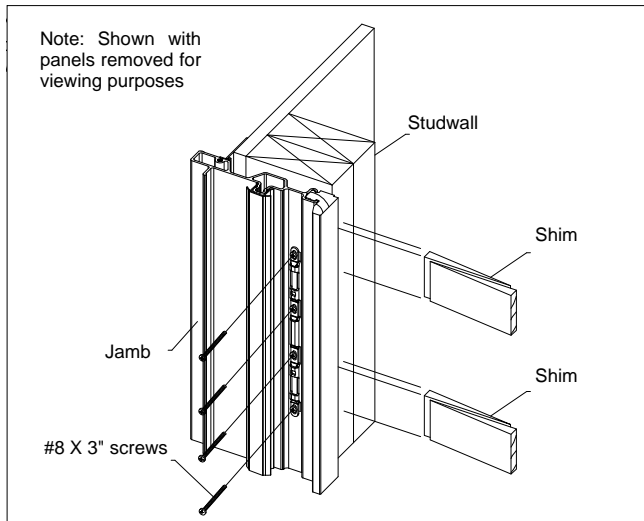


Figure 5

8. After the door and strike are aligned, adjust the latch pull by turning the adjustment screw to move the latch in or out of the mortise lock. The operator panel should be pulled snug by the lock, slight resistance should be felt at the end of the turn lever travel when locking if properly adjusted. See figure 6.

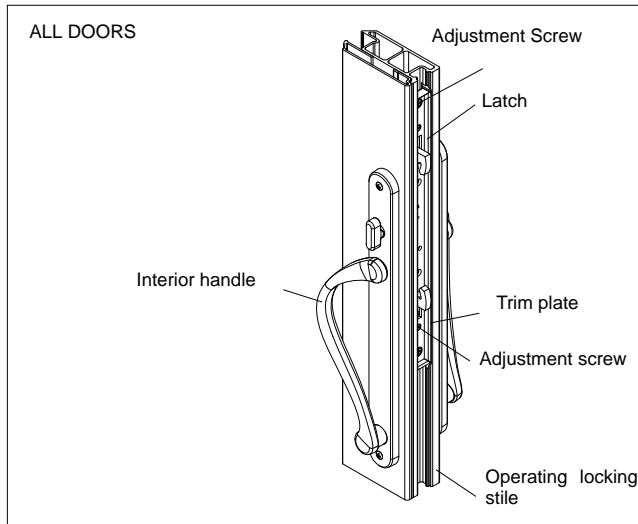


Figure 6

## Installing Panel Bumpers for OX/XO Configurations

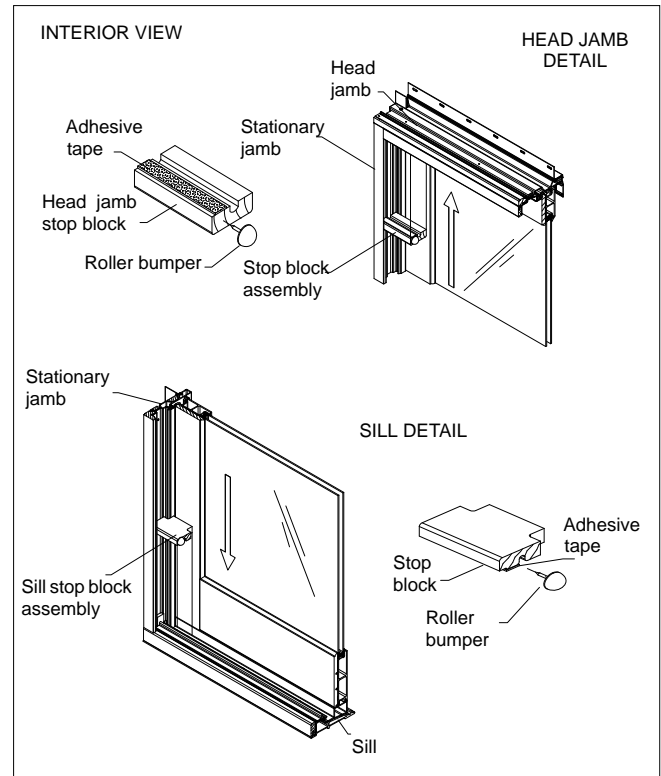


Figure 7

9. The following step does not apply to 3W OOX and XOO configurations. For bumper installation see figure 7. (For reference, adhesive tape is applied to the interior side of the block and is pressed against the head jamb or sill to attach.) Hold each block in place and determine which end to install the bumper in (bumper toward operator panel). Center the bumper on the interior side of the end and tap into block. (See figure 6.) Remove adhesive tape backing from block. Position against the stationary side jamb as shown in figure 7, and press into place. Note that head jamb and sill blocks are different.

**NOTE:** The operating panel stop blocks should be finished to match the door before installation.

## Installing Panel Bumpers for OOX/XOO (3W Configurations Only)

- Attach stop bumpers to top and bottom of stationary panel in pre-drilled holes, ensuring bumper head is positioned towards the operator panel as shown in figure 8.

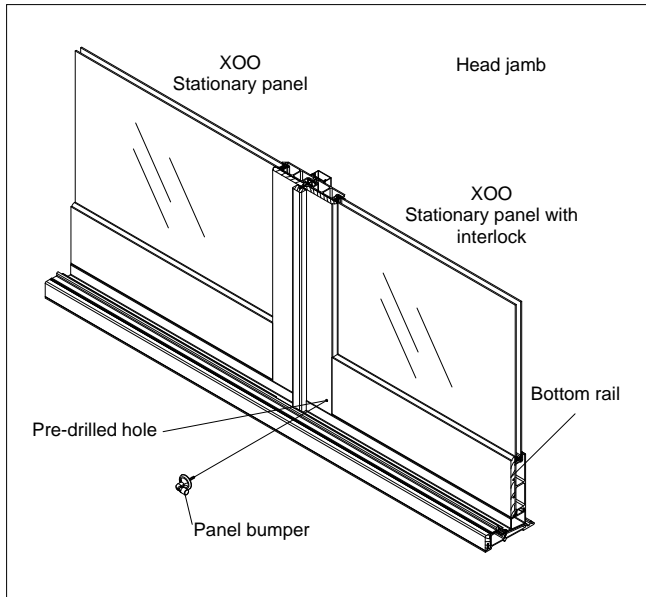


Figure 8

## Operating Panel Removal

- Unlock and open panel. Lower the panel completely (see panel adjustment section in general sliding door instructions). Remove the exposed screws fastening the panel guide to the head jamb. See figure 9.

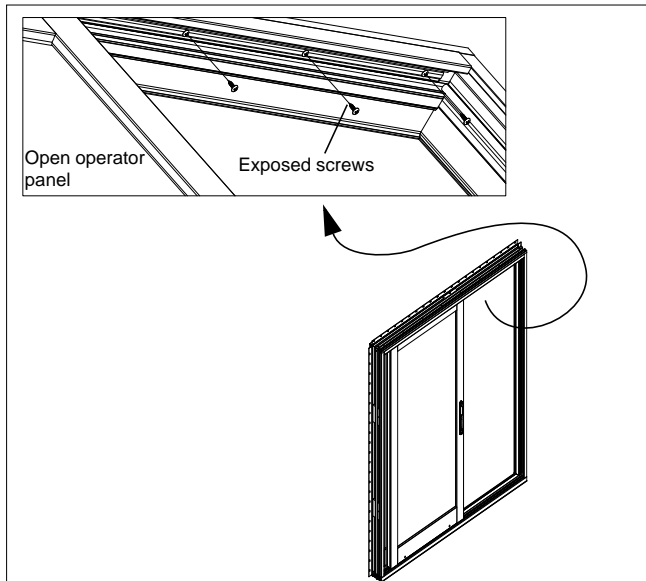


Figure 9

- Close and lock the operator panel. Remove the remaining screws fastening the operator panel guide to the head jamb. Remove the panel guide and fastener from the unit as shown in figure 10.

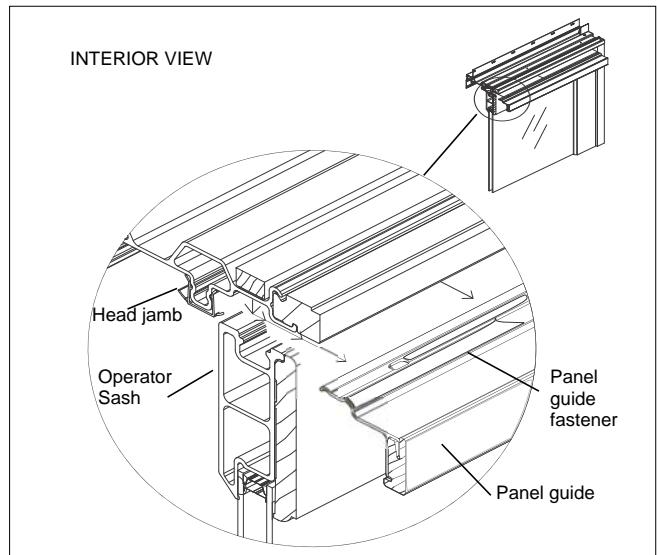


Figure 10

- Unlock panel and slide away from the jamb, grasp stiles, tip the top of panel to the interior trim, carefully lift off sill.
- To reinstall, set bottom rollers on sill track, check to ensure they are properly aligned by sliding the panel along the sill. Slide panel against locking jamb and engage mortise lock, check panel to ensure it is secured to the jamb.
- Reapply panel guide and fastener to head jamb. Secure with the screws removed earlier (on the stationary panel side). Then unlock panel and slide completely open, fasten the panel guide with the remaining screws.
- Check panel for proper operation and adjust if necessary.