

# CASEMENT

## Operator/Stationary Units

<b>Mas. Opp. (mm)</b>	1-4 1/2 (419)	1-8 1/2 (521)	2-0 1/2 (622)	2-4 1/2 (724)	2-8 1/2 (826)	3-0 1/2 (927)
<b>Rgh. Opp. (mm)</b>	1-5 (432)	1-9 (533)	2-1 (635)	2-5 (737)	2-9 (838)	3-1 (940)
<b>Frame Size (mm)</b>	1-4 (406)	1-8 (508)	2-0 (610)	2-4 (711)	2-8 (813)	3-0 (914)
<b>Glass Size (mm)</b>	11 13/16" (300)	15 13/16" (402)	19 13/16" (503)	23 13/16" (605)	27 13/16" (706)	31 13/16" (808)

2-7 3/8 (797) 2-7 5/8 (803) 2-7 1/8 (791) 26 15/16" (684)						
2-11 3/8 (898) 2-11 5/8 (905) 2-11 1/8 (892) 30 15/16" (786)						
3-3 3/8 (1000) 3-3 5/8 (1006) 3-3 1/8 (994) 34 15/16" (887)						
3-7 1/2 (1105) 3-7 3/4 (1111) 3-7 1/4 (1099) 39 1/16" (992)						
3-11 3/8 (1203) 3-11 5/8 (1210) 3-11 1/8 (1197) 42 15/16" (1091)						
4-7 3/8 (1406) 4-7 5/8 (1413) 4-7 1/8 (1400) 50 15/16" (1294)						
4-11 3/8 (1508) 4-11 5/8 (1514) 4-11 1/8 (1502) 54 15/16" (1395)						
5-3 3/8 (1610) 5-3 5/8 (1616) 5-3 1/8 (1603) 58 15/16" (1497)						
5-11 3/8 (1813) 5-11 5/8 (1819) 5-11 1/8 (1807) 66 15/16" (1700)						

Details and Elevations not to scale.

T = Standard Tempered

Optional wood interior Grilles available in standard rectangular lite cut shown.

Optional SDL lite cuts available in several popular configurations, contact your local Integrity from Marvin retailer for details.

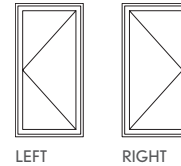
\* These windows meet National Egress Codes for fire evacuation. Local codes may differ.

\*\* 3339 and 3739 meet Egress if installed at proper height from floor.

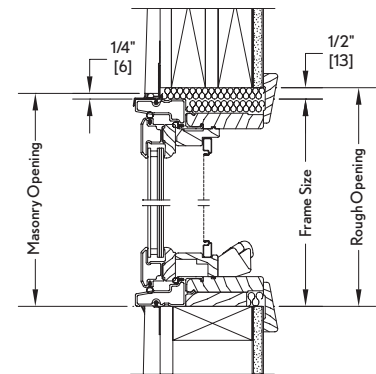
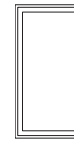
= Obscure Glass Available

## Construction Details

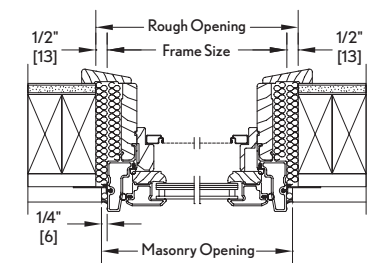
### Operator



### Stationary



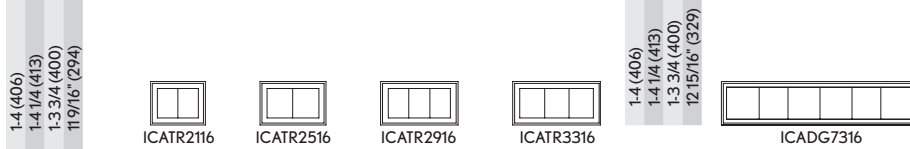
Operator Head Jamb and Sill



Operator Jamb

## In-Sash Transoms

<b>Mas. Opg. (mm)</b>	1-8 1/2 (521)	2-0 1/2 (622)	2-4 1/2 (724)	2-8 1/2 (826)	6-0 1/2 (1842)
<b>Rgh. Opg. (mm)</b>	1-9 (533)	2-1 (635)	2-5 (737)	2-9 (838)	6-1 (1854)
<b>Frame Size (mm)</b>	1-8 (508)	2-0 (610)	2-4 (711)	2-8 (813)	6-0 (1829)
<b>Glass Size (mm)</b>	15 13/16" (402)	19 13/16" (503)	23 13/16" (605)	27 13/16" (706)	69 3/16" (1757)



## Direct Glaze Transom

Details and Elevations not to scale.

T = Standard Tempered

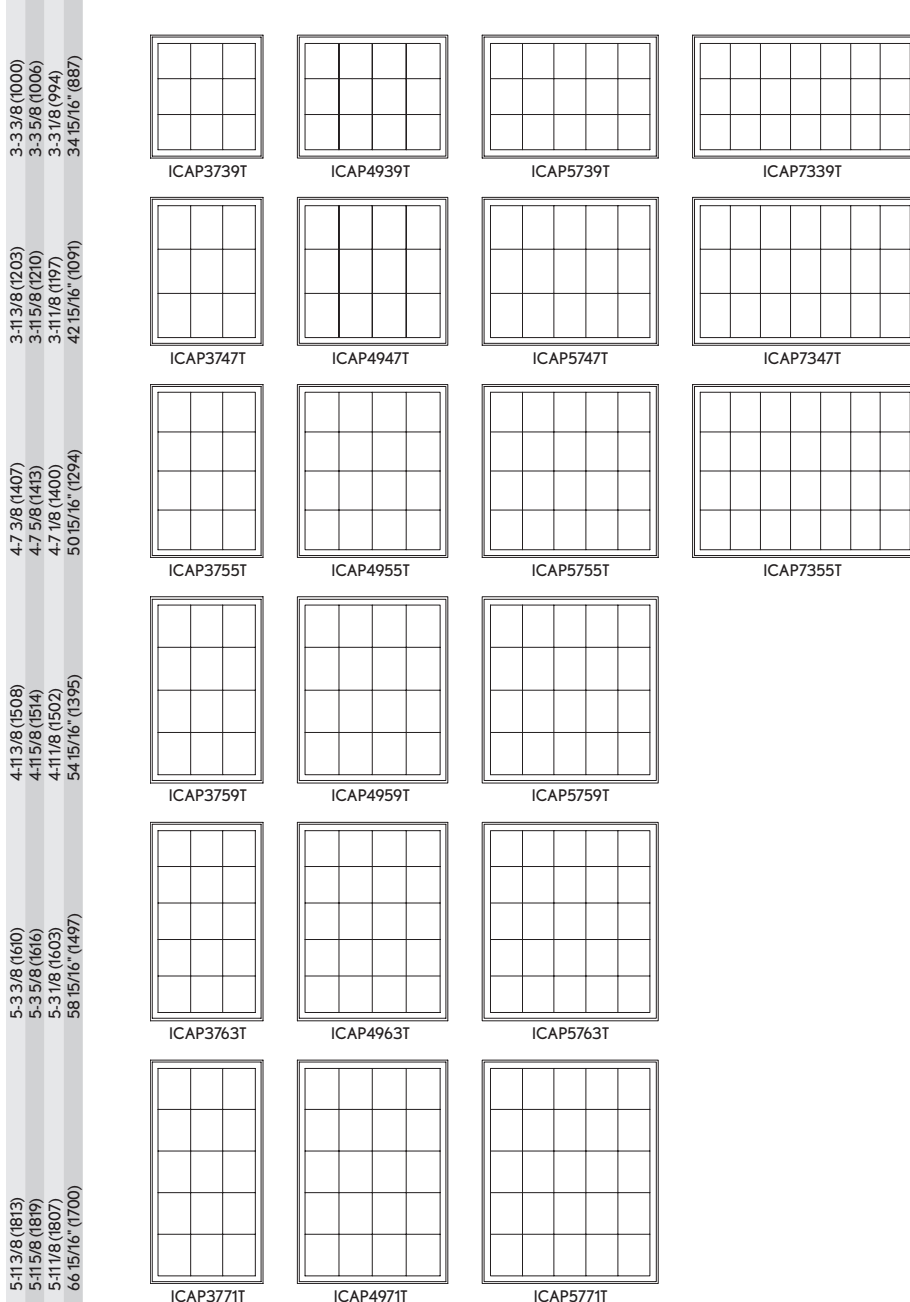
Optional wood interior Grilles available in standard rectangular lite cut shown.

Optional SDL lite cuts available in several popular configurations, contact your local Integrity from Marvin retailer for details.

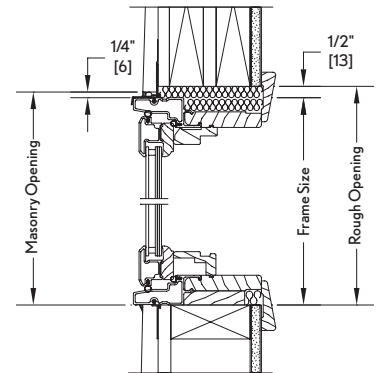
Unequal lite cuts on Direct Glaze Transoms. SDL in an ICADG 7316 will line up over a 25-3W ICA only. Direct Glaze Rectangles also available.

## Picture Unit

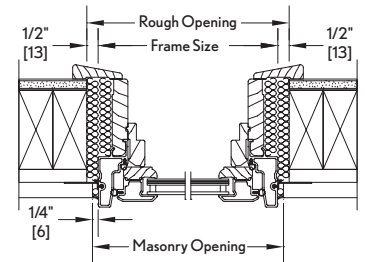
<b>Mas. Opg. (mm)</b>	3-0 1/2 (927)	4-0 1/2 (1232)	4-8 1/2 (1435)	6-0 1/2 (1842)
<b>Rgh. Opg. (mm)</b>	3-1 (940)	4-1 (1245)	4-9 (1448)	6-1 (1854)
<b>Frame Size (mm)</b>	3-0 (914)	4-0 (1219)	4-8 (1422)	6-0 (1829)
<b>Glass Size (mm)</b>	31 13/16" (808)	43 13/16" (1113)	51 13/16" (1316)	67 13/16" (1722)



## Construction Details



Stationary Head Jamb and Sill



Stationary Jamb

