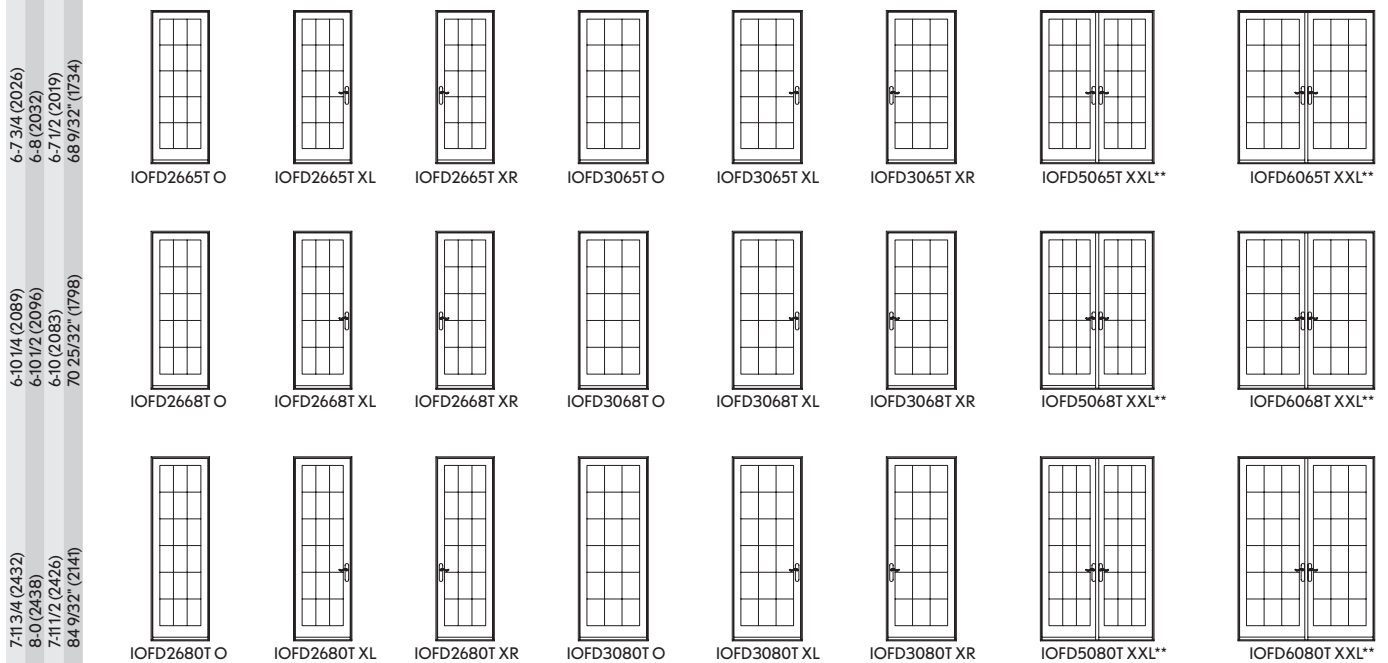


# OUTSWING FRENCH DOOR

Outswing French Doors (Also available in 6-5 and 8-0 heights)

<b>Mas. Opg. (mm)</b>	2-6 13/16 (783)	3-0 13/16 (935)	4-11 1/2 (1511)	5-11 1/2 (1816)
<b>Rgh. Opg. (mm)</b>	2-7 5/16 (796)	3-1 5/16 (948)	5-0 (1524)	6-0 (1829)
<b>Frame Size (mm)</b>	2-6 5/16 (770)	3-0 5/16 (923)	4-11 (1499)	5-11 (1803)
<b>Glass Size (mm)</b>	22 19/32" (574)	28 19/32" (726)	22 19/32" (574)	28 19/32" (726)

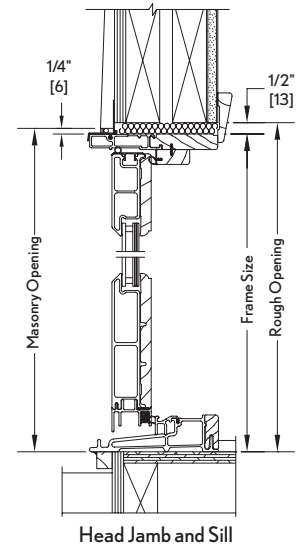


## Outswing French Door Direct Glaze Transoms

<b>Mas. Opg. (mm)</b>	3-0 13/16 (935)	5-11 1/2 (1816)	8-11 13/16 (2738)
<b>Rgh. Opg. (mm)</b>	3-1 5/16 (948)	6-0 (1829)	9-0 5/16 (2751)
<b>Frame Size (mm)</b>	3-0 5/16 (923)	5-11 (1803)	8-11 5/16 (2726)
<b>Glass Size (mm)</b>	33 1/2" (851)	68 3/16" (1732)	104 1/2" (2654)

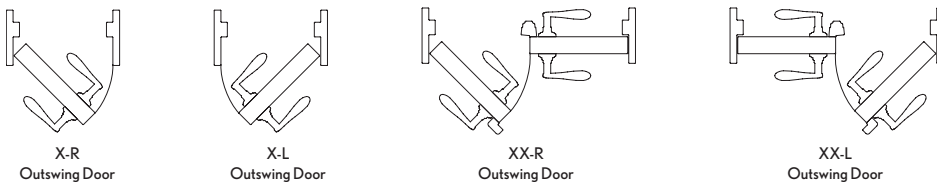


## Construction Details



## Outswing Door Operation

X signifies an operating door panel, O means stationary. Listing the panels in a door starts from the left to the right, looking from the exterior.



Details and Elevations not to scale.

T = Standard Tempered

O = Stationary X = Operator

L = Left Hand Panel R = Right Hand Panel

Optional wood interior Grilles available in standard rectangular lite cut shown.

Optional SDL lite cuts available in several popular configurations, contact your local Integrity from Marvin retailer for details.

\*\*2 and 3 panel XX configurations also available in XX R.

Transom units have a 2" jamb extension for 6-9/16" jamb or a 2-1/4" jamb extension for 6-13/16" jamb. When ordering 6-9/16" or 6-13/16" jamb, add 1/4" to width and 1/8" to height of Frame Size (FS), Rough Opening (RO), or Masonry Opening (MO).

