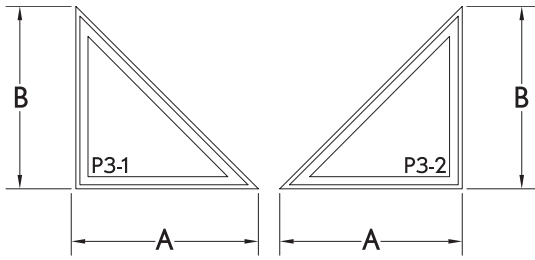
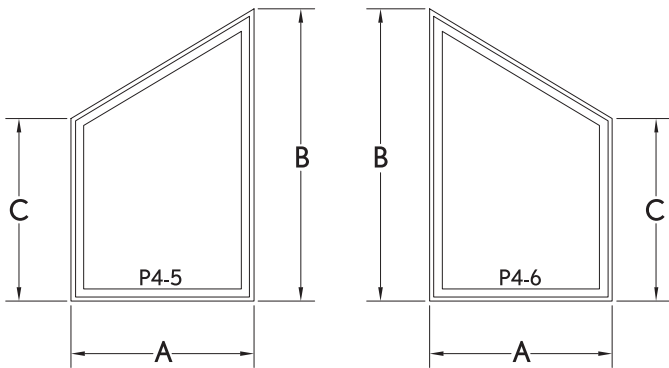


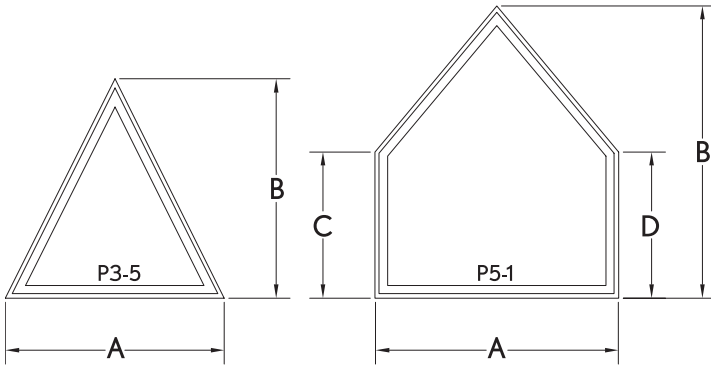
POLYGON



90° TRIANGLE

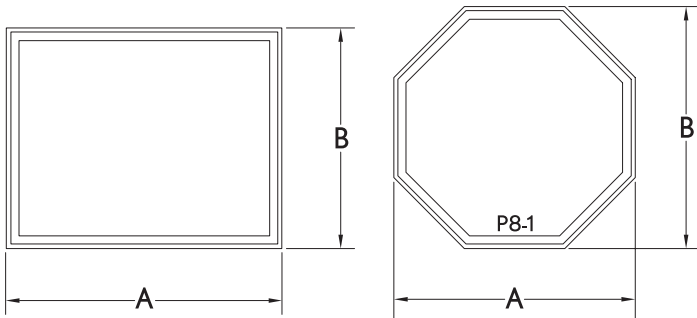


TRAPEZOID



ISOSCELES TRIANGLE

PENTAGON



90° RECTANGLE

OCTAGON

How to Specify

When ordering a Trapezoid, Triangle, or Rectangle window, provide a sketch of the unit as viewed from the exterior, also include key Rough Opening dimensions.

Example: To order a window of a Trapezoid opening provide the measurements of A, B, and C as indicated. For other shapes, give the dimensions shown.

To ensure the proper unit for field mulling applications, specify CA/AWN or DH/DR frame type.

SPECIFICATION NOTES:

Maximum rough opening: 48 sq. ft. (44,593 sq. cm.)

Maximum 97" (2464 mm) rough opening width.

Maximum 96 1/2" (2451 mm) rough opening height.

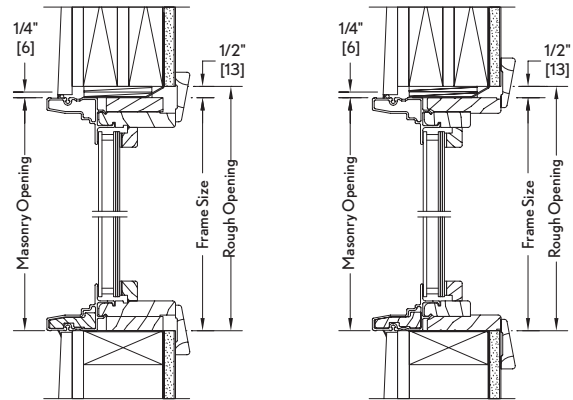
Minimum 13 7/8" (352 mm) rough opening width rectangular; P3-1, P3-2, P3-5, P4-5, P4-6, P5-1 units.

Minimum 13 3/8" (340 mm) rough opening height rectangular; P3-1, P3-2, P3-5, P4-5, P4-6, P5-1 units.

Minimum 19 1/8" (486 mm) rough opening width & height P8-1 units

Minimum 8" (203 mm) rough opening for shortest leg— P3-1, P3-2, P3-5, P4-5, P4-6, P5-1, and P8-1 units

Construction Details



Casement Polygon Head Jamb and Sill

Optional wood interior Grilles and SDLs are available on Direct Glaze Rectangles only. Lite cut patterns dependent on unit sizing. Contact your local Integrity from Marvin retailer for details.

All special shapes and rectangles are Standard Tempered.